

R8711 - R8712 - R8713
R8911 - R8912 - R8913
R8721 - R8722 - R8723
R8921 - R8922
R8732 - R8733
R8734 - R8735

Day care changing table – Operation and maintenance manual	en
Puslebord – Brugs- og vedligeholdelsesvejledning	dk
Wickeltische – Gebrauchs- und Pflegeanleitung	de
Tables à langer – Manuel d'utilisation et d'entretien	fr
Aankleedtafels – Gebruiks- en onderhoudshandleiding	nl
Skötbord – Bruks- och underhållsanvisning	sv
Stellebord – Bruks- og vedlikeholdsveiledning	no
Hoitopöytä päivähöitoon – käyttö- ja huolto-opas	fi
Cambiador - Instrucciones de uso y mantenimiento	es
Przewijak – Instrukcja obsługi i konserwacji	pl
换洗床 - 操作和维护手册	中文

English	14
Dansk	27
Deutsch	40
Français	53
Nederlands	66
Svenska	79
Norsk	92
Suomi	105
Español	118
Polski	131
中文	144



en	The warranty covers faults or defects in the material of our products within a period of 3 years from date of invoice. Products subject to minor technical modifications and design deviations E. & O.E.
dk	Garantien dækker i 3 år fra fakturadato for materiale- og fabrikationsfejl. Der tages forbehold for trykfejl, tekniske ændringer og modelafvigelser.
de	Die Garantie gilt für drei Jahre ab Rechnungsdatum für Material- und Herstellungsfehler. Druckfehler, technische Änderungen und Modellabweichungen vorbehalten.
fr	La garantie couvre les vices de fabrication et de matériaux pour une durée de 3 ans à partir de la date de facturation. Sous réserve de modifications techniques et d'erreurs d'impression.
nl	De garantie is tot 3 jaar na factuurdatum geldig voor materiaal- en fabricagefouten. Onder voorbehoud van drukfouten, technische wijzigingen en modelafwijkingen.
sv	Garantin gäller i 3 år från fakturadatum för material- och fabrikationsfel. Med reservation för tryckfel, tekniska ändringar och modellavvikelser.
no	Garantien gjelder i 3 år fra fakturadato for material- og fabriksjonsfeil. Med forbehold for trykkfeil, tekniske endringer og modellforskjeller.
fi	Takuu kattaa tuotteidemme materiaali- tai -puutteet 3 vuoden sisällä laskun päiväyksestä. Tuotteisiin voi kohdistua pieniä teknisiä muutoksia ja suunnittelupoikkeamia (vikoja ja puutteita lukuun ottamatta).
es	La garantía cubre fallos de material o fabricación durante los 3 años posteriores a partir de la fecha de factura. Mantenemos reservas en caso de problemas de presión, modificaciones técnicas y variaciones de modelo.
pl	Trzyletnia gwarancja obejmuje usterki oraz wady produkcyjne i materiałowe. Produkty mogą ulec nieznacznym zmianom technicznym i projektowym. Zastrzegamy sobie prawo do błędów i pominieć.
中文	保修涵盖 3 年内出现的材料或制造故障或缺陷。产品的技术和设计可能稍微发生变化，恕不另行通知。

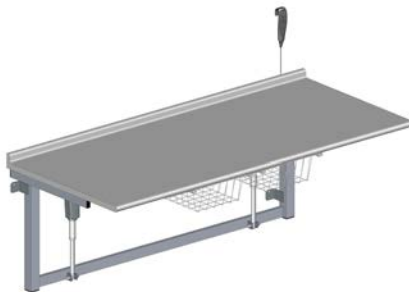
REF



R8711, R8911



R8712, R8912



R8713, R8913

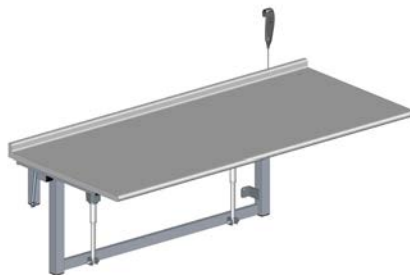
REF



R8721, R8921



R8722, R8922



R8723

REF

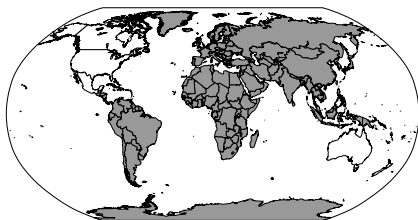


R8732, R8734



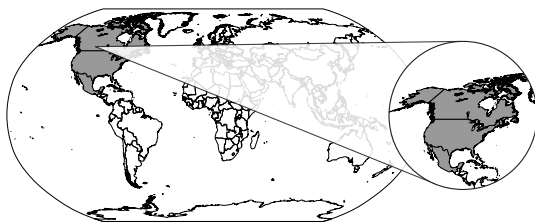
R8733, R8735

R8711, R8712, R8713, R8721, R8722, R8723, R8732, R8733, R8734, R8735

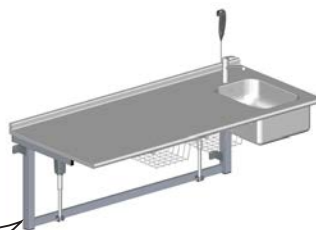
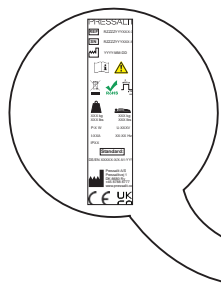


230V

R8911, R8912, R8913, R8921, R8922

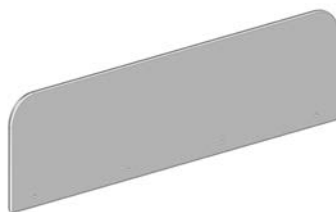


120V





R8690, R8694, R8698



R8708



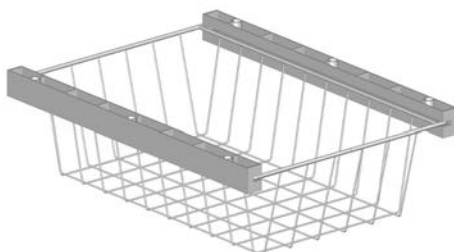
R8700, R8701, R0702,
R8703, R8704, R0705



R8709







LB8832



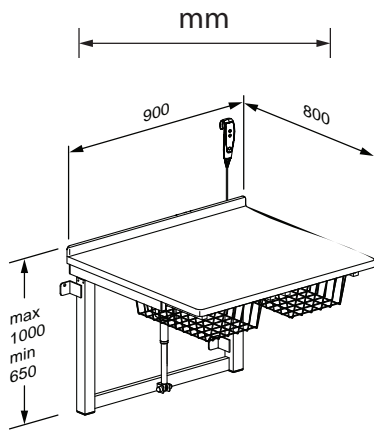
V8585



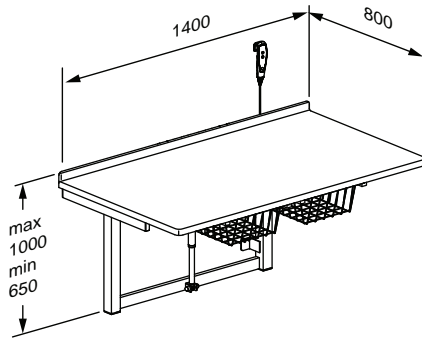
	 	 
R8711, R8911	33 kg / 73 lbs	75 kg / 165 lbs
R8712, R8912	40 / 88 lbs	75 kg / 165 lbs
R8713, R8913	50 / 110 lbs	150 / 330 lbs
R8721, R8921	35 / 77 lbs	75 kg / 165 lbs
R8722, R8922	42 / 93 lbs	75 kg / 165 lbs
R8723	52 / 115 lbs	150 / 330 lbs
R8732, R8734	46 / 101 lbs	75 kg / 165 lbs
R8733, R8735	55 / 121 lbs	150 / 330 lbs



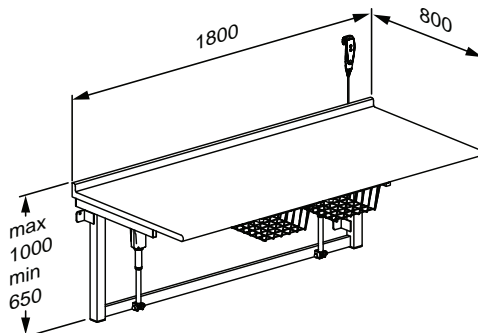
	Max P	U	Max I
R8711, R8712, R8721 R8722, R8732	75W	230V	0.3
R8911, R8912 R8921, R8922	75W	120V	0.7
R8713, R8723 R8733, R8735	150W	230V	0.7
R8913	150W	120V	1.4



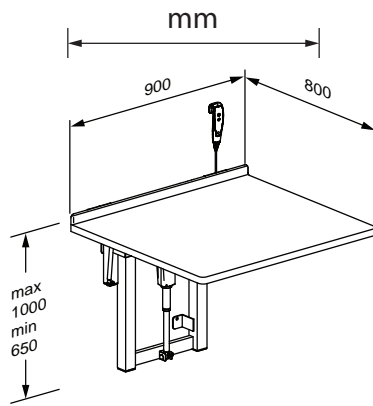
R8711, R8911



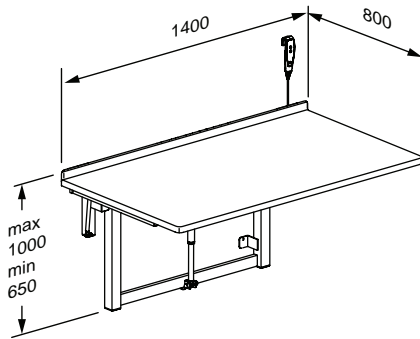
R8712, R8912



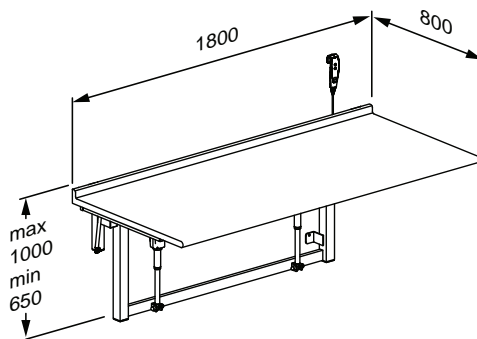
R8713, R8913



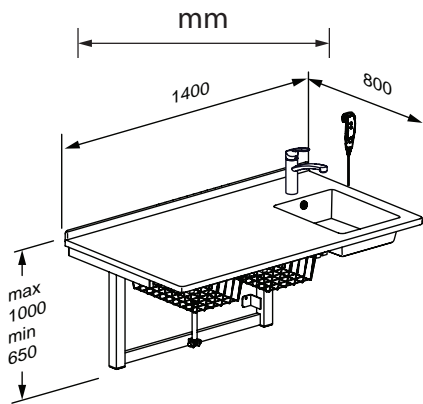
R8721, R8921



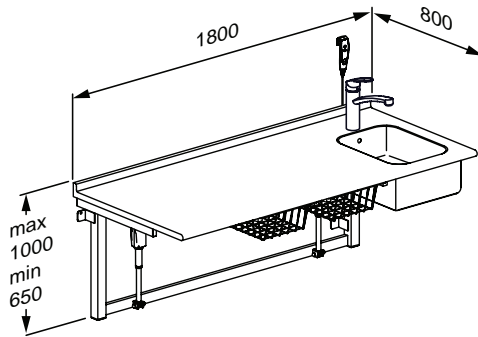
R8722, R8922



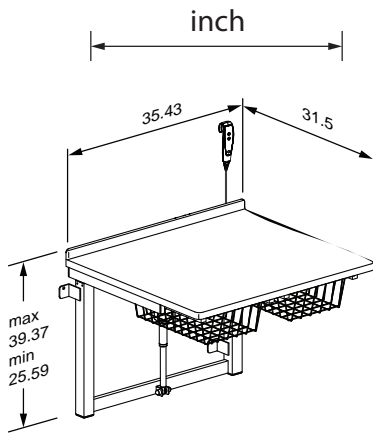
R8723



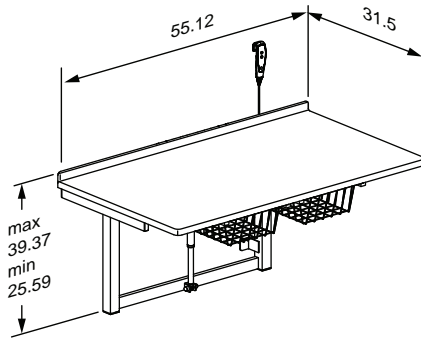
R8732, R8734



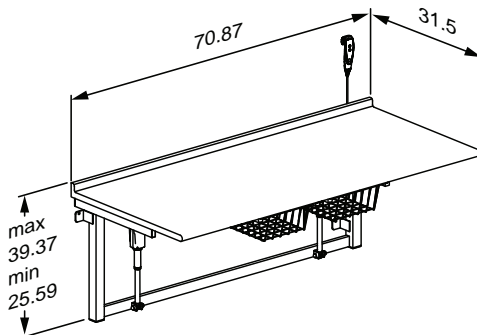
R8733, R8735



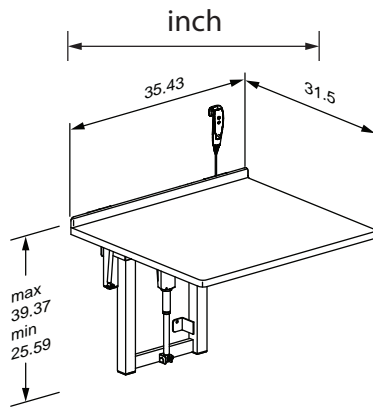
R8711, R8911



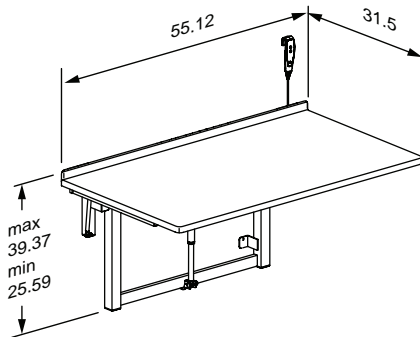
R8712, R8912



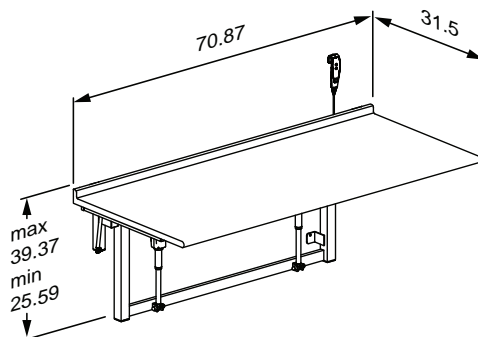
R8713, R8913



R8721, R8921



R8722, R8922



R8723

Content

Mounting instruction	14
Operational signage	14
Symbols used in this manual	15
General safety	16
Safety distances	17
Intended use	18
Intended operator profile	18
Operating environment	18
Operating instructions	19
Folding up and down	20
Cleaning	21
Maintenance	22
Maintenance inspection	22
Product label	23
Trouble-shooting	25
Storage and transportation	26
Disposal and recycling	26

en

Mounting instruction



A mounting instruction is included with the product. It can also be downloaded from pressalit.com.

Operational signage



An operational signage can be downloaded from pressalit.com.

IMPORTANT

RETAIN THIS MANUAL FOR FUTURE REFERENCE. READ CAREFULLY.

Original instructions

Symbols used in this manual

The following symbols are used in this manual as well as the associated documentation supplied with the product.

 WARNING		<p>WARNING indicates a potentially hazardous situation which, if not avoided, could result in death or serious injury.</p>	
 CAUTION		<p>CAUTION indicates a potentially hazardous situation which, if not avoided, may result in minor or moderate injury. It may also be used to alert against unsafe practices.</p>	
IMPORTANT		<p>IMPORTANT indicates important information about handling and use of the product.</p>	
NOTICE		<p>NOTICE is used to address practices not related to personal safety.</p>	
 <p>Head injury warning</p>	 <p>Hand injury warning</p>	 <p>Feet injury warning</p>	 <p>Electricity / voltage warning</p>
 <p>Strong heat warning</p>	 <p>Do not leave child unattended</p>	 <p>Compatible products</p>	 <p>Spare parts</p>
 <p>Power specifications</p>	 <p>Product weight</p>	 <p>Max. user weight</p>	 <p>Article number / versions</p>

en

General safety

WARNING

- Read and understand the manual completely before use. Keep the manual close to the unit.
- Comply with this manual to avoid accidents involving serious personal injury.
- Never use or handle this product in other ways than specified in this manual, as this can put your safety at risk and cause damage to the product.
- Make sure that everyone who is to install or use the product and its systems has the necessary information and access to this manual.

CAUTION

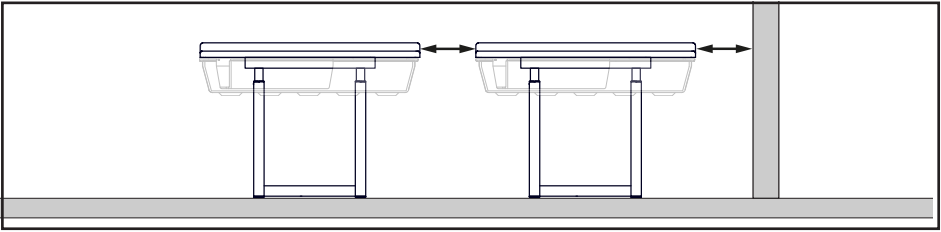
- Please comply with these instructions to avoid the product becoming damaged or destroyed.
- Do not perform repairs, disassembly, or assembly operations, extensions, re-adjustments or modifications to this product. These must be carried out by Pressalit or by persons authorized by Pressalit only.
- Never allow children to operate this product unless under supervision. The product is not intended for play.
- Never use the product if it is defective or damaged. Do not use a defective product before it has been repaired.




NOTICE

- The information in this manual is based on correct fitting of the product in accordance with our mounting instruction.
- Pressalit cannot be held liable if the product is used in any way which differs from that described in the guide.
- We reserve the right to amend this manual without prior notice.

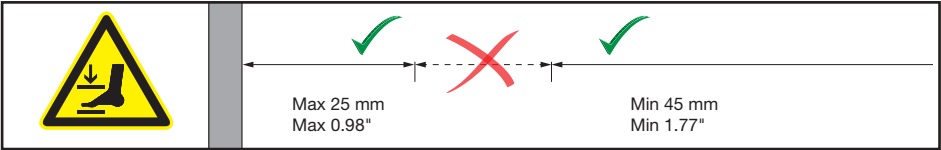
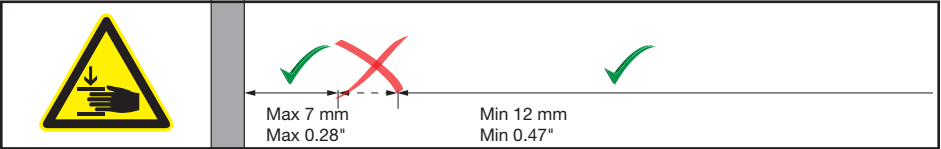
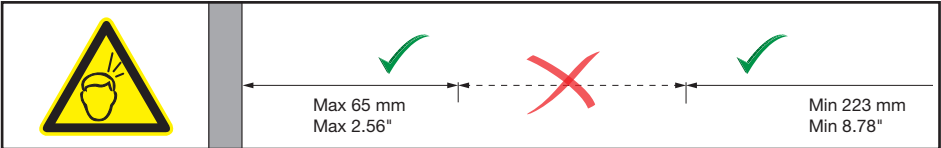
Safety distances

Make sure that the changing table is at safe distance from surrounding objects. Check the distances before any use.



	EN 12221-1:2008	Pressalit recommends
	Max 65 mm (2.56") Min 223 mm (8.78")	Max 60 mm (2.36") Min 300 mm (11.81")
	Max 7 mm (0.28") Min 12 mm (0.47")	Max 4 mm (0.16") Min 25 mm (0.98")
	Max 25 mm (0.98") Min 45 mm (1.77")	Max 8 mm (0.31") Min 120 mm (4.72")

en



Intended use

This product is intended for optimum ergonomics when caring for children.

When using a changing table with one actuator, the weight of the child must not exceed 75 kg / 165 lbs.

When using a changing table with two actuators, the weight of the child must not exceed 150 kg / 330 lbs.

Intended operator profile

The product shall only be operated by adults.

Operating environment

The product is intended to be used indoor at room temperature under normal working conditions.

Life cycle test performed according to ISO 17966:2016.

This product is tested according to DS/EN 12221-1 and 12221-2.

en



Do not leave the child unattended.



Be aware of the risk of open fires and other sources of strong heat, such as electric bar fires, gas fires, etc. in the near vicinity of the changing table.



CAUTION

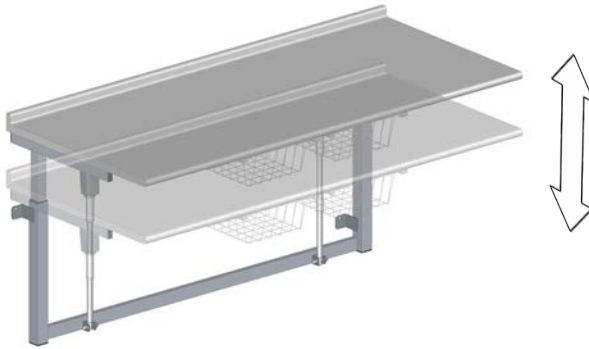
Never allow children to operate this product without supervision.

NOTICE

Always place the child on a changing table mattress and not directly on the table.

Operating instructions

The changing table can be adjusted from 650 to 1000 mm / 25 to 39 inches up and down.



The height adjustment is controlled by the wired remote control unit.



Press and hold the up button to raise the unit. When the button is released, the motion stops.



Press and hold the down button to lower the unit. When the button is released, the motion stops.

en



To avoid the risk of strangulation, make sure that the wired remote control is placed in its holder when not in use.



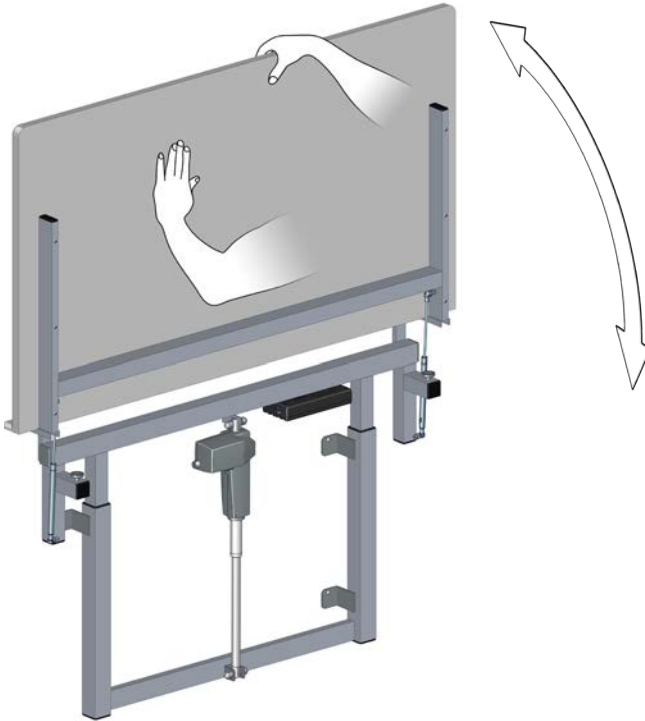
Take care to avoid injury to hands and head when in the vicinity of moving mechanical parts.



Never place objects underneath the changing table.

Folding up and down

The models R8721, R8921, R8722, R8922, R8723 can be folded up against the wall after use.



en

When folding the table up and down, make sure you support the lying surface using your hand and/or body to avoid risk of damage.

The built-in pneumatic gas cylinders make it easy to fold the table up and down.



Take care to avoid injury to hands and head when in the vicinity of moving mechanical parts.

Cleaning

The product is to be cleaned with hot water or a mild soapy cleaning agent. To see which cleaning products have been tested and approved by Pressalit for the specific product, please visit Pressalit.com and refer to the product's item number. Pressalit recommends cleaning the product after installation.

CAUTION

Always read the material safety data sheet (MSDS) and supplied instructions of the cleaning, disinfecting or de-scaling agent and comply with instructions for safe use, dilution, rinsing, drying, handling and storage of the agent.

IMPORTANT

- Do not use an autoclave or other type of steam cleaner.
- Avoid aggressive cleaning agents containing acids.
- Never spray the product directly with a high pressure cleaner.
- Avoid use of abrasive, corrosive or chlorine-based cleaning or disinfecting products.

en

Maintenance

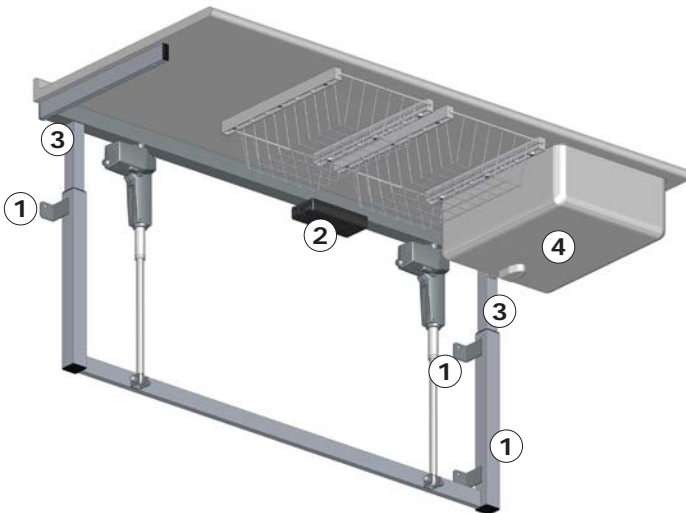
Expected service life of the changing table is 9 years, provided that maintenance is carried out as described below:

It is recommended on a weekly basis to run the motors on the product to their maximum positions by raising the product to its full height, and then lowering it to its lowest position, so that the internal parts are lubricated.

It is recommended that maintenance inspection is done once a year.

Maintenance inspection

Take the changing table to its highest position.



- Check the wall brackets ① and tighten the screws if necessary.
- Check all electrical connections to the control box ②.
- Oil moving parts, especially the sliding brackets ③.
- Check the sink drain ④ for leaks (if a sink is fitted).

Reconnect mains.

Product label

PRESSALIT®

1 **REF** RZZZZYYYYXXX-X

2 **SN** RZZZZYYYYXXX-X

3 YYYYY-MM-DD

4 12

5 13

6 XXX kg
XXX lbs

7 P:X W

8 U:XXXV

9 XX-XX Hz

10 IPXX

11 **Xxxxxx**

12 DS/EN XXXXX-X/X A1:YYYY

13 Pressalit A/S
Pressalitvej 1
DK-8680 Ry
+45 8788 8777
pressalit.com

14 **CE** **UK CA**

15 YYYYYYYY XXXXXX

16 **en**

① Article number

② Serial number

③ Production date

④ Consult manual for use

⑤ Do not dispose as unsorted municipal waste. The product should be collected separately and returned to the designated recycling service.

⑥ Product weight

⑦ Maximum power consumption

⑧ Electric current

⑨ Name and address of manufacturer

⑩ These products are CE-marked in accordance with relevant requirements in:

- Council Directive 2006/42/EC (of 17 May 2006) on machinery.
- Council Directive 2011/65/EC (of 8 June 2011) on RoHS.

⑪ EAN 13 barcode

⑫ Consult the manual for important cautionary information such as warnings and precautions.

⑬ This product does not contain any of the hazardous substances mentioned in the Council Directive 2011/65/EC on RoHS.

⑭ Duty cycle

⑮ Maximum user weight

⑯ Mains voltage

⑰ Frequency

⑱ Standard, which product is manufactured in accordance with (if any).

These products are UKCA-marked in accordance with relevant requirements in:

- Supply of Machinery (Safety) Regulations 2008.
- The restriction of the use of certain hazardous substances in electrical and electronic equipment regulations 2012.

A declaration of conformity can be found at pressalit.com.

Trouble-shooting

Symptom	Cause	Action
The product will not work, even though the wired remote control is used correctly.	Fault in power supply.	Check that all wires and plugs are intact and correctly connected. Contact Pressalit A/S or your local dealer.
The product runs up and down unevenly.	The sliding brackets are not properly lubricated.	Oil the sliding brackets as described under "Maintenance".
The baskets are unable to close/open.	The basket may have been twisted unintentionally.	Try to straighten the basket.

Contact Pressalit A/S or your dealer if the problem cannot be remedied. Do not attempt to repair the product yourself, as this will invalidate the warranty.

Storage and transportation

- The temperature for transportation and storage of the unit must be between 5 and 40° Celsius (41 and 104° F).
- The unit must always be transported in its original packaging.
- Avoid subjecting the packaging to shocks and impacts.
- Do not use the product if the packaging is broken or damaged.

Disposal and recycling

The unit contains reusable materials. There are no known hazards or risks associated with disposal of the product. All components can be discarded after having been cleaned and disinfected.

When disposing of the product, we recommend that it be disassembled and broken down into different waste groups for recycling or combustion.

The following table provides information on the recycling and handling of the product.

Recyclable components	Material
Steel	Steel can be recycled by being melted down and included as a secondary material in the production of new steel.
Plastics	Use plastic sorting and recycling systems where they are locally available, otherwise incinerating plastic has the added benefit of generating energy which can be used for, for example, combined heat and power production.
Electronics	The electronic components should be collected separately and returned to the designated recycling service.

Indhold

Monteringsvejledning.....	27
Visuel guide.....	27
Symboler, der er anvendt i denne vejledning	28
Generel sikkerhed	29
Sikkerhedsafstande	30
Tilsigtet brug	31
Tilsigtet brugerprofil	31
Betjeningsmiljø.....	31
Betjeningsinstruktioner	32
Op- og nedfoldning	33
Rengøring	34
Vedligeholdelse.....	35
Vedligeholdelsesinspektion	35
Produktmærkning	36
Fejlfinding.....	38
Opbevaring og transport	39
Bortskaffelse og genbrug	39

dk

Monteringsvejledning



Der følger en monteringsvejledning med dette produkt. Den kan også downloades fra pressalit.com.

Visuel guide



Der kan downloades en visuel guide fra pressalit.com.

VIGTIGT

BEHOLD DENNE VEJLEDNING TIL FREMTIDIG REFERENCE.
LÆS OMHYGGELIGT.

Symboler, der er anvendt i denne vejledning

Følgende symboler er anvendt i denne vejledning og i den tilhørende dokumentation, der følger med produktet.



ADVARSEL angiver en potentielt farlig situation, som, hvis den ikke undgås, kan medføre dødsfald eller alvorlig personskade.



FORSIGTIG angiver en potentielt farlig situation, som, hvis den ikke undgås, kan medføre større eller mindre personskade. Det kan også bruges til at advare om usikre fremgangsmåder.



VIGTIGT angiver vigtige oplysninger om håndtering og anvendelse af produktet.



BEMÆRK vedrører fremgangsmåder, der ikke er forbundet med personlig sikkerhed.



Advarsel om hovedskade



Advarsel om håndskade



Advarsel om fodskade



Advarsel om elektricitet/spænding



Advarsel om stærk varme



Barnet må ikke være uovervåget



Kompatible produkter



Reservedele



Elektriske specifikationer



Produktvægt



Maks. brugervægt



Produkt-nummer/-versioner

Generel sikkerhed

ADVARSEL

- Læs og forstå hele vejledningen før brug. Opbevar vejledningen tæt på produktet.
- Følg denne vejledning for at undgå uheld og alvorlig personskade.
- Dette produkt må aldrig bruges eller håndteres på anden måde end som angivet i denne vejledning, da dette vil kunne udgøre en risiko for din sikkerhed og beskadige produktet.
- Sørg for, at alle, der installerer eller bruger dette produkt og dets systemer, har de nødvendige oplysninger samt adgang til denne vejledning.

FORSIGTIG

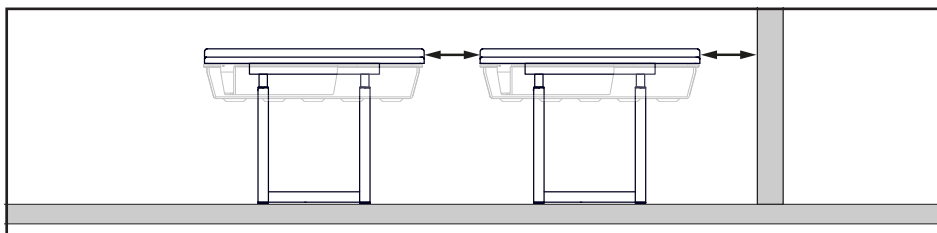
- Følg disse instruktioner for at undgå, at produktet beskadiges eller ødelægges.
- Der må ikke foretages reparationer, demontering, samlinger, udvidelser, tilpasninger eller ændringer på dette produkt. Dette må kun udføres af Pressalit eller af personer, som er autoriseret af Pressalit.
- Lad ikke børn betjene dette produkt uden opsyn. Produktet er ikke beregnet til leg.
- Produktet må ikke benyttes, hvis det er defekt eller beskadiget. Et defekt produkt må ikke anvendes, før det er repareret.

BEMÆRK

- Oplysningerne i denne vejledning er baseret på korrekt justering af produktet i overensstemmelse med vores monteringsvejledning.
- Pressalit kan ikke holdes ansvarlig, hvis produktet bruges på andre måder end som beskrevet i vejledningen.
- Vi forbeholder os ret til at ændre denne vejledning uden forudgående varsel.

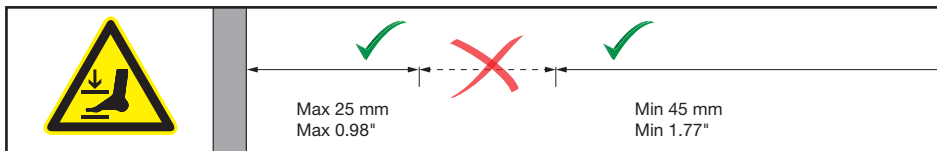
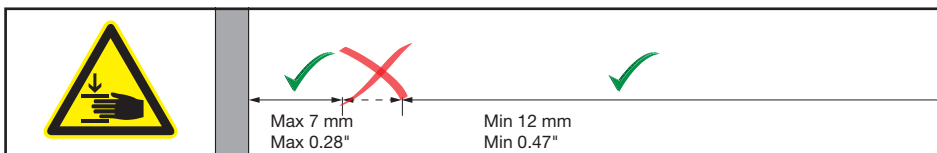
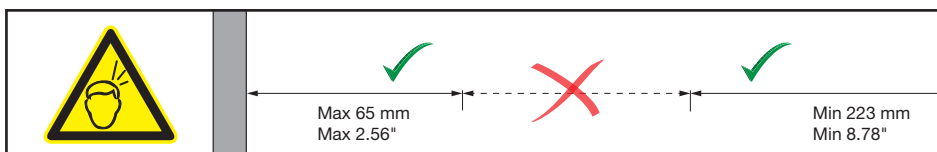
Sikkerhedsafstande

Sørg for, at skifteleje står i en sikker afstand fra omgivende genstande.
Kontrollér afstandene før hver brug.



	EN 12221-1:2008	Pressalit anbefaler
	Max 65 mm (2.56") Min 223 mm (8.78")	Max 60 mm (2.36") Min 300 mm (11.81")
	Max 7 mm (0.28") Min 12 mm (0.47")	Max 4 mm (0.16") Min 25 mm (0.98")
	Max 25 mm (0.98") Min 45 mm (1.77")	Max 8 mm (0.31") Min 120 mm (4.72")

dk



Tilsigtet brug

Dette produkt er tiltænkt som en optimal ergonomisk enhed til brug til børn.

Når et puslebord med én aktuator bruges, må barnets vægt ikke overstige 75 kg.

Når et puslebord med to aktuatorer bruges, må barnets vægt ikke overstige 150 kg.

Tilsigtet brugerprofil

Produktet må kun betjenes af voksne.

Betjeningsmiljø

Produktet er beregnet til indendørs brug ved stuetemperatur under normale arbejdsforhold.

Der er foretaget levetidstest iht. ISO 17966:2016.

Dette produkt er testet i henhold til DS/EN 12221-1 og 12221-2.



Barnet må ikke være uovervåget.



Vær opmærksom på risikoen for åben ild og andre stærke varmekilder, som f.eks. el-varmere, gasvarmere osv., i umiddelbar nærhed af puslebordet.

! FORSIGTIG

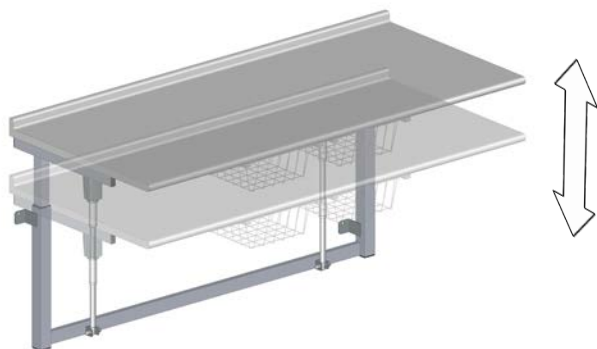
Lad ikke børn betjene dette produkt uden opsyn.

BEMÆRK

Placer altid barnet på en puslebordsmadrass og ikke direkte på bordet.

Betjeningsinstruktioner

Puslebordet kan justeres fra 650 til 1000 mm op og ned.



Højdejusteringen styres med den ledningstilsluttede fjernbetjening.



Tryk og hold på knappen med pil op for at hæve enheden.

Når knappen slippes, stopper bevægelsen.



Tryk og hold på knappen med pil ned for at sænke enheden.

Når knappen slippes, stopper bevægelsen.



For at undgå kvælningsrisiko skal du sørge for, at den ledningstilsluttede fjernbetjening sidder i sin holder, når den ikke er i brug.



Udvis forsigtighed for at undgå skader på hænder og hoved, når disse er i nærheden af bevægelige mekaniske dele.

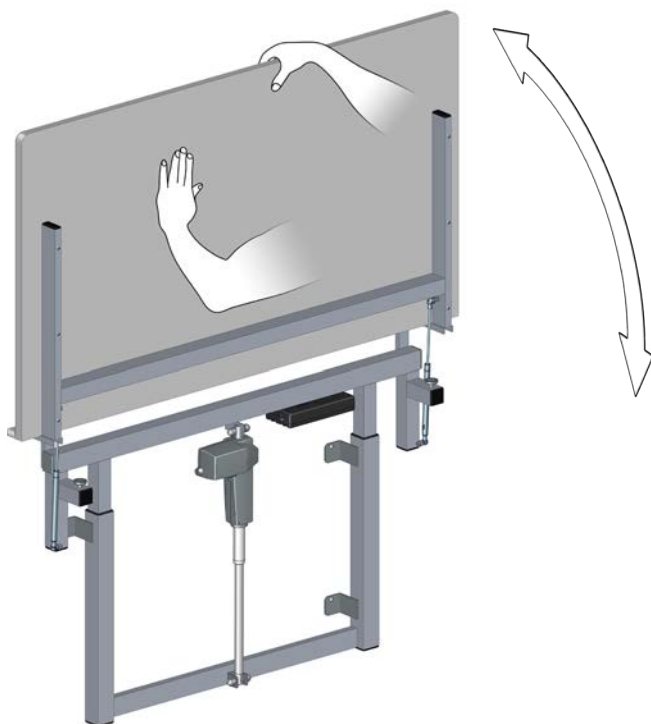


FORSIGTIG

Placer aldrig genstande under puslebordet.

Op- og nedfoldning

Modellerne R8721, R8921, R8722, R8922 og R8723 kan foldes op mod væggen efter brug.



dk

Når bordet foldes op og ned, skal du sørge for at understøtte briksen med hånden og/eller kroppen for at undgå risikoen for skader.

De indbyggede, pneumatiske gascylindere gør det let at folde bordet op og ned.



Udvis forsigtighed for at undgå skader på hænder og hoved, når disse er i nærheden af bevægelige mekaniske dele.

Rengøring

Produktet skal rengøres med varmt vand eller mildt sæbevand. Der findes en liste over passende rengøringsmidler, der er testet af Pressalit, på pressalit.com.

FORSIGTIG

Læs altid sikkerhedsdatabladet (MSDS) og de instruktioner, der følger med rengørings-, desinfektions- eller afkalkningsmidlet, og følg instruktionerne for sikker brug, fortynding, skylning, tørring, håndtering og opbevaring af midlet.

VIGTIGT

- Brug ikke autoklavering eller en anden form for damprensere.
- Undgå stærke rengøringsmidler, der indeholder syre.
- Produktet må aldrig sprøjtes direkte med en højtryksrenser.
- Undgå brug af slibende, ætsende eller klorbaserede rengørings- eller desinfektionsmidler.

Vedligeholdelse

Den forventede levetid for puslebordet er 9 år, forudsat at vedligeholdelsen udføres som beskrevet nedenfor:

Det anbefales at køre motorerne på produktet til deres maksimale position én gang om ugen ved at hæve produktet til dets fulde højde og derefter sænke det til den laveste position, så de indvendige dele smøres.

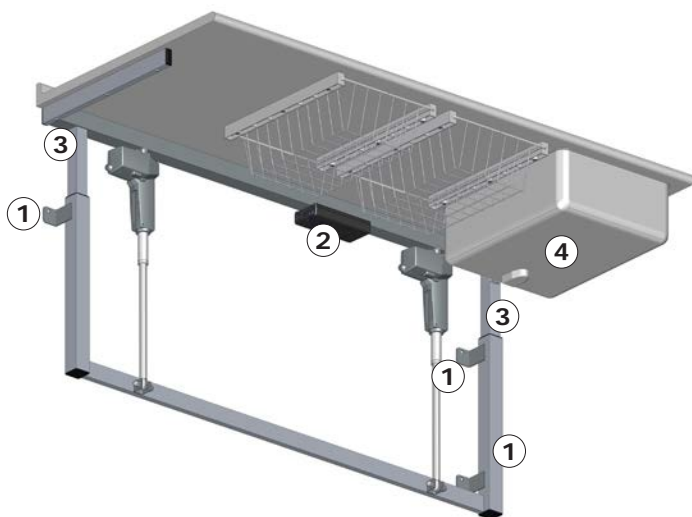
Det anbefales, at der udføres vedligeholdelsesinspektion en gang om året.

Vedligeholdelsesinspektion

Flyt puslebordet til dets højeste position.



Frakobl netstrømsforsyningen før inspektion.



dk

- Kontrollér vægbeslagene ①, og spænd dem om nødvendigt.
- Kontrollér alle de elektriske forbindelser til kontrolboksen ②.
- Smør de bevægelige dele og især glidebeslagene ③ med olie.
- Kontrollér vaskens afløb ④ for utætheder (hvis der er monteret en vask).

Gentilslut netstrømsforsyningen.

Produktmærkning

PRESSALIT®

①		RZZZZYYYYXXX-X	
		RZZZZYYYYXXX-X	⑫
②		YYYY-MM-DD	
③			⑬
④			⑭
			⑮
⑤		XXX kg XXX lbs	⑯
⑥			⑰
	P:X W	U:XXXV	
⑦	I:XXA	XX-XX Hz	⑱
	IPXX		
⑧		Xxxxxx	
		DS/EN XXXXX-X/X A1:YYYY	⑲
⑨		Pressalit A/S Pressalitvej 1 DK-8680 Ry +45 8788 8777 pressalit.com	
⑩			
⑪		YYYYYYYY XXXXXX	

dk

- ① Produktnummer

- ② Serienummer

- ③ Fremstillingsdato

- ④ Se brugsvejledningen.

- ⑤ Det må ikke bortskaffes som usorteret husholdningsaffald. Produktet skal indsamles særskilt og afleveres på den relevante genbrugsstation.

- ⑥ Produktvægt

- ⑦ Maks. strømforbrug

- ⑧ Strømstyrke

- ⑨ Fabrikantens navn og adresse

- ⑩ Disse produkter er CE-mærket i henhold til de relevante krav i:
 - Rådets direktiv 2006/42/EF (af 17. maj 2006) om maskiner.
 - Rådets direktiv 2011/65/EF (af 8. juni 2011) om RoHS.

- ⑪ EAN 13-stregkode

- ⑫ Se vigtige advarende oplysninger, som f.eks. advarsler og sikkerhedsforanstaltninger, i vejledningen.

- ⑬ Dette produkt indeholder ikke nogen af de farlige stoffer, der er nævnt i Rådets direktiv 2011/65/EF om RoHS.

- ⑭ Driftscyklus

- ⑮ Maks. brugervægt

- ⑯ Netspænding

- ⑰ Frekvens

- ⑱ Den standard, som produktet er fremstillet i overensstemmelse med (hvis en sådan findes).
Disse produkter er UKCA-mærket i henhold til de relevante krav i:
 - Bestemmelserne i Supply of Machinery (Safety) Regulations 2008.
 - Begrænsningen i brugen af bestemte farlige stoffer i henhold til bestemmelserne om elektrisk og elektronisk udstyr fra 2012.Der findes en overensstemmelseserklæring på pressalit.com.

Fejlfinding

Symptom	Årsag	Handling
Produktet fungerer ikke, selvom den ledningstilsluttede fjernbetjening anvendes korrekt.	Fejl i strømforsyningen.	Kontrollér, at alle ledninger og stik er intakte og korrekt tilsluttet. Kontakt Pressalit A/S eller din lokale forhandler.
Produktet kører ujævnt op og ned.	Glidebeslagene er ikke smurt tilstrækkeligt.	Smør glidebeslagene som beskrevet under "Vedligeholdelse".
Kurvene kan ikke lukkes/åbnes.	Kurven kan være vredet skæv ved et uheld.	Prøv at rette kurven ud.

Kontakt Pressalit A/S eller din forhandler, hvis problemet ikke kan løses. Forsøg ikke selv at reparere produktet, da dette vil ugyldiggøre garantien.

Opbevaring og transport

- Temperaturen for transport og opbevaring af enheden skal være mellem 5 og 40 °C.
- Enheden skal altid transporteres i den originale emballage.
- Undgå at udsætte emballagen for stød og påvirkninger.
- Produktet må ikke bruges, hvis emballagen er brudt eller beskadiget.

Bortskaffelse og genbrug

Produktet indeholder genbrugelige materialer. Der er ingen kendte farer eller risici forbundet med bortskaffelse af produktet. Alle komponenter kan bortskaffes efter at være blevet rengjort og desinficeret.

Ved bortskaffelse af produktet anbefales det, at det skilles ad og inddeles i forskellige affaldsgrupper til genbrug eller forbrænding.

Følgende tabel indeholder oplysninger om genbrug og håndtering af produktet.

Genanvendelige komponenter	Materiale
Stål	Stål kan genbruges ved hjælp af omsmeltnng og anvendes som sekundært materiale i produktionen af nyt stål.
Plastik	Brug plastiksorterings- og genbrugssystemer, hvis de er tilgængelige i lokalområdet, og ellers har forbrænding af plastik den ekstra fordel, at det genererer energi, hvilket kan anvendes til f.eks. en kombination af varme- og kraftproduktion.
Elektronik	De elektroniske komponenter skal indsamles særskilt og afleveres på den relevante genbrugsstation.

dk

Inhalt

Montageanleitung	40
Kurzanleitung in Bildern	40
Symbole in dieser Gebrauchsanweisung	41
Allgemeine Sicherheitshinweise	42
Sicherheitsabstand	43
Verwendungszweck	44
Vorgesehene Bediener	44
Betriebsbedingungen	44
Bedienungsanleitung	45
Hoch- und Herunterklappen	46
Reinigung	47
Wartung	48
Wartungsinspektion	48
Typenschild	49
Fehlerbehebung	51
Aufbewahrung und Transport	52
Entsorgung und Wiederverwertung	52

de

Montageanleitung



Dem Produkt ist eine Montageanleitung beigelegt. Diese kann auch von der Website pressalit.com heruntergeladen werden.

Kurzanleitung in Bildern



Eine Kurzanleitung in Bildern kann unter pressalit.com heruntergeladen werden.

WICHTIG

BEWAHREN SIE DIESE GEBRAUCHSANWEISUNG ZUR ZUKÜNFTIGEN
VERWENDUNG AUF. AUFMERKSAM DURCHLESEN.

Symbole in dieser Gebrauchsanweisung

Die folgenden Symbole werden sowohl in dieser Gebrauchsanweisung als auch in der mit dem Produkt mitgelieferten Dokumentation verwendet.



WARNUNG weist auf zu vermeidende Gefahrensituationen hin, die zum Tod oder zu schwerwiegenden Verletzungen führen können.



VORSICHT weist auf zu vermeidende Gefahrensituationen hin, die zu geringfügigen oder mittelschweren Verletzungen führen können. Es kann auch zur Warnung vor unsicheren Verfahren dienen.



WICHTIG weist auf wichtige Informationen zur Handhabung und Verwendung des Produkts hin.



HINWEIS kennzeichnet Verfahren und Informationen, ohne dass Verletzungsgefahr besteht.



Warnung: Gefahr von Kopfverletzungen



Warnung: Verletzungsgefahr für die Hände



Warnung: Verletzungsgefahr für die Füße



Warnung vor elektrischer Spannung



Warnung vor starker Hitze



Kind nicht unbeaufsichtigt lassen



Kompatible Produkte



Ersatzteile



Leistungsdaten



Gewichtangabe



Max. Gewicht des Benutzers



Artikelnummer/Versionen

de

Allgemeine Sicherheitshinweise

WARNUNG

- Lesen Sie vor Verwendung des Produkts die Gebrauchsanweisung vollständig durch. Bewahren Sie die Gebrauchsanweisung in der Nähe des Produkts auf.
- Befolgen Sie diese Gebrauchsanweisung, um schwerwiegende Verletzungen zu vermeiden.
- Verwenden und handhaben Sie dieses Produkt ausschließlich wie in dieser Gebrauchsanweisung beschrieben. Anderenfalls besteht Verletzungsgefahr für den Anwender oder die Gefahr von Schäden am Produkt.
- Stellen Sie sicher, dass alle Personen, die dieses Produkt und seine Komponenten installieren oder verwenden, über die notwendigen Informationen verfügen und Zugang zu dieser Gebrauchsanweisung haben.

VORSICHT

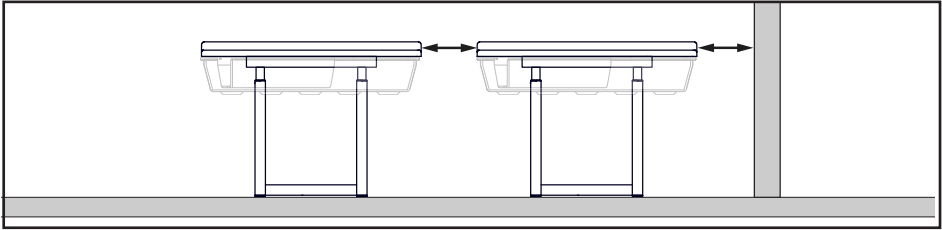
- Befolgen Sie diese Anweisungen, um Schäden am Produkt zu vermeiden.
- Nehmen Sie keine Reparaturen, Montagen, Erweiterungen, Anpassungen oder Veränderungen am Produkt vor und zerlegen Sie es nicht. Diese Arbeiten dürfen ausschließlich von Pressalit-Mitarbeitern oder von anderen, durch Pressalit autorisierten Personen durchgeführt werden.
- Lassen Sie niemals Kinder unbeaufsichtigt dieses Produkt bedienen. Das Produkt darf nicht als Spielzeug verwendet werden.
- Verwenden Sie das Produkt niemals, wenn es defekt oder beschädigt ist. Verwenden Sie ein defektes Produkt erst wieder, nachdem es repariert wurde.




HINWEIS

- Die Informationen in dieser Gebrauchsanweisung setzen den korrekten Einbau des Produkts gemäß unserer Montageanweisung voraus.
- Pressalit haftet nicht, wenn das Produkt anders als in dieser Gebrauchsanweisung beschrieben verwendet wird.
- Änderungen vorbehalten.

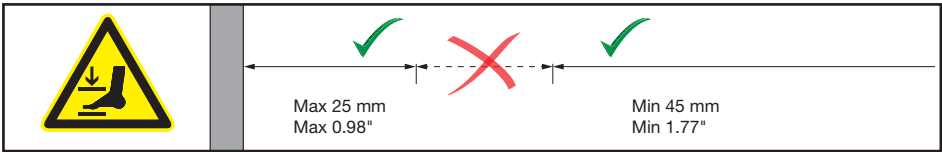
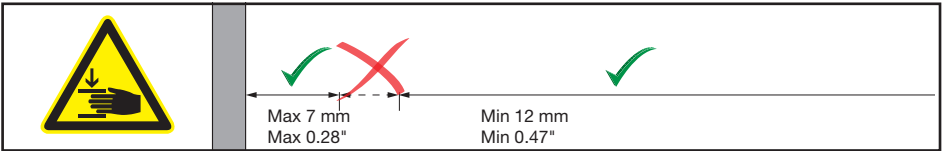
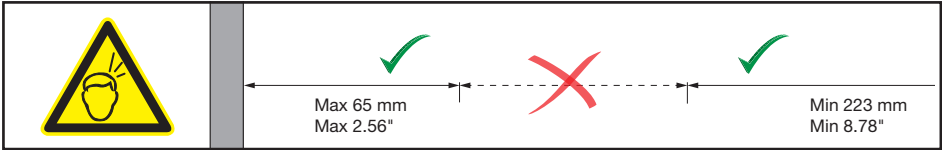
Sicherheitsabstand

Stellen Sie sicher, dass sich der Wickeltisch in sicherem Abstand zu Gegenständen in der Umgebung befindet. Überprüfen Sie die Abstände vor Verwendung des Produkts.



	EN 12221-1:2008	Pressalit empfiehlt
	Max 65 mm (2.56") Min 223 mm (8.78")	Max 60 mm (2.36") Min 300 mm (11.81")
	Max 7 mm (0.28") Min 12 mm (0.47")	Max 4 mm (0.16") Min 25 mm (0.98")
	Max 25 mm (0.98") Min 45 mm (1.77")	Max 8 mm (0.31") Min 120 mm (4.72")

de



Verwendungszweck

Dieses Produkt bietet bei der Pflege von Kindern eine optimale Ergonomie.

Wird ein Wickeltisch mit einer Antriebseinheit verwendet, darf das Körpergewicht des Kindes 75 kg nicht überschreiten.

Wird ein Wickeltisch mit zwei Antriebseinheiten verwendet, darf das Körpergewicht des Kindes 150 kg nicht überschreiten.

Vorgesehene Bediener

Das Produkt darf nur von Erwachsenen bedient werden.

Betriebsbedingungen

Das Produkt ist für den Einsatz in geschlossenen Räumen unter normalen Arbeitsbedingungen bei Raumtemperatur ausgelegt.

Die Lebensdauer wurde gemäß ISO 17966:2016 getestet.

Dieses Produkt wurde gemäß DIN EN 12221-1 und DIN EN 12221-2 geprüft.



Das Kind darf nicht unbeaufsichtigt gelassen werden.



Beachten Sie die Brandgefahr, die von offenen Flammen und anderen starken Hitzequellen wie Heizstrahlern oder Gasöfen in unmittelbarer Nähe des Wickeltisches ausgeht.



VORSICHT

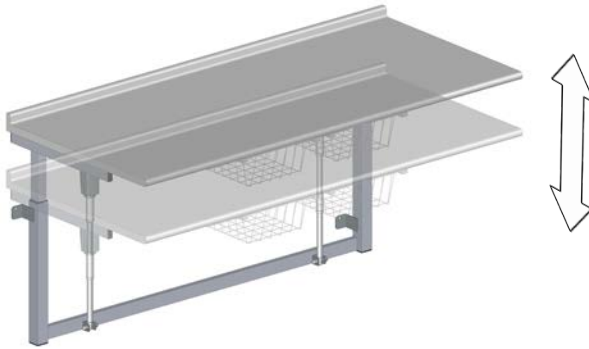
Lassen Sie niemals Kinder unbeaufsichtigt dieses Produkt bedienen.

HINWEIS

Legen Sie das Kind immer auf eine Wickelunterlage und nicht direkt auf den Tisch.

Bedienungsanleitung

Der Wickeltisch ist von 65 bis auf 100 cm höhenverstellbar.



Die Höhenverstellung erfolgt über die kabelgebundene Fernbedienung.



Halten Sie zum Hochfahren die Taste „Auf“ gedrückt.

Wenn Sie die Taste loslassen, wird die Aufwärts- bzw. Abwärtsbewegung angehalten.



Halten Sie zum Absenken die Taste „Ab“ gedrückt. Wenn Sie die Taste loslassen, wird die Aufwärts- bzw. Abwärtsbewegung angehalten.

de



Wenn die kabelgebundene Fernbedienung gerade nicht verwendet wird, muss sie in der vorgesehenen Halterung platziert werden, um ein Strangulationsrisiko zu vermeiden.



Seien Sie in der Nähe beweglicher mechanischer Teile vorsichtig, da hier die Gefahr von Verletzungen der Hände und des Kopfes besteht.

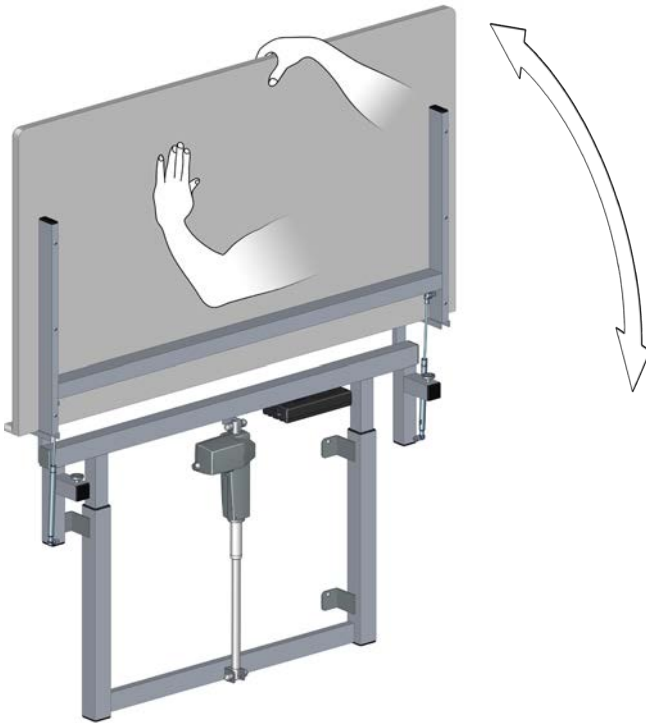


VORSICHT

Stellen Sie auf keinen Fall Gegenstände unter den Wickeltisch.

Hoch- und Herunterklappen

Die Modelle R8721, R8921, R8722, R8922 und R8723 können nach dem Gebrauch an die Wand hochgeklappt werden.



de

Achten Sie darauf, die Liegefläche beim Hoch- und Herunterklappen mit der Hand und/oder dem Körper abzustützen, um Beschädigungen zu vermeiden.

Die eingebauten Gasdruckzylinder erleichtern das Hoch- und Herunterklappen des Wickeltischs.



Seien Sie in der Nähe beweglicher mechanischer Teile vorsichtig, da hier die Gefahr von Verletzungen der Hände und des Kopfes besteht.

Reinigung

Das Produkt kann mit heißem Wasser oder einem milden Reinigungsmittel gereinigt werden.

Eine Liste geeigneter Reinigungsmittel, die von Pressalit geprüft wurden, finden Sie unter pressalit.com.

VORSICHT

Lesen Sie immer das Materialsicherheitsdatenblatt und die Gebrauchsanweisung des verwendeten Reinigungsmittels, Desinfektionsmittels oder Entkalkers, und befolgen Sie die Anweisungen zu sicherem Gebrauch, Verdünnung, Abspülen, Trocknen, Handhabung und Lagerung.

WICHTIG

- Verwenden Sie keinen Autoklaven oder eine andere Art von Dampfreiniger.
- Verwenden Sie keine aggressiven, säurehaltigen Reinigungsmittel.
- Richten Sie niemals einen Hochdruckreiniger direkt auf das Produkt.
- Verwenden Sie keine scheuernden, korrosiven oder chlorhaltigen Reinigungs- oder Desinfektionsmittel.

de

Wartung

Die erwartete Nutzungsdauer des Wickeltisches beträgt 9 Jahre, wenn er wie nachstehend beschrieben gewartet wird.

Es wird empfohlen, die Motoren einmal pro Woche in die Extrempositionen zu bringen, damit die internen Bauteile geschmiert werden. Hierzu das Produkt auf die maximale Höhe hochfahren und dann auf die niedrigste Höhe herunterfahren.

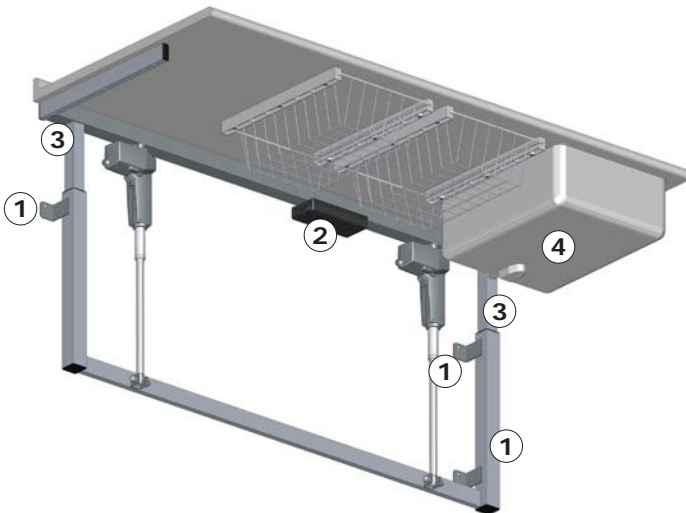
Es wird empfohlen, einmal im Jahr eine Wartungsinspektion durchzuführen.

Wartungsinspektion

Bringen Sie den Wickeltisch in die höchstmögliche Position.



Ziehen Sie vor der Inspektion den Netzstecker.



- Überprüfen Sie die Wandhalterungen ① und ziehen Sie sie bei Bedarf fest.
- Überprüfen Sie alle elektrischen Verbindungen zum Schaltkasten ②.
- Schmieren Sie bewegliche Teile, insbesondere die Gleithalterungen ③.
- Überprüfen Sie den Ablauf des Waschbeckens ④ auf undichte Stellen (sofern ein Waschbecken montiert ist).

Schließen Sie den Netzstecker wieder an.

Typenschild

PRESSALIT®

① **REF** RZZZZYYYYXXX-X

② **SN** RZZZZYYYYXXX-X

③ YYYYY-MM-DD

④

⑤

⑥ XXX kg
XXX lbs

⑦ P:X W

⑧ U:XXXV

⑧ XX-XX Hz

⑧ **I:XXA**

⑧ **IPXX**

⑧ **Xxxxxx**

⑧ DS/EN XXXXX-X/X A1:YYYY

⑨ Pressalit A/S
Pressalitvej 1
DK-8680 Ry
+45 8788 8777
pressalit.com

⑩ **CE** **UK CA**

⑪

⑪ YYYYYYYY XXXXXX

⑫

⑬

⑭

⑮

⑯

⑰

⑱

de

① Artikelnummer

② Seriennummer

③ Herstellungsdatum

④ Gebrauchsanweisung beachten.

⑤ Nicht als Hausmüll entsorgen. Das Produkt muss separat entsorgt und der entsprechenden Wiederverwertung zugeführt werden.

⑥ Gewichtangabe

⑦ Maximale Leistungsaufnahme

⑧ Elektrischer Strom

⑨ Name und Anschrift des Herstellers

Diese Produkte tragen das CE-Zeichen und erfüllen alle relevanten Anforderungen gemäß:

- ⑩
- Richtlinie 2006/42/EG des Rates (vom 17. Mai 2006) für Maschinen
 - Richtlinie 2011/65/EG des Rates (vom 8. Juni 2011) zu RoHS (engl. Restriction of Hazardous Substances, Beschränkung gefährlicher Stoffe)
-

⑪ EAN-13-Barcode

⑫ Wichtige Sicherheitshinweise und Vorsichtsmaßnahmen in der Gebrauchsanweisung beachten.

⑬ Dieses Produkt enthält keinen der in der Richtlinie 2011/65/EG des Rates zu RoHS genannten Gefahrstoffe.

⑭ Betriebszyklus

⑮ Maximales Gewicht des Benutzers

⑯ Netzspannung

⑰ Frequenz

⑱ Standard, nach dem das Produkt hergestellt wird (sofern zutreffend)

Diese Produkte tragen das UKCA-Zeichen und erfüllen alle relevanten Anforderungen gemäß:

- ⑲
- Supply of Machinery (Safety) Regulations 2008 ((Sicherheits-) Verordnung zur Bereitstellung von Maschinen von 2008)
 - The restriction of the use of certain hazardous substances in electrical and electronic equipment regulations 2012 (Verordnung zur Beschränkung der Verwendung gefährlicher Stoffe in Elektro- und Elektronikgeräten von 2012)

Eine Konformitätserklärung kann unter pressalit.com eingesehen werden.

Fehlerbehebung

Problem	Ursache	Abhilfe
Das Produkt lässt sich nicht bewegen, obwohl die kabelgebundene Fernbedienung korrekt bedient wird.	Defekt in der Stromversorgung.	Überprüfen Sie, ob alle Kabel und Stecker intakt und richtig angeschlossen sind. Wenden Sie sich an Pressalit A/S oder Ihren Händler vor Ort.
Das Produkt ruckelt bei der Auf- und Abwärtsbewegung.	Die Gleithalterungen sind nicht richtig geschmiert.	Schmieren Sie die Gleithalterungen wie unter „Wartung“ beschrieben.
Die Körbe lassen sich nicht öffnen/schließen.	Möglicherweise wurde der Korb versehentlich verbogen.	Versuchen Sie, den Korb wieder geradezubiegen.

Falls sich das Problem nicht beheben lässt, wenden Sie sich an Pressalit A/S oder Ihren Händler. Versuchen Sie nicht, das Produkt selbst zu reparieren, da hierdurch die Garantie erlischt.

Aufbewahrung und Transport

- Die Temperatur bei Aufbewahrung bzw. Transport des Produkts muss zwischen 5 und 40 °C liegen.
- Das Produkt muss immer in seiner Originalverpackung transportiert werden.
- Das verpackte Produkt sollte keinen Stößen oder Schlägen ausgesetzt werden.
- Das Produkt darf nicht verwendet werden, wenn die Verpackung beschädigt ist.

Entsorgung und Wiederverwertung

Das Produkt enthält wiederverwertbare Materialien. Die Entsorgung des Produkts ist mit keinen bekannten Gefahren oder Risiken verbunden. Alle Komponenten können entsorgt werden, nachdem sie gereinigt und desinfiziert wurden.

Wir empfehlen, das Produkt zur Entsorgung zu zerlegen und in die verschiedenen Abfallfraktionen für die Wiederverwertung oder Verbrennung zu trennen.

Die folgende Tabelle enthält weitere Angaben zur Wiederverwertung und Entsorgung des Produkts.

Wiederwertbare Komponenten	Material
Stahl	Stahl kann durch Einschmelzen wiederverwertet werden und als Sekundärmaterial in die Produktion von Neustahl einfließen.
Kunststoff	Nutzen Sie die örtlich verfügbaren Trenn- und Recyclingsysteme. Ansonsten hat die Verbrennung von Kunststoff den zusätzlichen Vorteil, dass dabei Energie erzeugt wird, die beispielsweise für die kombinierte Erzeugung von Wärme und Strom genutzt werden kann.
Elektronik	Die elektronischen Komponenten müssen separat entsorgt und der entsprechenden Wiederverwertung zugeführt werden.

Sommaire

Notice de montage.....	53
Signalétique opérationnelle.....	53
Symboles utilisés dans ce manuel.....	54
Mesures de sécurité générales.....	55
Distances de sécurité.....	56
Usage prévu.....	57
Profil d'opérateur prévu.....	57
Environnement d'exploitation.....	57
Mode d'emploi.....	58
Plier et déplier.....	59
Nettoyage.....	60
Entretien.....	61
Contrôle de maintenance.....	61
Étiquette du produit.....	62
Dépannage.....	64
Stockage et transport.....	65
Mise au rebut et recyclage.....	65

Notice de montage



Une notice de montage est incluse avec le produit. Elle est également téléchargeable sur le site pressalit.com.

fr

Signalétique opérationnelle



Une signalétique opérationnelle est téléchargeable sur le site pressalit.com.

IMPORTANT

CONSERVER CE MANUEL POUR CONSULTATION ULTÉRIEURE.
LIRE ATTENTIVEMENT.

Symboles utilisés dans ce manuel

Les symboles qui suivent sont utilisés dans ce manuel ainsi que dans la documentation associée fournis avec le produit.

AVERTISSEMENT

AVERTISSEMENT indique une situation potentiellement dangereuse susceptible d'entraîner la mort ou de graves blessures si elle n'est pas évitée.

ATTENTION













ATTENTION indique une situation potentiellement dangereuse susceptible d'entraîner des blessures légères ou modérées si elle n'est pas évitée. Il peut également être utilisé pour alerter contre des pratiques dangereuses.

IMPORTANT

IMPORTANT indique des informations importantes sur la manipulation et l'utilisation du produit.

REMARQUE

REMARQUE est utilisé pour aborder des pratiques non associées à la sécurité personnelle.

			
Avertissement de risque de blessure de la tête	Avertissement de risque de blessure à la main	Avertissement de risque de blessure aux pieds	Avertissement relatif à l'électricité / la tension
			
Avertissement relatif à la température élevée	Ne pas laisser un enfant sans surveillance	Produits compatibles	Pièces de rechange
			
Caractéristiques électriques	Poids du produit	Poids maximal de l'utilisateur	Numéro d'article / versions

Mesures de sécurité générales



AVERTISSEMENT

- Il est nécessaire de lire et de comprendre le manuel dans son intégralité avant d'utiliser le produit. Conserver le manuel près de l'unité.
- Respecter les instructions de ce manuel pour éviter tout accident impliquant de graves blessures corporelles.
- Ne jamais utiliser ou manipuler ce produit d'une autre manière que celle spécifiée dans ce manuel, car cela risquerait de mettre en danger votre sécurité et d'endommager le produit.
- Veiller à ce que toute personne devant installer ou utiliser le produit et ses systèmes dispose des informations nécessaires et puisse accéder à ce manuel.



ATTENTION

- Respecter ces instructions pour éviter d'endommager ou de détruire le produit.
- Ne pas procéder à des réparations, démontages, montages, extensions, réajustements ou modifications de ce produit. Ces opérations doivent être réalisées uniquement par Pressalit ou des personnes autorisées par Pressalit.
- Ne jamais permettre à des enfants d'utiliser ce produit, sauf sous surveillance. Le produit n'est pas destiné au jeu.
- Ne jamais utiliser le produit s'il est défectueux ou endommagé. Ne pas utiliser un produit défectueux avant de l'avoir fait réparer.

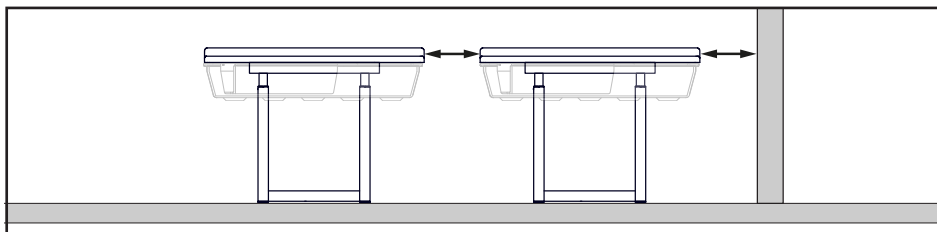
REMARQUE

- Les informations contenues dans ce manuel reposent sur une installation correcte du produit selon la notice de montage.
- Pressalit ne saurait être tenu responsable en cas d'utilisation du produit autre que celle décrite dans le manuel.
- Nous nous réservons le droit de modifier ce manuel sans préavis.

Distances de sécurité

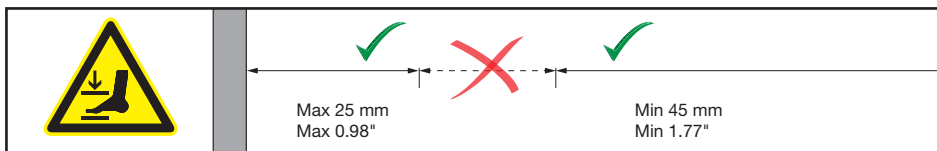
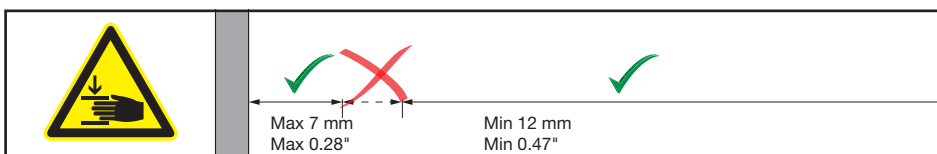
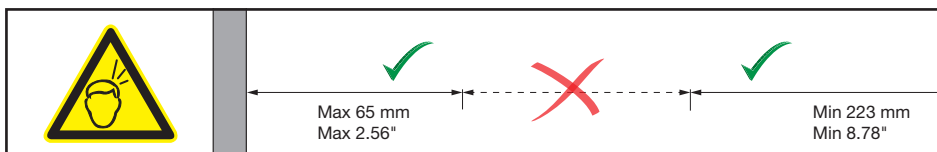
Assurez-vous que la table à langer est à une distance suffisante des objets environnants.

Vérifiez les distances avant toute utilisation.



	EN 12221-1:2008	Pressalit recommande
	Max 65 mm (2.56") Min 223 mm (8.78")	Max 60 mm (2.36") Min 300 mm (11.81")
	Max 7 mm (0.28") Min 12 mm (0.47")	Max 4 mm (0.16") Min 25 mm (0.98")
	Max 25 mm (0.98") Min 45 mm (1.77")	Max 8 mm (0.31") Min 120 mm (4.72")

fr



Usage prévu

Ce produit a été conçu de manière à offrir une ergonomie optimale lors des soins aux enfants. **Lors de l'utilisation d'une table à langer avec un vérin, le poids de l'enfant ne doit pas dépasser 75 kg.**

Lors de l'utilisation d'une table à langer avec deux vérins, le poids de l'enfant ne doit pas dépasser 150 kg.

Profil d'opérateur prévu

Le produit ne doit être utilisé que par des adultes.

Environnement d'exploitation

Le produit est prévu pour un usage en intérieur, à température ambiante et dans des conditions de fonctionnement normales.

Test de cycle de vie réalisé conformément à la norme ISO 17966:2016.

Le produit a été testé conformément aux normes DS/EN 12221-1 et 12221-2.



Ne pas laisser un enfant sans surveillance.



Il existe un risque d'incendies et de génération de sources de chaleur élevée, en lien par exemple avec des dispositifs de chauffage radiant ou de chauffage à gaz, à proximité immédiate de la table à langer.



ATTENTION

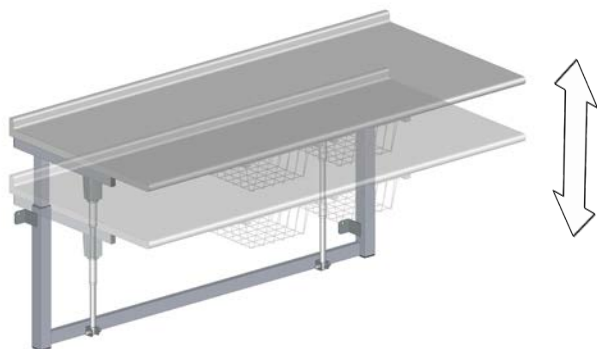
Ne jamais permettre à des enfants d'utiliser ce produit sans surveillance.

REMARQUE

Ne pas placer l'enfant directement sur la table à langer, mais sur un matelas à langer.

Mode d'emploi

La table à langer peut être ajustée verticalement à une hauteur comprise entre 650 et 1 000 mm.



Le réglage de la hauteur s'effectue à l'aide de la télécommande filaire.



Appuyez sur la flèche du haut et maintenez-la enfoncée pour lever l'unité.
Le mouvement s'arrête dès que vous relâchez la touche.



Appuyez sur la flèche du bas et maintenez-la enfoncée pour baisser l'unité.
Le mouvement s'arrête dès que vous relâchez la touche.



Pour éviter tout risque d'étranglement, assurez-vous que la télécommande filaire est placée dans son support lorsqu'elle n'est pas utilisée.



Attention au risque de blessure des mains et de la tête à proximité de pièces mécaniques mobiles.

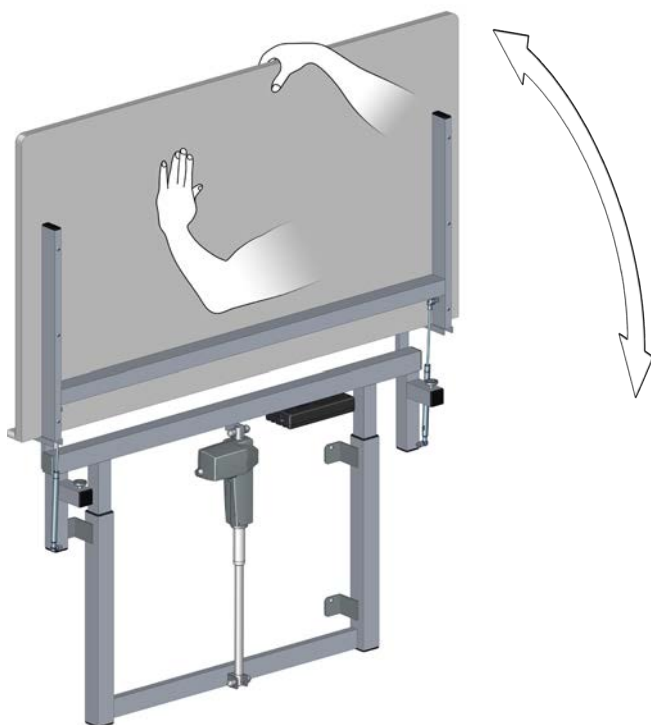


ATTENTION

Ne jamais placer d'objets en dessous de la table à langer.

Plier et déplier

Les modèles R8721, R8921, R8722, R8922 et R8723 peuvent être pliés contre le mur après leur utilisation.



Lorsque vous pliez ou dépliez la table, veillez à soutenir la surface de couchage avec votre main et/ou votre corps pour éviter tout risque de dommage.

Les compensations à gaz pneumatiques intégrées permettent de plier et de déplier facilement la table.



Attention au risque de blessure des mains et de la tête à proximité de pièces mécaniques mobiles.

Nettoyage

Le produit doit être nettoyé à l'aide d'eau chaude ou d'un agent nettoyant légèrement savonneux.

Vous trouverez une liste d'agents de nettoyage testés par Pressalit sur le site pressalit.com.

ATTENTION

Toujours lire les fiches techniques de sécurité du matériel et les notices fournies de l'agent de nettoyage, de désinfection ou de détartrage, et respecter les instructions relatives à l'utilisation sécurisée, la dilution, le rinçage, le séchage, la manipulation et le stockage de l'agent.

IMPORTANT

- Ne pas utiliser d'autoclave ou tout autre type de nettoyeur à vapeur.
- Éviter les agents de nettoyage agressifs contenant des acides.
- Ne jamais asperger le produit directement à l'aide d'un nettoyeur haute pression.
- Éviter d'utiliser des produits de nettoyage ou de désinfection abrasifs, corrosifs ou à base de chlore.

Entretien

La durée de vie prévue de la table à langer est de 9 ans, à condition que l'entretien soit effectué comme décrit ci-dessous :

Il est recommandé de faire fonctionner les moteurs du produit à leurs positions maximales de manière hebdomadaire en levant le produit à sa position la plus haute puis en le descendant à sa position la plus basse afin de lubrifier les pièces internes.

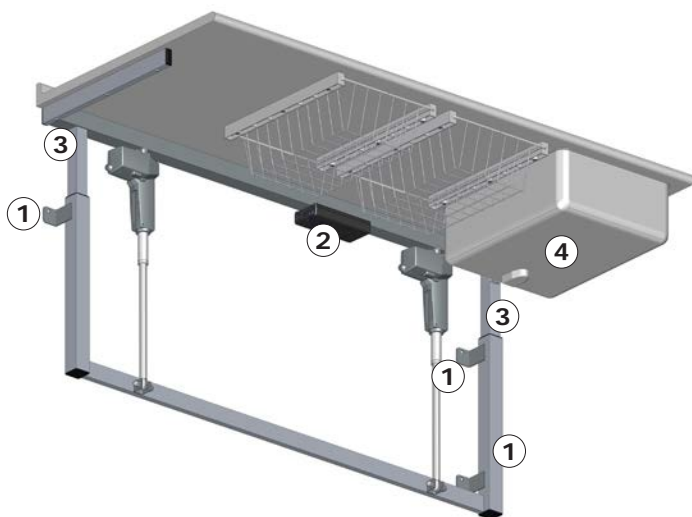
Il est recommandé d'effectuer un contrôle de maintenance une fois par an.

Contrôle de maintenance

Mettez la table à langer dans sa position la plus haute.



**Débranchez
l'alimentation
avant l'inspection.**



- Vérifiez les fixations murales ① et serrez-les le cas échéant.
- Vérifiez tous les raccords électriques au boîtier de commande ②.
- Graissez les pièces mobiles, en particulier les traverses coulissantes ③.
- Vérifiez que l'évacuation de l'évier ④ ne présente pas de fuite (si un évier est monté).


Rebranchez l'alimentation.



Étiquette du produit



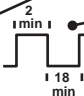
PRESSALIT®


① **REF** RZZZZYYYYXXX-X


② **SN** RZZZZYYYYXXX-X

③  YYYY-MM-DD

④  

⑤   

⑥  XXX kg
XXX lbs

⑦  XXX kg
XXX lbs


⑧ P:X W U:XXXV

⑨ I:XXA XX-XX Hz


⑩ IPXX

⑪ **Xxxxxx**

⑫ DS/EN XXXXX-X/X A1:YYYY

⑬  Pressalit A/S
Pressalitvej 1
DK-8680 Ry
+45 8788 8777
pressalit.com

⑭ **CE** **UK CA**

⑮ 
YYYYYYYY XXXXXX

fr

①	Numéro d'article
②	Numéro de série
③	Date de fabrication
④	Consulter le manuel d'utilisation
⑤	Ne pas le mettre au rebut sous forme de déchets municipaux non triés. Le produit doit être collecté séparément des autres déchets et renvoyé au service de recyclage désigné.
⑥	Poids du produit
⑦	Consommation électrique maximum
⑧	Courant électrique
⑨	Nom et adresse du fabricant
⑩	<p>Ces produits portent la marque CE conformément aux exigences pertinentes de :</p> <ul style="list-style-type: none"> • La directive 2006/42/CE du Conseil (du 17 mai 2006) sur les machines. • La directive 2011/65/UE du Conseil (du 8 juin 2011) dite RoHS.
⑪	Code-barres EAN 13
⑫	Consulter le manuel pour les mises en garde importantes telles que les avertissements et les précautions
⑬	Ce produit ne contient aucune des substances dangereuses mentionnées dans la Directive RoHS 2011/65/CE du Conseil.
⑭	Cycle de service
⑮	Poids maximal de l'utilisateur
⑯	Tension de secteur
⑰	Fréquence
⑱	<p>Norme selon laquelle le produit est fabriqué (le cas échéant).</p> <p>Ces produits portent la marque UKCA conformément aux exigences pertinentes des règlements :</p> <ul style="list-style-type: none"> • Supply of Machinery (Safety) Regulations 2008 (Règlements de sécurité sur la fourniture de machines). • Règlements de 2012 relatifs à la limitation de l'utilisation de certaines substances dangereuses dans les équipements électriques et électroniques. <p>Une déclaration de conformité est disponible sur pressalit.com.</p>

Dépannage

Problème	Cause	Mesure
Le produit ne fonctionne pas, bien que la télécommande filaire soit correctement utilisée.	Problème au niveau de l'alimentation électrique.	Vérifiez que tous les câbles et prises sont intacts et correctement raccordés. Contactez Pressalit A/S ou votre représentant local.
Le produit monte et descend de façon irrégulière.	Les traverses coulissantes ne sont pas bien lubrifiées.	Graissez les traverses coulissantes comme décrit à la section « Entretien ».
Impossible d'ouvrir / de fermer les paniers.	Le panier a peut-être été tordu par accident.	Essayez de redresser le panier.

Contactez Pressalit A/S ou votre représentant si vous ne parvenez pas à résoudre le problème. N'essayez pas de réparer vous-même le produit car cela annulerait la garantie.

Stockage et transport

- La température de stockage et de transport de l'unité doit être comprise entre 5 et 40 °C.
- L'unité doit toujours être transportée dans son emballage d'origine.
- Évitez de soumettre l'emballage à des chocs et des impacts.
- N'utilisez pas le produit si l'emballage est détérioré ou endommagé.

Mise au rebut et recyclage

L'unité contient des matériaux réutilisables. Il n'y a aucun risque connu associé à la mise au rebut du produit. Tous les composants peuvent être mis au rebut après avoir été nettoyés et désinfectés.

Lors de la mise au rebut du produit, nous recommandons de le démonter et de le décomposer en différents groupes de déchets en vue de leur recyclage ou incinération.

Le tableau suivant fournit des informations sur le recyclage et la manipulation du produit.

Composants recyclables	Matériau
Acier	L'acier peut être recyclé en étant fondu et inclus en tant que matériau secondaire dans la production d'acier nouveau.
Matières synthétiques	Utilisez les systèmes locaux de tri et de recyclage des matières synthétiques. Alternativement, l'incinération des matières synthétiques présente l'avantage de générer de l'énergie qui peut être utilisée, par exemple, pour la production combinée de chaleur et d'électricité.
Composants électroniques	Les composants électroniques doivent être collectés séparément des autres déchets et renvoyés au service de recyclage désigné.

fr

Inhoud

Montage-instructies	66
Visuele handleiding	66
Symbolen in deze handleiding	67
Algemene veiligheid	68
Veiligheidsafstand	69
Beoogd gebruik	70
Profiel van beoogde bediener	70
Gebruiksomgeving	70
Gebruiksaanwijzingen	71
Omhoog en omlaag klappen	72
Reinigen	73
Onderhoud	74
Onderhoudsinspectie	74
Productlabel	75
Probleemoplossing	77
Opslag en transport	78
Afvoer en recycling	78

Montage-instructies



Er worden montage-instructies met dit product meegeleverd.
U kunt deze ook via pressalit.com downloaden.

Visuele handleiding



Een visuele handleiding voor dit product kan worden
gedownload vanaf pressalit.com.

BELANGRIJK

BEWAAR DEZE HANDLEIDING VOOR TOEKOMSTIG GEBRUIK.
ZORGVULDIG DOORLEZEN.

Symbolen in deze handleiding

De volgende symbolen worden gebruikt in deze handleiding en de bijbehorende documentatie die met het product is meegeleverd.

WAARSCHUWING

WAARSCHUWING geeft een mogelijk gevaarlijke situatie aan die, indien niet vermeden, kan leiden tot overlijden of ernstig letsel.

LET OP

LET OP geeft een mogelijk gevaarlijke situatie aan die, indien niet vermeden, kan leiden tot licht of matig letsel. 'Let op' kan ook worden gebruikt om de gebruiker te waarschuwen voor onveilige praktijken.

BELANGRIJK

BELANGRIJK geeft belangrijke informatie aan over het hanteren en gebruiken van het product.

OPMERKING

OPMERKING wordt gebruikt om praktijken aan te duiden die geen betrekking hebben op de persoonlijke veiligheid.

 Waarschuwing voor hoofdletsel	 Waarschuwing voor handletsel	 Waarschuwing voor letsel aan voeten	 Waarschuwing voor elektriciteit/voltage
 Waarschuwing voor hoge temperatuur	 Laat kinderen nooit zonder toezicht achter	 Compatibele producten	 Reserveonderdelen
 Voedingspecificaties	 Gewicht van product	 Max. gewicht gebruiker	 Artikelnummer/-uitvoeringen

Algemene veiligheid



WAARSCHUWING

- Lees de handleiding vóór gebruik volledig door en zorg dat u deze begrijpt. Houd de handleiding in de buurt van de eenheid.
- Houd u aan deze handleiding om ongelukken met ernstig persoonlijk letsel te voorkomen.
- Gebruik of hanteer dit product nooit op een andere manier dan in deze handleiding staat beschreven, omdat dit uw veiligheid in gevaar kan brengen en schade aan het product kan veroorzaken.
- Zorg ervoor dat iedereen die het product en de bijbehorende systemen gaat plaatsen of gebruiken, is voorzien van de benodigde informatie en toegang heeft tot deze handleiding.



LET OP

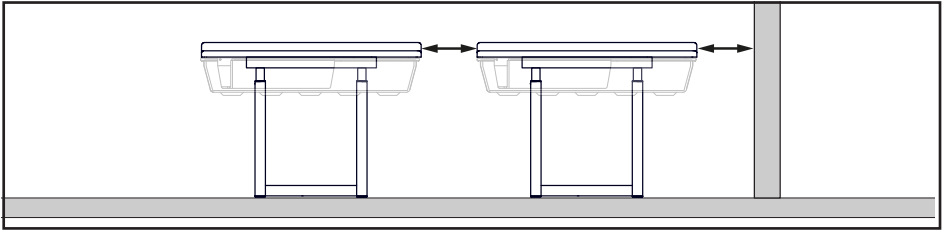
- Volg deze instructies op om te voorkomen dat het product wordt beschadigd of vernietigd.
- Voer geen reparaties, (de)montagewerkzaamheden, uitbreidingen, afstellingen of aanpassingen uit met betrekking tot dit product. Deze werkzaamheden mogen uitsluitend worden uitgevoerd door Pressalit of door personen die door Pressalit zijn gemachtigd.
- Kinderen mogen nooit zonder toezicht dit product bedienen. Dit product is geen speelgoed.
- Gebruik dit product nooit als het defect of beschadigd is. Gebruik het product niet voordat het is gerepareerd.




OPMERKING

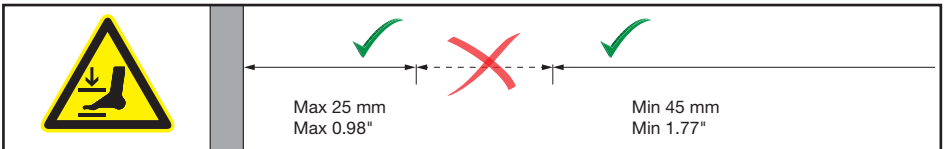
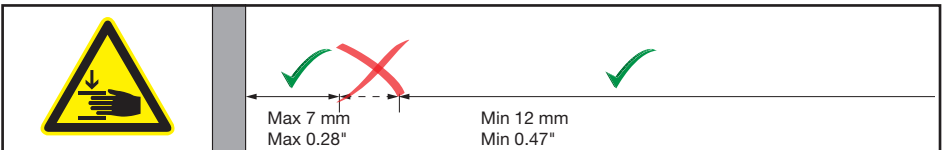
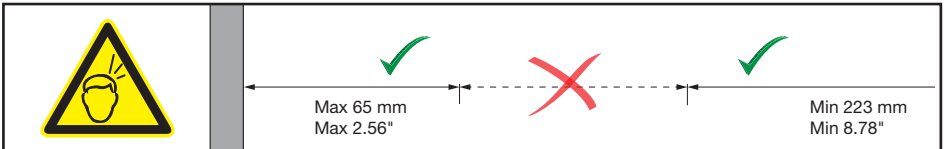
- De informatie in deze handleiding is gebaseerd op een juiste passing van het product conform onze montage-instructies.
- Pressalit is niet aansprakelijk wanneer het product wordt gebruikt op een manier die afwijkt van de in de gids beschreven manier.
- We behouden ons het recht voor deze handleiding aan te passen zonder voorafgaande kennisgeving.

Veiligheidsafstand

Zorg voor voldoende afstand tussen de aankleedtafel en omringende voorwerpen. Controleer vóór gebruik de afstanden.



	EN 12221-1:2008	Pressalit raadt aan
	Max 65 mm (2.56") Min 223 mm (8.78")	Max 60 mm (2.36") Min 300 mm (11.81")
	Max 7 mm (0.28") Min 12 mm (0.47")	Max 4 mm (0.16") Min 25 mm (0.98")
	Max 25 mm (0.98") Min 45 mm (1.77")	Max 8 mm (0.31") Min 120 mm (4.72")



nl

Beoogd gebruik

Dit product is bedoeld voor optimale ergonomie bij de verzorging van kinderen. **Wanneer een aankleedtafel met één actuator wordt gebruikt, mag het gewicht van het kind niet meer zijn dan 75 kg. Wanneer een aankleedtafel met twee actuators wordt gebruikt, mag het gewicht van het kind niet meer zijn dan 150 kg.**

Profiel van beoogde bediener

Het product mag uitsluitend worden bediend door volwassenen.

Gebruiksomgeving

Het product is bedoeld voor gebruik binnenshuis bij kamertemperatuur onder normale bedrijfsomstandigheden.

Levenscyclustest uitgevoerd volgens ISO 17966:2016.

Dit product is getest volgens DS/EN 12221-1 en 12221-2.



Laat het kind nooit zonder toezicht achter.



Pas op voor open vuur of andere hittebronnen, zoals elektrische gloeispiralen, gasvuur en dergelijke, in de nabijheid van de aankleedtafel.



LET OP

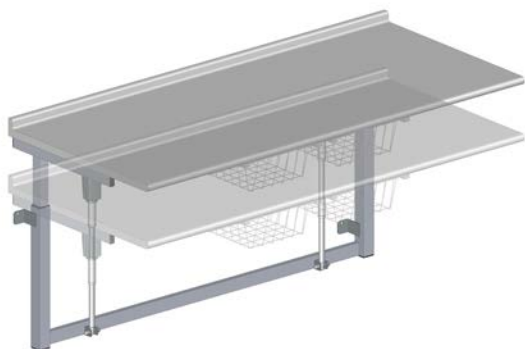
Kinderen mogen nooit zonder toezicht dit product bedienen.

OPMERKING

Plaats het kind altijd op een aankleedtafelmatras en niet rechtstreeks op de tafel.

Gebruiksaanwijzingen

De hoogte van de aankleedtafel kan van 650 tot 1000 mm omhoog en omlaag worden aangepast.



De hoogteafstelling kan worden geregeld met de bedrade afstandsbedieningseenheid.



Druk op de knop Omhoog en houd deze ingedrukt om de tafel omhoog te brengen.

De tafel stopt met bewegen wanneer u de knop loslaat.



Druk op de knop Omlaag en houd deze ingedrukt om de tafel naar beneden te brengen.

De tafel stopt met bewegen wanneer u de knop loslaat.



Om het risico op wurging te voorkomen, dient u ervoor te zorgen dat de bedrade afstandsbediening in de houder wordt geplaatst wanneer deze niet wordt gebruikt.

nl



Wees voorzichtig om letsel aan uw handen en hoofd te voorkomen wanneer u zich in de buurt bevindt van bewegende mechanische onderdelen.

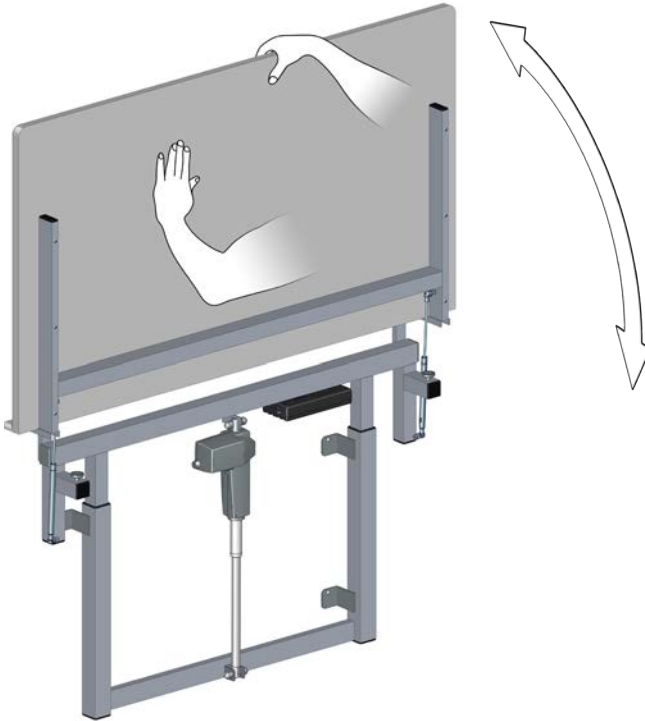


LET OP

Plaats nooit voorwerpen onder de aankleedtafel.

Omhoog en omlaag klappen

De modellen R8721, R8921, R8722, R8922, R8723 kunnen na gebruik tegen de wand worden geklapt.



nl Zorg er bij het in- en uitklappen van de tafel voor dat u het ligoppervlak ondersteunt met uw hand en/of lichaam om het risico op schade te vermijden.

De ingebouwde pneumatische gascilinders zorgen ervoor dat de tafel eenvoudig in- en uitgeklapt kan worden.



Wees voorzichtig om letsel aan uw handen en hoofd te voorkomen wanneer u zich in de buurt bevindt van bewegende mechanische onderdelen.

Reinigen

Het product dient met warm water of een mild reinigingsmiddel te worden gereinigd. Een lijst met geschikte reinigingsmiddelen die zijn getest door Pressalit vindt u op pressalit.com.

LET OP

Lees altijd het veiligheidsinformatieblad (MSDS) en de geleverde instructies voor het reinigings-, desinfectie- of ontkalkingsmiddel en volg alle instructies voor veilig gebruik, verdunnen, spoelen, drogen, hanteren en opslag van het middel op.

BELANGRIJK

- Gebruik geen autoclaaf of een andere stoomreiniger.
- Vermijd het gebruik van agressieve reinigingsmiddelen die zuur bevatten.
- Spuit nooit rechtstreeks met een hogedrukspuit op het product.
- Vermijd het gebruik van schurende of bijtende reinigings- of desinfectieproducten of reinigings- of desinfectieproducten op basis van chloor.

Onderhoud

De verwachte levensduur van de omkleedtafel is 9 jaar, op voorwaarde dat onderhoud wordt uitgevoerd zoals hieronder beschreven:

Het wordt aanbevolen wekelijks de motoren van het product te laten lopen tot de maximale standen door het product tot de volledige hoogte omhoog te brengen en vervolgens tot de laagste stand neer te laten, zodat de inwendige onderdelen worden gesmeerd.

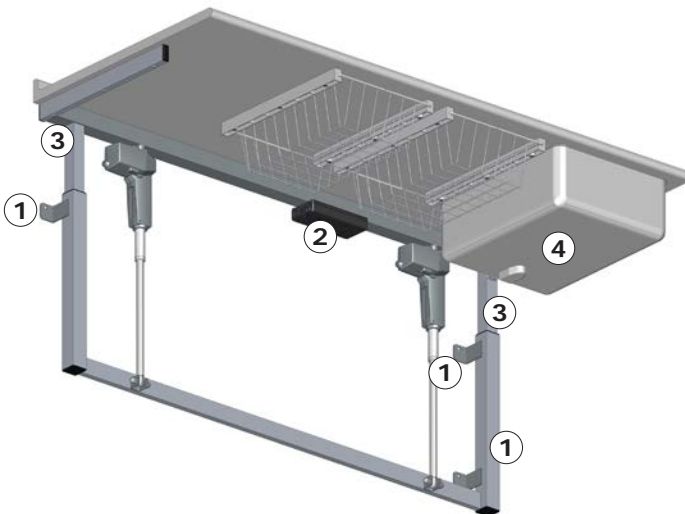
Het wordt aanbevolen eenmaal per jaar een onderhoudsinspectie uit te voeren.

Onderhoudsinspectie

Zet de aankleedtafel in de hoogste stand.



Sluit de stroomvoorziening af voorafgaand aan inspectie.



- Controleer de wandbeugels ① en zet deze zo nodig vast.
- Controleer alle elektrische verbindingen met de regelkast ②.
- Smeer bewegende onderdelen, met name de schuivende beugels ③.
- Controleer de afvoer van de wastafel ④ op lekkage (als een wastafel is geïnstalleerd).

Sluit de netvoeding opnieuw aan.

Productlabel

PRESSALIT®

① **REF** RZZZZYYYYXXX-X

② **SN** RZZZZYYYYXXX-X

③ YYYYY-MM-DD

④

⑤

⑥ XXX kg
XXX lbs

⑦ P:X W

⑧ I:XXA

⑨ IPXX

⑩ U:XXXV

⑪ XX-XX Hz

⑫ **Xxxxxx**

⑬ DS/EN XXXXX-X/X A1:YYYY

⑭ Pressalit A/S
Pressalitvej 1
DK-8680 Ry
+45 8788 8777
pressalit.com

⑮ **CE** **UK CA**

⑯ YYYYYYYY XXXXXX

nl

①	Artikelnummer
②	Serienummer
③	Fabricagedatum
④	Raadpleeg de gebruikshandleiding
⑤	Niet afvoeren met het ongesorteerde huishoudelijk afval. Het product moet afzonderlijk worden ingezameld en worden getourneerd aan een speciale recyclingdienst.
⑥	Gewicht van product
⑦	Maximaal stroomverbruik
⑧	Elektrische stroom
⑨	Naam en adres van fabrikant
	Deze producten dragen de CE-markering in overeenstemming met de relevante vereisten in:
⑩	<ul style="list-style-type: none"> • Richtlijn 2006/42/EG van de Raad (van 17 mei 2006) betreffende machines. • Richtlijn 2011/65/EG van de Raad (van 8 juni 2011) betreffende RoHS.
⑪	EAN 13-streepjescode
⑫	Raadpleeg de handleiding voor belangrijke waarschuwingsinformatie, zoals waarschuwingen en voorzorgsmaatregelen.
⑬	Dit product bevat geen van de gevaarlijke stoffen die worden vermeld in Europese richtlijn 2011/65/EG betreffende RoHS.
⑭	Levenscyclus
⑮	Maximaal gewicht van gebruiker
⑯	Netspanning
⑰	Frequentie
⑱	Norm volgens welke het product is geproduceerd (indien van toepassing).
	Deze producten dragen de UKCA-markering in overeenstemming met de relevante vereisten in:
⑲	<ul style="list-style-type: none"> • Supply of Machinery (Safety) Regulations 2008. • De richtlijnen van 2012 voor beperking op het gebruik van bepaalde gevaarlijke stoffen in elektrische en elektronische apparatuur.
	Een conformiteitsverklaring kan worden gevonden op pressalit.com .

Probleemoplossing

Symptoom	Oorzaak	Actie
Het product werkt niet, hoewel de bekabelde afstandsbediening juist wordt gebruikt.	Storing in voedingseenheid.	Controleer of alle snoeren en stekkers intact zijn en goed zijn aangesloten. Neem contact op met Pressalit A/S of uw plaatselijke dealer.
Het product beweegt ongelijkmatig omhoog en omlaag.	De schuivende beugels zijn niet goed gesmeerd.	Smeer de schuivende beugels zoals beschreven in "Onderhoud".
De mandjes kunnen niet geopend/ gesloten worden.	Het mandje is mogelijk onbedoeld gedraaid.	Probeer het mandje recht te maken.

Neem contact op met Pressalit A/S of uw dealer als het probleem niet kan worden verholpen. Probeer niet zelf het product te repareren, omdat de garantie hierdoor komt te vervallen.

Opslag en transport

- De temperatuur voor transport en opslag van het apparaat moet tussen de 5 en 40° Celsius zijn.
- Het apparaat dient altijd in de originele verpakking getransporteerd te worden.
- Stel de verpakking niet bloot aan schokken en stoten.
- Gebruik het product niet als de verpakking kapot of beschadigd is.

Afvoer en recycling

De eenheid bevat herbruikbare materialen. Er zijn geen bekende gevaren of risico's gekoppeld aan het afvoeren van het product. Alle onderdelen kunnen na reiniging en desinfectie worden afgevoerd.

We raden u aan het product bij afvoer te demonteren en onder te verdelen in afvalgroepen voor recycling of verbranding.

De volgende tabel biedt informatie over het recyclen en hanteren van het product.

Recyclebare onderdelen	Materiaal
Staal	Staal kan worden gerecycled door het te smelten en te gebruiken als secundair materiaal bij de productie van nieuw staal.
Kunststof	Gebruik sorteer- en recyclingsystemen voor kunststof wanneer deze lokaal beschikbaar zijn. Het verbranden van kunststof kan in andere gevallen worden gebruikt voor het opwekken van energie die bijvoorbeeld kan worden gebruikt voor cogeneratie.
Elektronica	De elektronische onderdelen moeten afzonderlijk worden ingezameld en worden geretourneerd aan een speciale recyclingdienst.

Innehåll

Monteringsinstruktion	79
Visuell snabbguide	79
Symboler som används i manualen.....	80
Allmän säkerhetsinformation	81
Säkerhetsavstånd.....	82
Avsedd användning	83
Användare	83
Användningsmiljö	83
Användningsinstruktioner.....	84
Fälla upp eller ned	85
Rengöring	86
Underhåll.....	87
Underhållsinspektion	87
Produktetikett.....	88
Åtgärda fel	90
Förvaring och transport	91
Kassering och återvinning	91

Monteringsinstruktion



En monteringsinstruktion medföljer den här produkten. Den går även att ladda ned på pressalit.com.

Visuell snabbguide

SV



















En visuell snabbguide kan laddas ned på pressalit.com.

VIKTIGT

SPARA MANUALEN FÖR REFERENS I FRAMTIDEN.
LÄS MANUALEN NOGGRANT.

Symboler som används i manualen

Följande symboler används i manualen samt i övrig dokumentation som medföljer produkten.

 VARNING		VARNING indikerar en potentiellt farlig situation som kan orsaka dödsfall eller allvarlig skada om den inte undviks.	
 VAR FÖRSIKTIG		VAR FÖRSIKTIG indikerar en potentiellt farlig situation som kan orsaka mindre eller måttlig skada om den inte undviks. Kan också användas för att varna för osäker hantering.	
 VIKTIGT		VIKTIGT indikerar viktig information om hantering och användning av produkten.	
 OBS		OBS används för att informera om hantering som inte är relaterad till personlig säkerhet.	
 Varning för huvudskada	 Varning för handskada	 Varning för fotskada	 Varning för elektricitet/ spänning
 Varning för stark värme	 Lämna inte barnet utan tillsyn	 Kompatibla produkter	 Reservdelar
 Specifikationer för ström-försörjning	 Produktvikt	 Användarens maxvikt	 Artikelnummer/ versioner

SV

Allmän säkerhetsinformation

VARNING

- Se till att du har läst och förstått manualen fullständigt innan du använder produkten. Förvara manualen nära produkten.
- Följ anvisningarna i manualen för att undvika olyckor som kan orsaka allvarliga personskador.
- Använd aldrig produkten på något annat sätt än vad som beskrivs i den här manualen eftersom du då riskerar att skada både dig själv och produkten.
- Se till att alla personer som ska installera eller använda produkten och de tillhörande systemen har fått den information som behövs samt att de har tillgång till manualen.

VAR FÖRSIKTIG

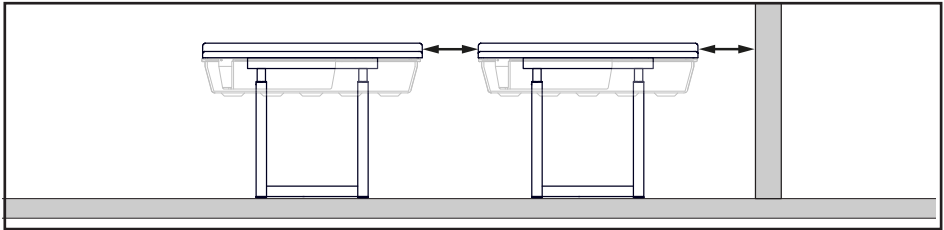
- Följ anvisningarna för att undvika att produkten skadas eller förstörs.
- Försök inte reparera, demontera, montera eller göra tillägg till produkten eller ändra den på något sätt. Sådana åtgärder får endast utföras av Pressalit eller av personer som fått behörighet av Pressalit.
- Låt aldrig barn använda produkten ensamma. Den är inte avsedd för lek.
- Använd aldrig produkten om den är trasig eller skadad. Vänta med att använda en defekt produkt tills den har reparerats.

OBS

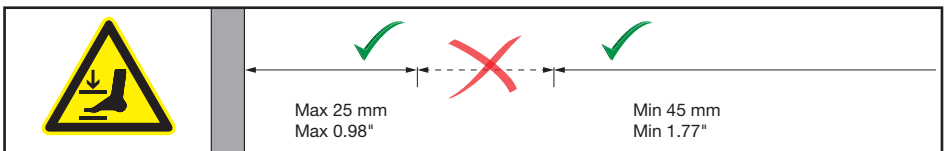
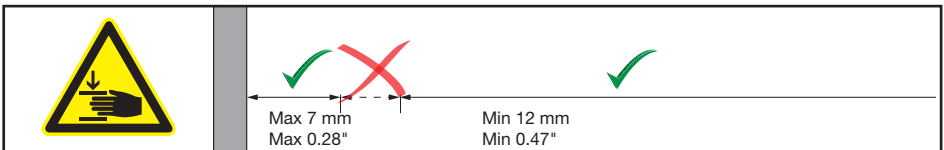
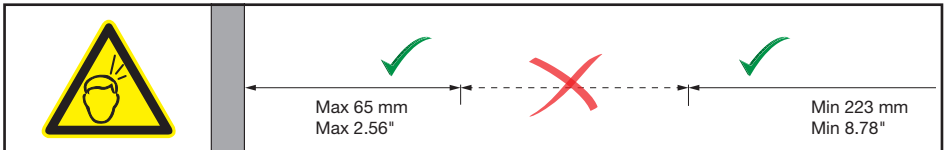
- Informationen i den här manualen är baserad på att produkten är korrekt monterad enligt våra anvisningar.
- Pressalit tar inget ansvar för eventuella fel som uppstår om produkten används på något annat sätt än vad som beskrivs i manualen.
- Vi förbehåller oss rätten att göra ändringar i manualen utan att meddela detta i förväg.

Säkerhetsavstånd

Se till att skötbordet är på säkert avstånd från omgivande föremål.
Kontrollera avståndet innan användning.



	EN 12221-1:2008	Pressalit rekommenderar
	Max 65 mm (2.56") Min 223 mm (8.78")	Max 60 mm (2.36") Min 300 mm (11.81")
	Max 7 mm (0.28") Min 12 mm (0.47")	Max 4 mm (0.16") Min 25 mm (0.98")
	Max 25 mm (0.98") Min 45 mm (1.77")	Max 8 mm (0.31") Min 120 mm (4.72")



SV

Avsedd användning

Den här produkten är avsedd att ge optimala ergonomiska förutsättningar vid skötsel av barn. **När skötbordet med en kolvstång används får barnets vikt inte överstiga 75 kg.**

När skötbordet med två kolvstänger används får barnets vikt inte överstiga 150 kg.

Användare

Produkten får bara användas av vuxna.

Användningsmiljö

Produkten är avsedd för användning inomhus i rumstemperatur under normala arbetsförhållanden.

Livscykeltest har utförts enligt ISO 17966:2016.

Den här produkten har testats enligt SS/EN 12221-1 och 12221-2.



Lämna inte barnet utan tillsyn.



Tänk på risker med öppen eld och andra starka värmekällor som elektriska öppna spisar, gasbrasor och liknande i närheten av skötbordet.



VAR FÖRSIKTIG

Låt aldrig barn använda produkten ensam.

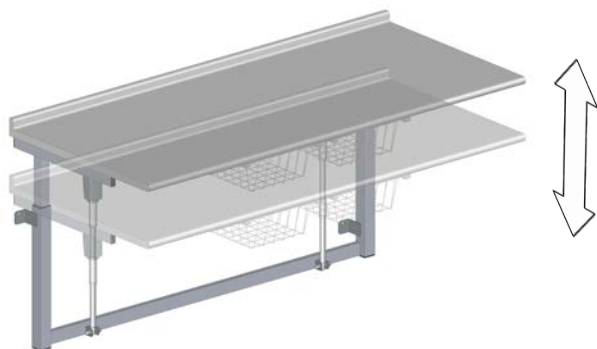
OBS

Lägg alltid barnet på en dyna eller madrass och inte direkt på skötbordet.

SV

Användningsinstruktioner

Skötbordet kan justeras från 650 till 1 000 mm uppåt och nedåt.



Höjjusteringen utförs via en trådbunden manöverdosa.



Tryck på upp-knappen och håll ned den för att höja enheten.

Höjningen/sänkningen stoppas när du släpper knappen.



Tryck på ned-knappen och håll ned den för att sänka enheten.

Höjningen/sänkningen stoppas när du släpper knappen.



För att undvika risk för strypning ska den trådbundna manöverdosan alltid vara placerad i hållaren när den inte används.

SV



Se till att du inte skadar händerna eller huvudet när du är i närheten av rörliga mekaniska delar.

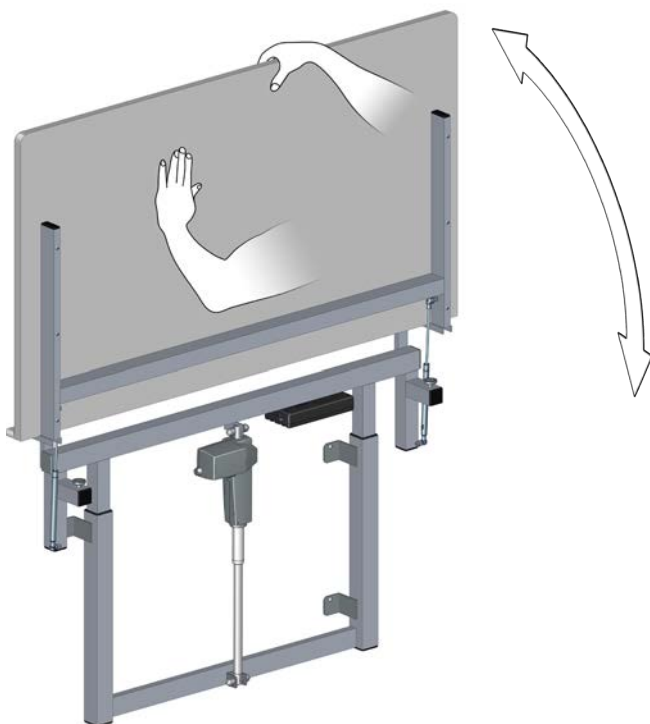


VAR FÖRSIKTIG

Placera aldrig föremål under skötbordet.

Fälla upp eller ned

Modellerna R8721, R8921, R8722, R8922, R8723 kan fällas upp mot väggen efter användning.



När skötbordet fälls upp eller ned ska du hålla emot liggytan med en hand eller med kroppen för att undvika skaderisk.

De integrerade pneumatiska gascylindrarna gör det enkelt att fälla upp eller ned skötbordet.

SV



Se till att du inte skadar händerna eller huvudet när du är i närheten av rörliga mekaniska delar.

Rengöring

Produkten ska rengöras med varmt vatten eller ett mild tvålbaserat rengöringsmedel. På pressalit.com finns en lista över lämpliga rengöringsmedel som har testats av Pressalit.



VAR FÖRSIKTIG

Läs alltid materialsäkerhetsdatabladet (MSDS) och de medföljande anvisningarna till det aktuella rengörings-, desinficerings- eller avkalkningsmedlet avseende säker användning, spädning, sköljning, torkning, hantering och förvaring.

VIKTIGT

- Använd inte en autoklav eller någon annan typ av ångtvätt för rengöring.
- Undvik aggressiva rengöringsmedel som innehåller syror.
- Spruta aldrig med högtryckstvätt direkt på produkten.
- Undvik användning av slipande, korrosiva eller klorbaserade rengörings- eller desinficeringsprodukter.

Underhåll

Den förväntade användningstiden för skötbordet är 9 år, förutsatt att underhåll utförs enligt anvisningarna nedan:

Vi rekommenderar att du varje vecka kör motorerna till maxpositionerna genom att du först lyfter produkten till maxhöjd och sedan sänker den till sin lägsta position så att de interna delarna smörjs.

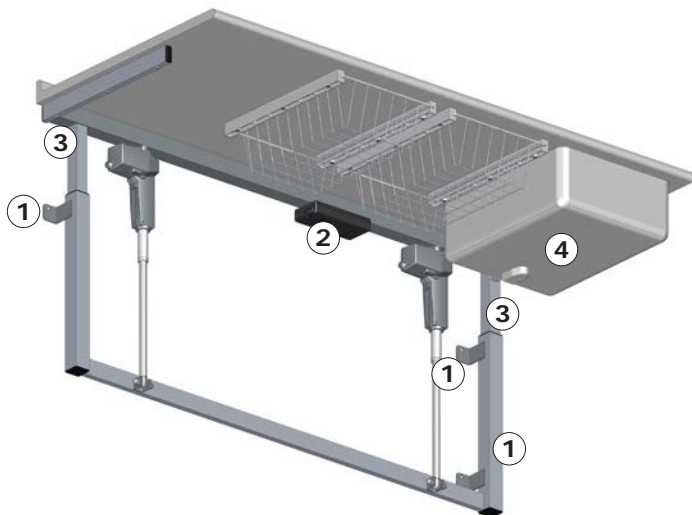
Vi rekommenderar att en underhållsinspektion utförs varje år.

Underhållsinspektion

Höj skötbordet till sin högsta position.



Koppla från anslutningen till elnätet innan inspektion.



- Kontrollera väggfästena ① och dra åt dem om det behövs.
- Kontrollera alla elektriska anslutningar på manöverdosan ②.
- Smörj rörliga delar, framför allt glidskenorna ③.
- Kontrollera om tvättställets avloppsrör ④ har läckor (om ett tvättställ är monterat).


Koppla in anslutningen till elnätet igen.



Produktetikett



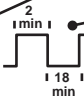
PRESSALIT®


① **REF** RZZZZYYYYXXX-X


② **SN** RZZZZYYYYXXX-X

③  YYYY-MM-DD

④  

⑤   

⑥  XXX kg
XXX lbs

⑦  XXX kg
XXX lbs


⑧ P:X W U:XXXV

⑨ I:XXA XX-XX Hz


⑩ IPXX

⑪ **Xxxxxx**

⑫ DS/EN XXXXX-X/X A1:YYYY

⑬  Pressalit A/S
Pressalitvej 1
DK-8680 Ry
+45 8788 8777
pressalit.com

⑭ **CE** **UK CA**

⑮ 
YYYYYYYY XXXXXX

sv

- ① Artikelnummer
- ② Serienummer
- ③ Tillverkningsdatum
- ④ Läs manualen för att få anvisningar om användning.
- ⑤ Produkten får inte kasseras som vanligt hushållsavfall. Avfallssortera de olika delarna och lämna in dem för återvinning på därför avsedd plats.
- ⑥ Produktvikt
- ⑦ Maximal energiförbrukning
- ⑧ Elektrisk ström
- ⑨ Tillverkarens namn och adress
- ⑩ De här produkterna är CE-märkta i enlighet med relevanta krav i:
 - Maskindirektivet 2006/42/EG (av den 17 maj 2006).
 - RoHS-direktivet 2011/65/EG (av den 8 juni 2011).
- ⑪ Streckkod EAN 13
- ⑫ Läs manualen för att få veta innebörden i viktig säkerhetsinformation som varningar och försiktighetsåtgärder.
- ⑬ Produkten innehåller inga av de farliga ämnen som är angivna i RoHS-direktivet 2011/65/EG.
- ⑭ Arbetscykel
- ⑮ Användarens maxvikt
- ⑯ Nätspänning
- ⑰ Frekvens
- ⑱ Standard som produkten är tillverkad i enlighet med (om tillämpligt).
 - De här produkterna är UKCA-märkta i enlighet med relevanta krav i:
 - Supply of Machinery (Safety) Regulations 2008.
 - Förordningen om begränsning av användning av vissa farliga ämnen i elektrisk och elektronisk utrustning (2012).
 - En försäkran om överensstämmelse finns på pressalit.com.

Åtgärda fel

Symptom	Orsak	Åtgärd
Produkten fungerar inte fastän den trådbundna manöverdosan används på rätt sätt.	Fel på strömförsörjningen.	Kontrollera att alla kablar och kontakter är oskadade och anslutna på rätt sätt. Kontakta Pressalit A/S eller din lokala återförsäljare.
Det går hackigt när produkten flyttas uppåt och nedåt.	Glidskenorna behöver smörjas.	Smörj in glidskenorna enligt anvisningarna i "Underhåll".
Det går inte att stänga/öppna en korg.	Korgen kan ha vridits oavsiktligt.	Placera korgen rätt.

Kontakta Pressalit A/S eller din återförsäljare om du inte kan åtgärda problemet. Försök inte reparera produkten själv eftersom det gör att garantin upphör att gälla.

Förvaring och transport

- Temperaturen vid transport och förvaring måste ligga mellan 5 och 40 °C.
- Enheten måste alltid transporteras i sin originalförpackning.
- Se till att förpackningen inte utsätts för stötar.
- Använd inte produkten om förpackningen är trasig eller skadad.

Kassering och återvinning

Produkten innehåller material som går att återvinna. Det finns inga kända risker förknippade med kassering av produkten. Alla komponenter kan kasseras efter att de har rengjorts och desinficerats.

Vid kassering av produkten rekommenderar vi att den demonteras och att de olika delarna avfallssorteras för återvinning eller förbränning.

I följande tabell finns information om återvinning och hantering av produkten.

Komponenter som kan återvinnas	Material
Stål	Stål kan återvinnas genom att smältas ned och inkluderas som ett sekundärt material vid tillverkning av nytt stål.
Plast	Sortera som plastavfall.
Elektronik	De elektroniska komponenterna ska samlas in och sorteras som elektriskt avfall.

SV

Innholdsfortegnelse

Monteringsanvisning	92
Visuell hurtigveiledning	92
Symboler brukt i denne brukerhåndboken	93
Generell sikkerhet	94
Sikkerhetsavstande	95
Tiltenkt bruk	96
Krav til operatører	96
Krav til omgivelsene ved bruk	96
Bruksanvisning	97
Folde opp og ned	98
Rengjøring	99
Vedlikehold	100
Vedlikeholdskontroll	100
Produktetikett	101
Feilsøking	103
Oppbevaring og transport	104
Kassering og gjenvinning	104

Monteringsanvisning



En monteringsanvisning er inkludert med dette produktet. Den kan også lastes ned fra pressalit.com.

Visuell hurtigveiledning



En visuell hurtigveiledning kan lastes ned fra pressalit.com.

VIKTIG

TA VARE PÅ DENNE BRUKSANVISNINGEN FOR FREMTIDIG REFERANSE.
LES NØYE.

Symboler brukt i denne brukerhåndboken

De følgende symbolene brukes i denne brukerhåndboken og i den tilhørende dokumentasjonen som følger med produktet.

 ADVARSEL	ADVARSEL indikerer en potensiell farlig situasjon som, hvis den ikke unngås, kan føre til død eller alvorlig personskade.		
 FORSIKTIG	FORSIKTIG angir en potensielt farlig situasjon som, hvis den ikke unngås, kan føre til mindre eller moderate personskader. Det kan også brukes for å advare mot feilaktig bruk.		
VIKTIG	VIKTIG angir viktig informasjon om korrekt håndtering og bruk av produktet.		
MERKNAD	MERKNAD indikerer forhold som ikke er relatert til personlig sikkerhet.		
			
Advarsel om hodeskade	Advarsel om håndskade	Advarsel om fotskader	Advarsel om elektrisitet/spenning
			
Advarsel om sterk varme	Ikke forlat barnet uten tilsyn	Kompatible produkter	Reservedeler
			REF
Strømspesifikasjoner	Produktvekt	Maksimal brukervekt	Artikkelnummer/-versjoner

no

Generell sikkerhet

ADVARSEL

- Les og forstå brukerhåndboken fullstendig før bruk. Oppbevar brukerhåndboken nær enheten.
- Følg instruksjonene i denne brukerhåndboken for å unngå ulykker som kan føre til alvorlig personskade.
- Dette produktet skal aldri brukes eller håndteres på andre måter enn som beskrevet i denne brukerhåndboken. Dette kan redusere sikkerheten for deg og føre til skade på produktet.
- Sørg for at alle som skal montere eller bruke produktet og systemene, har all nødvendig informasjon og tilgang til denne brukerhåndboken.

FORSIKTIG

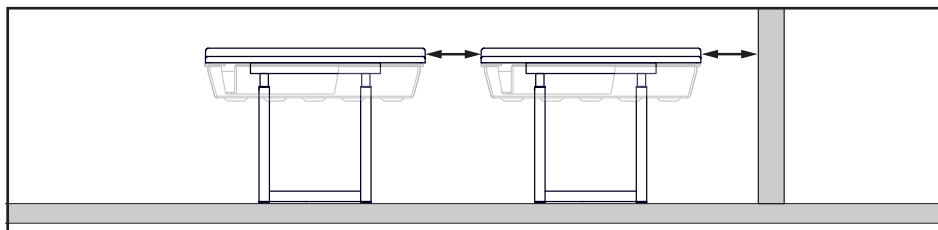
- Følg disse instruksjonene for å unngå at produktet skades eller ødelegges.
- Ikke utfør reparasjoner, demonterings- eller monteringsoperasjoner, utvidelser, justeringer eller modifikasjoner på dette produktet. Dette skal kun utføres av Pressalit eller personer som er autorisert av Pressalit.
- La aldri barn bruke dette produktet uten tilsyn. Produktet er ikke et leketøy.
- Bruk aldri produktet hvis det er defekt eller skadet. Bruk ikke et defekt produkt før det er blitt reparert.

MERKNAD

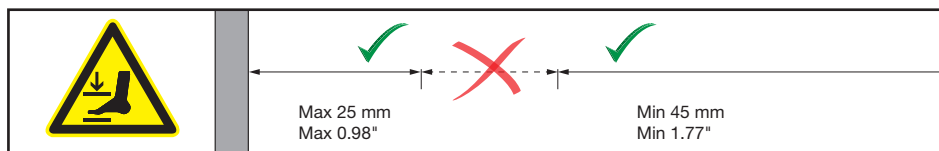
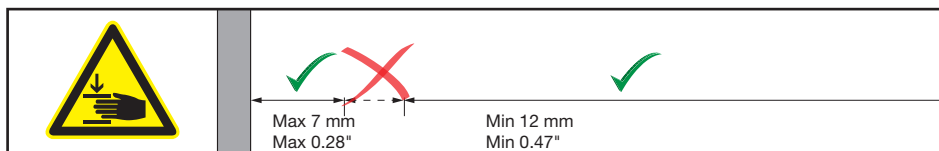
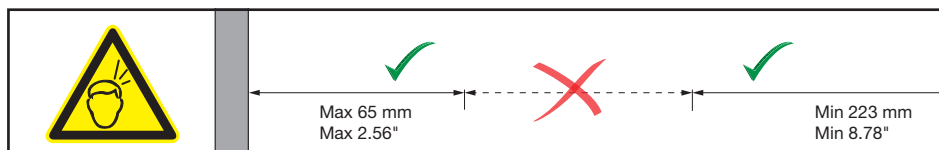
- Informasjonen i denne brukerhåndboken forutsetter at produktet er riktig montert i samsvar med våre monteringsinstruksjoner.
- Pressalit kan ikke holdes ansvarlig hvis produktet brukes på annen måte enn som beskrevet i veiledningen.
- Vi forbeholder oss retten til å foreta endringer i denne brukerhåndboken uten varsel.

Sikkerhetsavstande

Sørg for at stellet er i sikker avstand fra gjenstander i nærheten. Kontroller avstandene før bruk.



	EN 12221-1:2008	Pressalit anbefaler
	Max 65 mm (2.56") Min 223 mm (8.78")	Max 60 mm (2.36") Min 300 mm (11.81")
	Max 7 mm (0.28") Min 12 mm (0.47")	Max 4 mm (0.16") Min 25 mm (0.98")
	Max 25 mm (0.98") Min 45 mm (1.77")	Max 8 mm (0.31") Min 120 mm (4.72")



no

Tiltenkt bruk

Dette produktet er laget for optimal ergonomi ved stell av barn. **Ved bruk av et stellebord med én aktuator, kan ikke barnets vekt overskride 75 kg. Ved bruk av et stellebord med to aktuatorer, kan ikke barnets vekt overskride 150 kg.**

Krav til operatører

Produktet skal kun betjenes av voksne.

Krav til omgivelsene ved bruk

Produktet er tiltenkt bruk innendørs ved romtemperatur under normale driftsforhold.

Livssyklus testing utført iht. ISO 17966:2016.

Dette produktet er testet i henhold til DS/EN 12221-1 og 12221-2.



Ikke forlat barnet uten tilsyn.



Vær oppmerksom på faren ved å ha åpen ild og andre sterke varmekilder, for eksempel elektriske stråleovner, gasspeiser osv. i umiddelbar nærhet av stellebordet.



FORSIKTIG

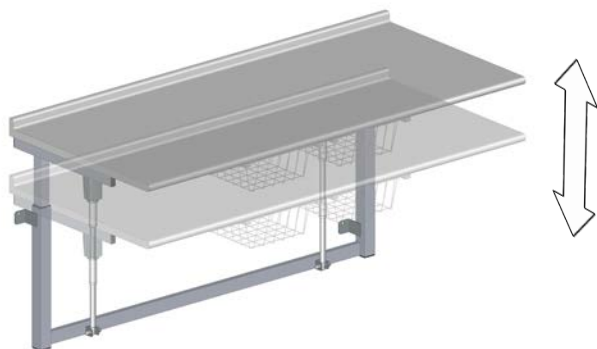
La aldri barn bruke dette produktet uten tilsyn.

MERKNAD

Legg alltid barnet på en stellematte og ikke direkte på bordet.

Bruksanvisning

Stellebordet kan justeres opp og ned fra 650 til 1000 mm.



Høydejusteringen kontrolleres med den kablede fjernkontrollenheten.



Trykk på og hold inne opp-knappen for å heve stellebordet.
Bevegelsen stopper når du slipper knappen.



Trykk på og hold inne ned-knappen for å senke stellebordet.
Bevegelsen stopper når du slipper knappen.



For å unngå fare for kvelning må du sørge for at den kablede fjernkontrollen er plassert i holderen når den ikke er i bruk.



Vær forsiktig for å unngå hånd- og hodeskade når du er i nærheten av mekaniske deler i bevegelse.

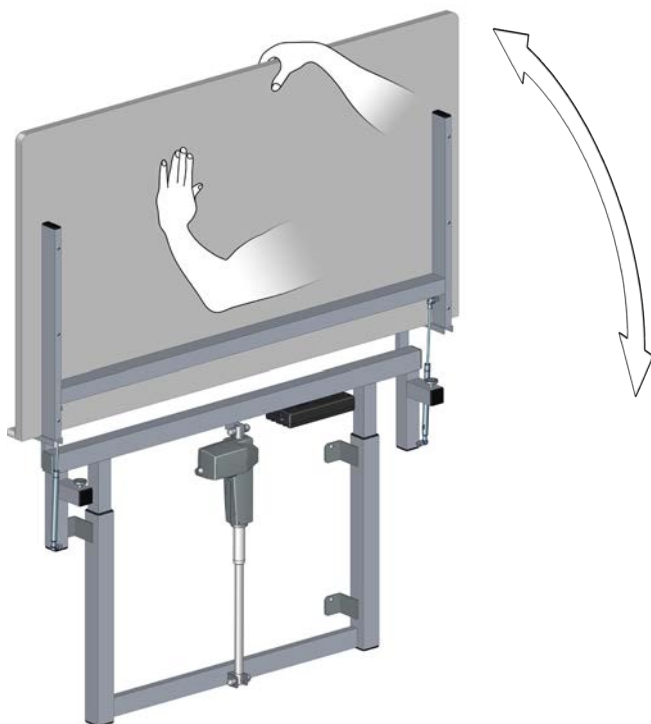


FORSIKTIG

Plaser aldri gjenstander under stellebordet.

Folde opp og ned

Modellene R8721, R8921, R8722, R8922, R8723 kan foldes opp mot veggen etter bruk.



Når bordet foldes opp og ned må du sørge for å støtte liggeoverflaten med hånden og/eller kroppen for å unngå skade.

no De innebygde trykkluftgassylindrene gjør det enkelt å folde opp bordet opp og ned.



Vær forsiktig for å unngå hånd- og hodeskade når du er i nærheten av mekaniske deler i bevegelse.

Rengjøring

Produktet skal rengjøres med varmt vann eller et mildt rengjøringsmiddel. Du finner en liste over passende rengjøringsmidler testet av Pressalit, på www.pressalit.com.



Les alltid produktdatabladet (MSDS) og instruksjonene som følger med rengjørings-, desinfeksjons- eller kalkfjerningsmiddelet, og følg instruksjonene for sikker bruk, fortynning, skylling, tørking, håndtering og oppbevaring av middelet.

VIKTIG

- Ikke bruk autoklavering eller annen type damprengjøring.
- Unngå sterke rengjøringsmidler som inneholder syre.
- Spray aldri produktet direkte med en høytrykksspyler.
- Unngå bruk av skurende, korroderende eller klorbaserte rengjørings- eller desinfeksjonsprodukter.

Vedlikehold

Forventet levetid for stellebordet er 9 år, forutsatt at det vedlikeholdes som beskrevet nedenfor:

Det anbefales å kjøre motorene til maksimal posisjon ukentlig ved å heve produktet til full høyde og deretter senke det til laveste posisjon, slik at de innvendige delene smøres.

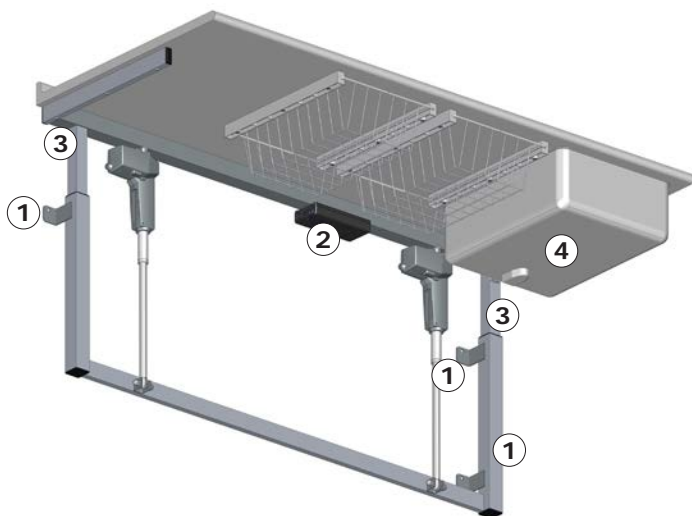
Det anbefales å utføre en vedlikeholdskontroll én gang i året.

Vedlikeholdskontroll

Hev stellebordet til høyeste posisjon.



**Koble fra
strømledningen
før inspeksjon.**



- Sjekk veggbrakettene ① og stram dem ved behov.
- Sjekk alle elektriske koblinger til kontrollboksen ②.
- Smør bevegelige deler, spesielt glidebrakettene ③.
- Kontroller avløpet i vasken ④ for lekkasjer (hvis en vask er montert).


Koble til strømmen igjen.



Produktetikett



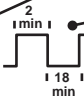
PRESSALIT®


① **REF** RZZZZYYYYXXX-X


② **SN** RZZZZYYYYXXX-X

③  YYYY-MM-DD

④  

⑤   

⑥  XXX kg
XXX lbs

⑦  XXX kg
XXX lbs


⑧ P:X W U:XXXV

⑨ I:XXA XX-XX Hz


⑩ IPXX

⑪ **Xxxxxx**

⑫ DS/EN XXXXX-X/X A1:YYYY

⑬  Pressalit A/S
Pressalitvej 1
DK-8680 Ry
+45 8788 8777
pressalit.com

⑭ **CE** **UK CA**

⑮ 
YYYYYYYY XXXXXX

no

- ① Artikkelnummer

- ② Serienummer

- ③ Produksjonsdato

- ④ Se brukerhåndboken

- ⑤ Skal ikke kastes sammen med usortert husholdningsavfall. Dette produktet skal samles inn separat og returneres til den relevante gjenvinningstjenesten.

- ⑥ Produktvekt

- ⑦ Maksimalt strømforbruk

- ⑧ Elektrisk strøm

- ⑨ Navn og adresse til produsent

- ⑩ Disse produktene er CE-merket i henhold til relevante krav i:
 - Rådskonferanse 2006/42/EF (fra 17. mai 2006) om maskiner.
 - Rådskonferanse 2011/65/EF (fra 8. mai 2011) om RoHS.

- ⑪ EAN 13-strekkode

- ⑫ Se håndboken for viktig sikkerhetsinformasjon som advarsler og forholdsregler.

- ⑬ Dette produktet inneholder ingen av de farlige substansene som nevnes i rådskonferanse 2011/65/EF om RoHS.

- ⑭ Driftssyklus

- ⑮ Maksimal brukervekt

- ⑯ Nettspenning

- ⑰ Frekvens

- ⑱ Standard, dette produktet produseres i henhold til (hvis noen).

Disse produktene er britisk samsvarsmerket (UKCA) i henhold til relevante krav i britisk regelverk:
 - Supply of Machinery (Safety) Regulations 2008.
 - The restriction of the use of certain hazardous substances in electrical and electronic equipment regulations 2012.Du finner en samsvarserklæring på pressalit.com.

Feilsøking

Symptom	Årsak	Tiltak
Produktet fungerer ikke, selv om den kablede fjernkontrollen brukes riktig.	Feil på strømforsyningen.	Sjekk at alle ledninger og plugger er intakte og riktig tilkoblet. Kontakt Pressalit A/S eller din lokale forhandler.
Produktet heves og senkes ujevnt.	Glidebrakettene er ikke tilstrekkelig smurt.	Smør glidebrakettene som beskrevet i "Vedlikehold".
Kurvene kan ikke åpnes/lukkes.	Kurven kan være vridd.	Prøv å rette opp kurven.

Kontakt Pressalit A/S eller forhandleren din hvis problemet vedvarer. Ikke prøv å reparere produktet selv, da dette vil gjøre garantien ugyldig.

Oppbevaring og transport

- Temperaturen for transport og oppbevaring av enheten må være mellom 5 og 40 grader Celsius.
- Enheten må alltid transporteres i original emballasje.
- Unngå å utsette emballasjen for støt og slag.
- Bruk aldri produktet hvis emballasjen er defekt eller skadet.

Kassering og gjenvinning

Enheten inneholder materiale som kan gjenvinnes. Det er ingen kjente farer eller risikoer forbundet med avhending av produktet. Alle komponenter kan kasseres når de er blitt rengjort og desinfisert.

Når produktet avhendes, anbefaler vi at det demonteres og sorteres i ulike avfallsgrupper for gjenvinning eller forbrenning.

Den følgende tabellen gir informasjon om gjenvinning og håndtering av produktet.

Komponenter som kan gjenvinnes	Materiale
Stål	Stål kan gjenvinnes ved at det smeltes ned og inkluderes som et sekundærmateriale ved produksjon av nytt stål.
Plast	Bruk plastsorterings- og -gjenvinningssystemer hvis slike finnes tilgjengelig lokalt. Hvis ikke kan plasten brennes, noe som genererer ny energi som for eksempel kan brukes ved kombinert varme- og kraftproduksjon.
Elektronikk	De elektroniske komponentene skal samles inn separat og returneres til den relevante gjenvinningstjenesten.

Sisältö

Asennusohje	105
Kuvallinen käyttöohje	105
Tässä oppaassa käytetyt symbolit	106
Yleinen turvallisuus	107
Turvaetäisyydet	108
Käyttötarkoitus	109
Hoitajan profiili	109
Käyttöympäristö	109
Käyttöohjeet	110
Taitto ylös ja alas	111
Puhdistus	112
Huolto	113
Huoltotarkastus	113
Tuotetarra	114
Vianmääritys	116
Varastointi ja kuljetus	117
Hävittäminen ja kierrätys	117

Asennusohje



Tuotteen mukana toimitetaan asennusohjeet. Ohjeet voi ladata myös osoitteesta pressalit.com.

Kuvallinen käyttöohje



Kuvallisen käyttöohjeen voi ladata osoitteesta pressalit.com.

fi

TÄRKEÄÄ

SÄILYTÄ TÄMÄ OPAS MYÖHEMPÄÄ KÄYTTÖÄ VARTEN. LUE HUOLELLISESTI.

Tässä oppaassa käytetyt symbolit

Tässä oppaassa ja tuotteen mukana toimitetuissa ohjeissa käytetään seuraavia symboleja.



VAROITUS viittaa mahdollisesti vaaralliseen tilanteeseen, joka voi johtaa kuolemaan tai vakavaan loukkaantumiseen, jos sitä ei vältetä.



HUOMAUTUS viittaa mahdollisesti vaaralliseen tilanteeseen, joka voi johtaa lievään tai kohtalaiseen loukkaantumiseen, jos sitä ei vältetä. Sitä voidaan käyttää myös varoittamaan vaarallisista käytännöistä.



TÄRKEÄÄ viittaa tärkeisiin tietoihin tuotteen käsittelystä ja käytöstä.



HUOMAA-merkintää käytetään sellaisten käytäntöjen käsittelyyn, jotka eivät liity henkilökohtaiseen turvallisuuteen.



Päävamman varoitus



Käsvamman varoitus



Jalkavamman varoitus



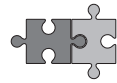
Sähkö-/jännitevaroitus



Voimakkaan lämmön varoitus



Älä jätä lasta ilman valvontaa



Yhteensopivat tuotteet



Varaosat



Virtatiedot



Tuotteen paino



Käyttäjän enimmäispaino



Artikkelin numero/versiot

Yleinen turvallisuus

VAROITUS

- Lue ja ymmärrä käyttöohje huolellisesti ennen käyttöä. Pidä käyttöopas lähellä laitetta.
- Noudata tätä käyttöohjetta, jotta vältät onnettomuudet, myös vakavat henkilövahingot.
- Älä koskaan käytä tai käsittele tuotetta muulla kuin tässä käyttöohjeessa mainitulla tavalla, sillä se voi vaarantaa turvallisuutesi ja vahingoittaa tuotetta.
- Varmista, että kaikilla tuotteen käyttäjillä ja sen järjestelmien asentajilla on tarvittavat tiedot ja pääsy tähän käyttöohjeeseen.

HUOMAUTUS

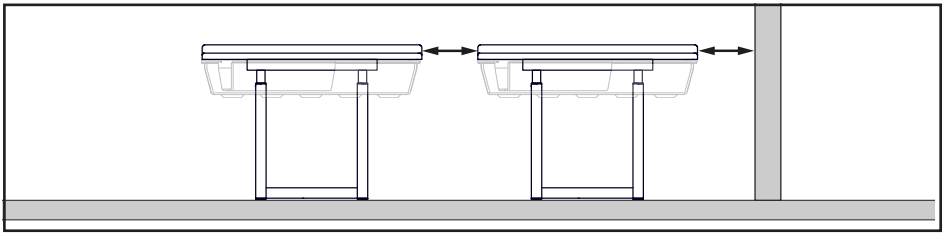
- Noudata näitä ohjeita, jotta tuote ei vahingoitu tai tuhoudu.
- Älä tee tähän tuotteeseen korjaus-, purku- tai kokoonpanotoimenpiteitä, laajennuksia, säätöjä tai muutoksia. Ne on annettava ainoastaan Pressalitin tai Pressalitin valtuuttamien henkilöiden tehtäväksi.
- Älä koskaan anna lasten käyttää tätä tuotetta ilman valvontaa. Tuotetta ei ole tarkoitettu leikkimiseen.
- Älä koskaan käytä tuotetta, jos se on viallinen tai vaurioitunut. Älä käytä viallista tuotetta ennen kuin se on korjattu.

HUOMAA

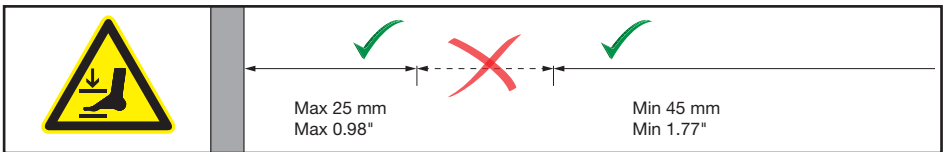
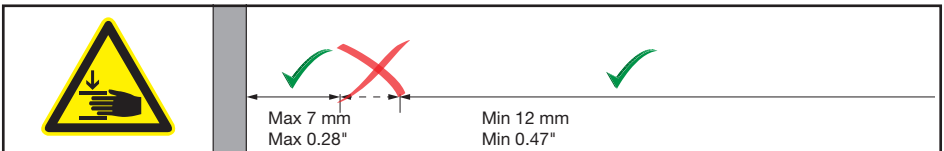
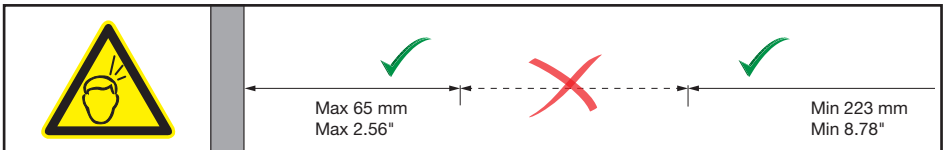
- Tämän käyttöohjeen tiedot perustuvat asennusohjeidemme mukaisesti oikein asennettuun tuotteeseen.
- Pressalit ei ole vastuussa, jos tuotetta käytetään tavalla, joka poikkeaa oppaassa kuvatusta.
- Pidätämme oikeuden muuttaa tätä käyttöohjetta ilman ennakoilmoitusta.

Turvaetäisyydet

Varmista, että hoitopöytä on turvallisella etäisyydellä ympäröivistä esineistä. Tarkista etäisyydet ennen käyttöä.



	EN 12221-1:2008	Pressalit suosittelee
	Max 65 mm (2.56") Min 223 mm (8.78")	Max 60 mm (2.36") Min 300 mm (11.81")
	Max 7 mm (0.28") Min 12 mm (0.47")	Max 4 mm (0.16") Min 25 mm (0.98")
	Max 25 mm (0.98") Min 45 mm (1.77")	Max 8 mm (0.31") Min 120 mm (4.72")



fi

Käyttötarkoitus

Tämä tuote on tarkoitettu optimaalisen ergonomian varmistamiseen lapsia hoidettaessa. **Kun hoitopöytää käytetään yhdellä toimilaitteella, lapsen paino saa olla enintään 75 kg (165 lbs).**

Kun hoitopöytää käytetään kahdella toimilaitteella, lapsen paino saa olla enintään 150 kg (330 lbs).

Hoitajan profiili

Tuotetta saavat käyttää vain aikuiset.

Käyttöympäristö

Tuote on tarkoitettu käytettäväksi sisätiloissa huoneenlämmössä normaaleissa työolosuhteissa.

Elinkaari testattu standardin ISO 17966:2016 mukaisesti.

Tämä tuote on testattu standardien DS/EN 12221-1 ja 12221-2 mukaisesti.



Älä jätä lasta ilman valvontaa.



Ota huomioon avotulen ja muiden voimakkaiden lämmönlähteiden, kuten sähköpatruunapalon, kaasupalon jne. vaara hoitopöydän läheisyydessä.



HUOMAUTUS

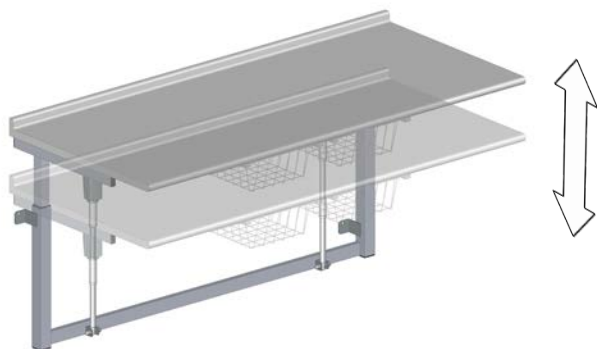
Älä koskaan anna lasten käyttää tätä tuotetta ilman valvontaa.

HUOMAA

Aseta lapsi aina hoitopöydän patjan päälle eikä suoraan pöydälle.

Käyttöohjeet

Hoitopöytää voidaan säätää välillä 650–1000 mm ylös ja alas.



Korkeudensäätöä ohjataan langallisella kaukosäätimellä.



Nosta yksikköä pitämällä ylös-painiketta painettuna.
Kun painike vapautetaan, liike pysähtyy.



Laske yksikköä pitämällä alas-painiketta painettuna.
Kun painike vapautetaan, liike pysähtyy.



Kuristumisvaaran välttämiseksi varmista, että langallinen kaukosäädin asetetaan pidikkeeseensä, kun sitä ei käytetä.



Varo, etteivät kätesi ja pääsi loukkaannu, kun olet liikkuvien mekaanisten osien läheisyydessä.

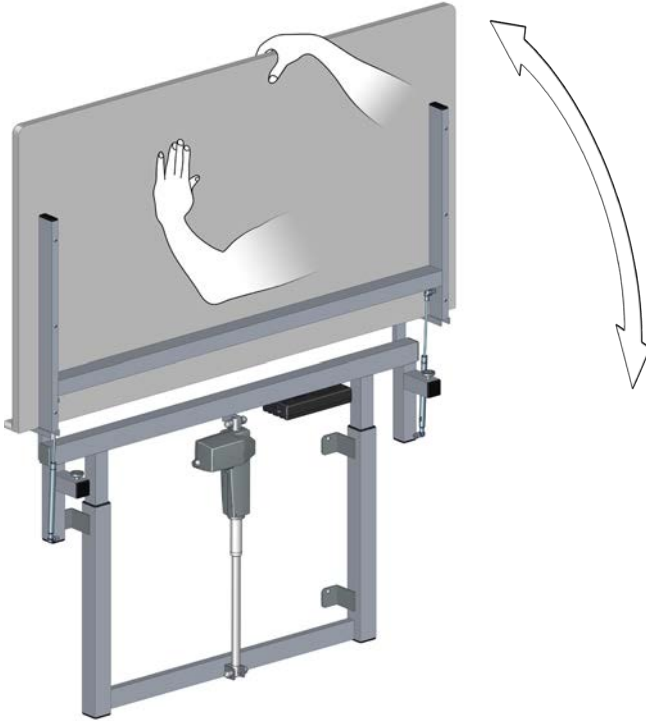


HUOMAUTUS

Älä koskaan aseta esineitä vaihtopöydän alapuolelle.

Taitto ylös ja alas

Mallit R8721, R8921, R8722, R8922 ja R8723 voidaan taittaa seinää vasten käytön jälkeen.



Kun taitat pöytää ylös ja alas, varmista, että tuet makuualustaa kädellä ja/tai vartalolla vaurioiden välttämiseksi.

Sisäänrakennettujen pneumaattisten kaasupullojen ansiosta pöytä on helppo taittaa ylös ja alas.

fi



Varo, etteivät kätesi ja pääsi loukkaannu, kun olet liikkuvien mekaanisten osien läheisyydessä.

Puhdistus

Tuote on puhdistettava kuumalla vedellä tai miedolla saippuapitoisella puhdistusaineella.

Tarkista, mitkä puhdistustuotteet Pressalit on testannut ja hyväksynyt kyseiselle tuotteelle, käymällä osoitteessa Pressalit.com ja käyttämällä



HUOMAUTUS

Lue aina mukana toimitetut käyttöturvallisuustiedotteet (MSDS) ja ohjeet puhdistus-, desinfiointi- ja kalkinpoistoaineen käyttöön ja noudata näitä ohjeita aineen turvallisen käytön, laimentamisen, huuhtelun, kuivauksen, käsittelyn ja varastoinnin osalta.

TÄRKEÄÄ

- Älä käytä autoklaavia tai muuta höyrypuhdistinta.
- Vältä happoa sisältäviä voimakkaita puhdistusaineita.
- Älä koskaan suihkuta tuotetta suoraan painepesurilla.
- Vältä hankaavien, syövyttävien tai klooripohjaisten puhdistus- ja desinfiointiaineiden käyttöä.

Huolto

Hoitopöydän odotettavissa oleva käyttöikä on 9 vuotta, jos huolto suoritetaan alla kuvatulla tavalla:

On suositeltavaa käyttää moottoreita viikoittain maksimaalisiin asentoihin nostamalla tuote täyteen korkeuteen ja laskemalla se sitten alimpaan asentoonsa, jotta sisäiset osat voidellaan.

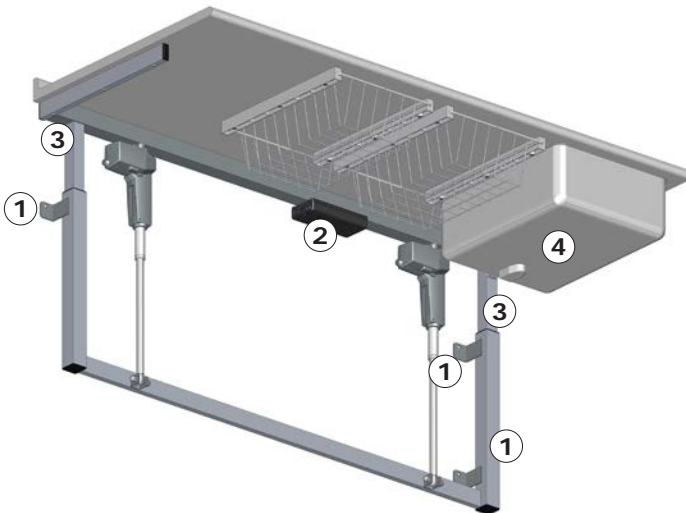
Huoltotarkastus suositellaan tehtäväksi kerran vuodessa.

Huoltotarkastus

Vie vaihtopöytä korkeimpaan asentoonsa.



**Irrota verkkovirta
ennen
tarkastusta.**



fi

- Tarkista seinäkiinnikkeet ① ja kiristä ruuvit tarvittaessa.
- Tarkista kaikki ohjausrasian sähköliitännät ②.
- Öljyä liikkuvat osat, erityisesti liukukannattimet ③.
- Tarkista pesuallas ④ vuotojen varalta (jos pesuallas on asennettu).

Kytke verkkovirta uudelleen.

Tuotetarra

PRESSALIT®

①	REF	RZZZZYYYYXXX-X	⑫
②	SN	RZZZZYYYYXXX-X	⑬
③		YYYY-MM-DD	⑭
④			⑮
⑤			⑯
⑥		XXX kg XXX lbs	⑰
⑦	P:X W	U:XXXV	⑱
⑧	I:XXA	XX-XX Hz	⑲
⑨	IPXX	Xxxxxx	⑲
⑩		Pressalit A/S Pressalitvej 1 DK-8680 Ry +45 8788 8777 pressalit.com	⑲
⑪			⑲
		Y YYYYYY XXXXXX	

fi

① Tuotenumero

② Sarjanumero

③ Tuotantopäivä

④ Katso käyttöohje

⑤ Älä hävitä jätettä lajittelemattomana yhdyskuntajätteenä. Tuote on kerättävä erikseen ja palautettava määriteltyyn kierrätyspisteeseen.

⑥ Tuotteen paino

⑦ Enimmäisvirrankulutus

⑧ Sähkövirta

⑨ Valmistajan nimi ja osoite

Nämä tuotteet on CE-merkitty seuraavien asiaa koskevien asetusten ja direktiivien vaatimusten mukaisesti:

- ⑩
- Neuvoston direktiivi 2006/42/EY, annettu 17.5.2006.
 - Neuvoston direktiivi 2011/65/EY (RoHS-direktiivi), annettu 8.6.2011.
-

⑪ EAN 13 -viivakoodi

⑫ Katso käyttöoppaasta tärkeät huomautukset, kuten varoitukset ja varotoimet.

⑬ Tämä tuote ei sisällä mitään RoHS-direktiivissä 2011/65/EY mainittuja vaarallisia aineita.

⑭ Käyttöjakso

⑮ Käyttäjän enimmäispaino

⑯ Verkojännite

⑰ Taajuus

⑱ Standardi, jonka mukaisesti tuote on valmistettu (jos sellainen on).

Nämä tuotteet on UKCA-merkitty seuraavien asiaa koskevien asetusten ja direktiivien vaatimusten mukaisesti:

- ⑲
- Konetoimituksia koskevat (turvallisuus)määräykset 2008.
 - Tiettyjen vaarallisten aineiden käytön rajoittaminen sähkö- ja elektroniikkalaitemääräyksissä 2012.

Vaatimustenmukaisuusvakuutus löytyy osoitteesta pressalit.com.

Vianmääritys

Oire	Syy	Toimenpide
Laite ei toimi, vaikka langallista kaukosäädintä käytetään oikein.	Vika virransyötössä.	Tarkista, että kaikki johdot ja pistokkeet ovat ehjiä ja kunnolla kiinni. Ota yhteyttä Pressalit A/S:ään tai paikalliseen jälleenmyyjään.
Tuote nousee ja laskee epätasaisesti.	Liukukannattimia ei ole voideltu kunnolla.	Öljyä liukukannattimet Huolto-kohdassa kuvatulla tavalla.
Koreja ei voi sulkea/avata.	Kori on saattanut kiertyä.	Yritä suoristaa kori.

Ota yhteyttä Pressalit A/S:ään tai jälleenmyyjään, jos ongelmaa ei voida korjata. Älä yritä korjata tuotetta itse, sillä tämä mitätöi takuun.

Varastointi ja kuljetus

- Yksikön kuljetus- ja varastointilämpötilan on oltava 5–40 °C.
- Yksikkö on aina kuljetettava alkuperäispakkauksessaan.
- Älä altista pakkausta iskuille.
- Älä käytä tuotetta, jos pakkaus on rikki tai vaurioitunut.

Hävittäminen ja kierrätys

Yksikkö sisältää uudelleenkäytettäviä materiaaleja. Tuotteen hävittämiseen ei liity tunnettuja vaaroja tai riskejä. Kaikki osat voidaan hävittää puhdistuksen ja desinfioidin jälkeen.

Tuotteen hävittämisen yhteydessä suosittelemme, että se puretaan ja jaetaan eri jäteryhmiin kierrätystä tai polttamista varten.

Seuraavassa taulukossa on tietoja tuotteen kierrätyksestä ja käsittelystä.

Kierrätettävät komponentit	Materiaali
Teräs	Teräs voidaan kierrättää sulattamalla ja sisällyttämällä se vaihtoehtoisena materiaalina uuden teräksen tuotannossa.
Muovit	Käytä muovin lajittelu- ja kierrätysjärjestelmiä, jos ne ovat paikallisesti saatavilla. Muussa tapauksessa muovinpoltto tuottaa energiaa, jota voidaan käyttää esimerkiksi sähkön ja lämmön yhteistuotantoon.
Elektroniikka	Elektroniset komponentit on kerättävä erikseen ja palautettava määriteltyyn kierrätyspisteeseen.

Contenido

Instrucciones de montaje.....	105
Guía visual de funcionamiento.....	105
Símbolos utilizados en este manual	106
Seguridad general	107
Distancias de seguridad	108
Uso previsto	109
Perfil de operador previsto	109
Entorno de funcionamiento.....	109
Instrucciones de funcionamiento	110
Plegado hacia arriba y hacia abajo	111
Limpieza	112
Mantenimiento	113
Inspección de mantenimiento.....	113
Etiqueta del producto	114
Solución de problemas.....	116
Almacenamiento y transporte	117
Eliminación y reciclaje	117

Instrucciones de montaje



Este producto incluye instrucciones de montaje. Si lo prefiere, puede descargarlas desde pressalit.com.

Guía visual de funcionamiento



Puede descargarse una guía visual de funcionamiento desde pressalit.com.

IMPORTANTE

CONSERVE ESTE MANUAL PARA FUTURAS REFERENCIAS.
LÉALO DETENIDAMENTE.

Símbolos utilizados en este manual

Los símbolos siguientes se utilizan en el presente manual y en la documentación complementaria suministrada con el producto.

ADVERTENCIA

ADVERTENCIA indica una posible situación de peligro que, de no evitarse, podría provocar la muerte o lesiones graves.

ATENCIÓN

ATENCIÓN indica una posible situación de peligro que, de no evitarse, podría provocar lesiones leves o moderadas. También puede utilizarse para advertir de prácticas inseguras.

IMPORTANTE

IMPORTANTE indica información importante sobre la manipulación y la utilización del producto.

AVISO

AVISO se utiliza para hacer referencia a prácticas no relacionadas con la seguridad personal.

			
Advertencia de posibles lesiones en la cabeza	Advertencia de posibles lesiones en las manos	Advertencia de posibles lesiones en los pies	Advertencia de tensiones/ corrientes eléctricas
			
Advertencia de fuerte calor	No deje al niño sin supervisión	Productos compatibles	Piezas de repuesto
			
Especificaciones de alimentación	Indicación de peso	Peso máx. del usuario	Número/ Versiones de artículo

Seguridad general



ADVERTENCIA

- Lea todo el manual y asegúrese de entenderlo antes de cualquier uso. Mantenga el manual cerca de la unidad.
- Siga las indicaciones del manual para evitar accidentes que podrían ocasionar daños personales graves.
- No utilice ni manipule nunca el producto de forma distinta a como se especifica en el manual, ya que podría resultar peligroso y provocar daños en el producto.
- Asegúrese de que las personas que vayan a instalar o utilizar el producto y sus sistemas pueden acceder a este manual y disponen de la información necesaria.



ATENCIÓN

- Siga estas instrucciones para evitar dañar o destruir el producto.
- No lleve a cabo reparaciones ni operaciones de montaje y desmontaje, no instale extensiones ni reajuste o modifique el producto. Todas estas operaciones deben ser realizadas solamente por Pressalit o personas autorizadas por Pressalit.
- No deje nunca que los niños manipulen el producto sin supervisión. El producto no ha sido diseñado para el juego.
- No utilice nunca el producto si está defectuoso o dañado. No utilice nunca un producto defectuoso hasta que haya sido reparado.

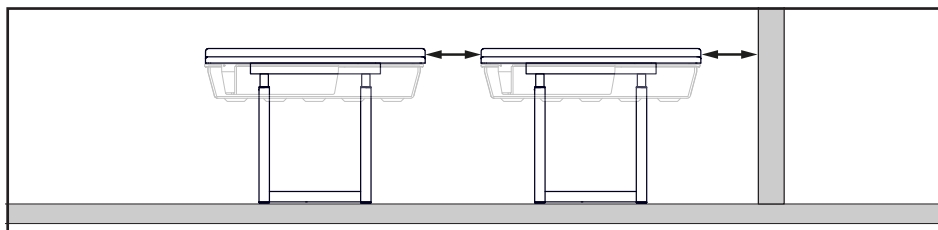
AVISO

- La información contenida en este manual se basa en el ajuste correcto del producto según nuestras instrucciones de montaje.
- Pressalit no se hace responsable de la utilización del producto de manera diferente a la descrita en la guía.
- Nos reservamos el derecho de modificar este manual sin previo aviso.

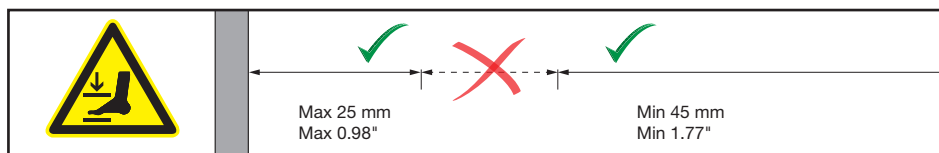
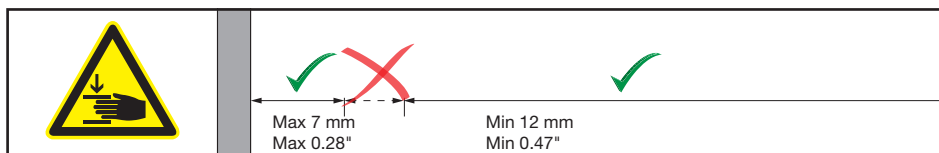
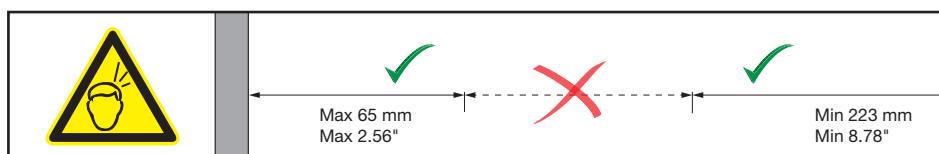
Distancias de seguridad

Asegúrese de que haya una distancia de seguridad entre el cambiador y los objetos de alrededor.

Compruebe las distancias antes del uso.



	EN 12221-1:2008	Pressalit recomienda
	Max 65 mm (2.56") Min 223 mm (8.78")	Max 60 mm (2.36") Min 300 mm (11.81")
	Max 7 mm (0.28") Min 12 mm (0.47")	Max 4 mm (0.16") Min 25 mm (0.98")
	Max 25 mm (0.98") Min 45 mm (1.77")	Max 8 mm (0.31") Min 120 mm (4.72")



es

Uso previsto

Este producto está diseñado para proporcionar una ergonomía óptima durante el cuidado del niño. **Si utiliza un cambiador con un actuador, el peso del niño no debe superar los 75 kg.**

Si utiliza un cambiador con dos actuadores, el peso del niño no debe superar los 150 kg.

Perfil de operador previsto

El producto solo puede ser manipulado por adultos.

Entorno de funcionamiento

El producto está diseñado para ser utilizado en interiores a temperatura ambiente en condiciones de trabajo normales.

Prueba de ciclo de vida realizada según la norma ISO 17966:2016.

Este producto se ha probado de acuerdo con la norma DS/EN 12221-1 y 12221-2.



No deje al niño sin supervisión.



Tenga en cuenta el riesgo de llamas u otras fuentes de calor extremo, como los incendios provocados por barras eléctricas, gas, etc. en las proximidades del cambiador.



ATENCIÓN

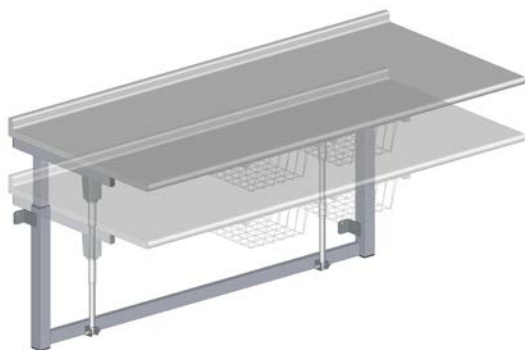
No deje nunca que los niños manipulen el producto sin supervisión.

AVISO

Coloque siempre al niño sobre el colchón del cambiador y no directamente sobre la mesa.

Instrucciones de funcionamiento

El cambiador permite un ajuste en altura de 650 a 1.000 mm.



El ajuste de la altura se controla remotamente con una unidad de control remota con cable.



Pulse y mantenga pulsado el botón de subida para elevar la unidad.

El movimiento se detiene al soltar el botón.



Pulse y mantenga pulsado el botón de bajada para descender la unidad.

El movimiento se detiene al soltar el botón.



Para evitar el riesgo de estrangulamiento, asegúrese de que el control remoto con cable esté colocado en su soporte cuando no se utilice.



Extreme la precaución para evitar lesiones en las manos y la cabeza en las proximidades de las piezas mecánicas en movimiento.

es

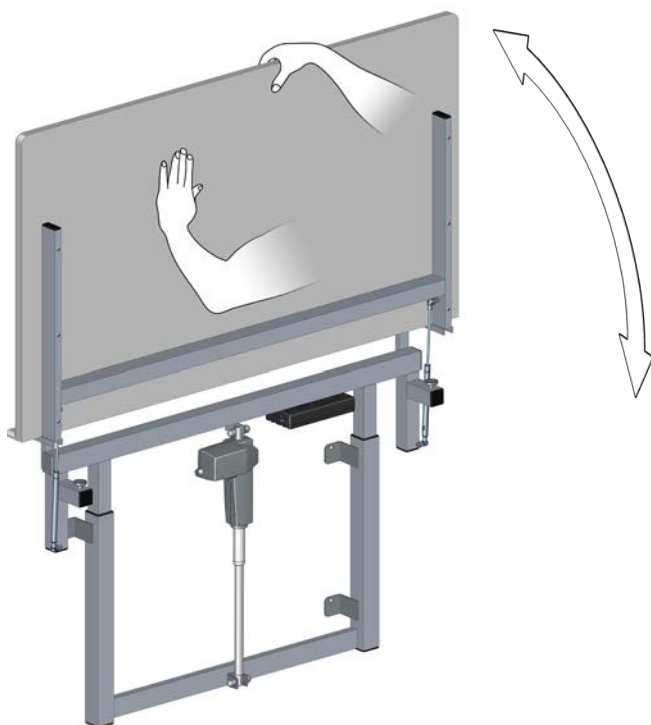


ATENCIÓN

Nunca coloque objetos debajo del cambiador.

Plegado hacia arriba y hacia abajo

Los modelos R8721, R8921, R8722, R8922 y R8723 se pueden plegar contra la pared después de su uso.



Al plegar el cambiador hacia arriba y hacia abajo, asegúrese de sujetar la superficie de reposo con la mano y/o el cuerpo para evitar daños.

Los cilindros de gas neumáticos integrados facilitan el plegado del cambiador hacia arriba y hacia abajo.

es



Extreme la precaución para evitar lesiones en las manos y la cabeza en las proximidades de las piezas mecánicas en movimiento.

Limpieza

Limpie el producto con agua caliente o con un agente de limpieza jabonoso suave.

Encontrará una lista de agentes limpiadores probados por Pressalit en www.pressalit.com.

ATENCIÓN

Lea siempre las hojas de datos de seguridad (MSDS) y las instrucciones suministradas de limpieza, desinfección o del agente descalcificador y siga las instrucciones de uso seguro, dilución, aclarado, secado, manipulación y almacenamiento del agente.

IMPORTANTE

- No utilice sistemas de autoclave ni ningún otro tipo de limpieza a vapor.
- Evite los agentes limpiadores agresivos que contengan ácidos.
- Nunca pulverice el producto directamente con limpiadores de alta presión.
- Evite el uso de productos de limpieza o desinfectantes abrasivos, corrosivos o que contengan cloro.

Mantenimiento

La vida útil esperada del cambiador es de 9 años, siempre y cuando el mantenimiento se realice tal y como se describe a continuación:

Se recomienda hacer funcionar los motores del producto hasta las posiciones máximas una vez a la semana; para hacerlo, eleve el producto hasta su altura máxima y luego bájelo hasta la posición más baja para que se lubriquen los componentes internos.

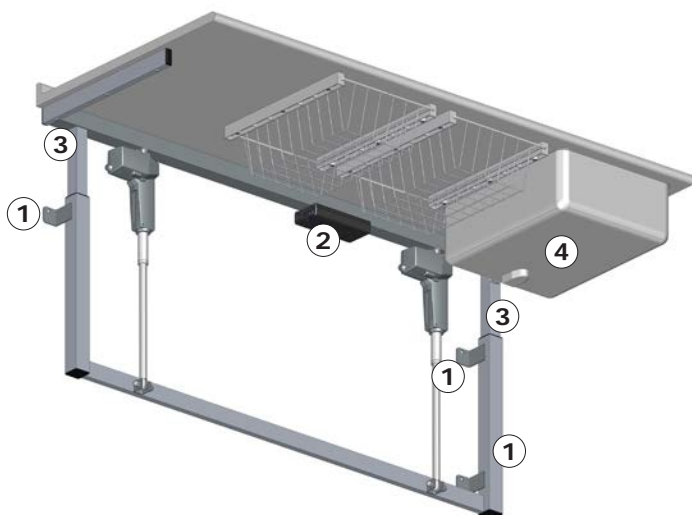
Se recomienda realizar una inspección de mantenimiento anual.

Inspección de mantenimiento

Eleve el cambiador hasta la posición más alta.



Desconecte la corriente antes de la inspección.



es

- Compruebe la fijación de montaje a la pared ① y asegúrela si es necesario.
- Revise las conexiones eléctricas de la caja de control ②.
- Lubrique las piezas móviles, sobre todo los soportes deslizables ③.
- Revise que el desagüe del fregadero ④ no tenga fugas (si hay un fregadero).


Vuelva a conectar la electricidad.



Etiqueta del producto



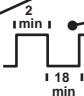
PRESSALIT®


1 **REF** RZZZZYYYYXXX-X


2 **SN** RZZZZYYYYXXX-X

3  YYYY-MM-DD

4  

5   

6  XXX kg
XXX lbs

7  XXX kg
XXX lbs


8 P:X W U:XXXV



9 I:XXA XX-XX Hz


10 IPXX

11 **Xxxxxx**

12 DS/EN XXXXX-X/X A1:YYYY

13  Pressalit A/S
Pressalitvej 1
DK-8680 Ry
+45 8788 8777
pressalit.com

14  

15 

16 YYYYYYYY XXXXXX

① Número de artículo

② Número de serie

③ Fecha de fabricación

④ Consulte el manual de uso

⑤ No deseche el producto como residuo urbano no clasificado. El producto debería recogerse por separado y ser trasladado al centro de reciclaje designado.

⑥ Indicación de peso

⑦ Consumo máximo de energía

⑧ Corriente eléctrica

⑨ Nombre y dirección del fabricante

Estos productos cuentan con marcado CE de conformidad con los requisitos incluidos en:

- ⑩
- Directiva 2006/42/CE del Consejo (del 17 de mayo de 2006) sobre maquinaria.
 - Directiva 2011/65/CE del Consejo (del 8 de junio de 2011) sobre RoHS.
-

⑪ Código de barras EAN 13

⑫ Consulte el manual para conocer la información de precaución importante como las advertencias y las precauciones.

⑬ Este producto no contiene sustancias peligrosas mencionadas en la Directiva 2011/65/CE del Consejo sobre RoHS.

⑭ Ciclo de trabajo

⑮ Peso máximo del usuario

⑯ Voltaje

⑰ Frecuencia

⑱ Estándar, qué producto se fabrica de acuerdo con (si corresponde).

Estos productos cuentan con marcado UKCA de conformidad con los requisitos incluidos en:

- ⑲
- Normativa de suministro de maquinaria (seguridad) de 2008.
 - La restricción del uso de ciertas sustancias peligrosas en la normativa de equipos eléctricos y electrónicos de 2012.

Puede encontrar la declaración de conformidad en pressalit.com.

Solución de problemas

Síntoma	Causa	Acción
El producto no funciona a pesar de que el control remoto con cable se utiliza correctamente.	Error del suministro de corriente.	Compruebe que todos los cables y enchufes estén en buen estado y conectados correctamente. Póngase en contacto con Pressalit A/S o su distribuidor local.
El producto sube y baja de forma irregular.	Los soportes deslizables no están bien lubricados.	Lubrique los soportes deslizables como se describe en el apartado "Mantenimiento".
Las cestas no se pueden abrir/cerrar.	La cesta se ha doblado accidentalmente.	Intente enderezar la cesta.

Póngase en contacto con Pressalit A/S o su distribuidor si no logra solucionar el problema. No intente reparar el producto usted mismo, ya que anularía la garantía.

Almacenamiento y transporte

- La temperatura para el transporte y el almacenamiento de la unidad debe estar comprendida entre 5 y 40° Celsius.
- La unidad debe transportarse siempre en el embalaje original.
- Evite golpes y sacudidas al embalaje.
- No utilice el producto si el embalaje está roto o dañado.

Eliminación y reciclaje

La unidad contiene materiales reutilizables. No se conocen peligros o riesgos relacionados con la eliminación del producto. Todos los componentes pueden ser desechados una vez limpiados y desinfectados.

Para eliminar el producto, se recomienda desmontarlo y separar sus piezas en diferentes grupos de residuos para su reciclaje o combustión.

En la siguiente tabla encontrará información sobre el reciclaje y la gestión del producto.

Componentes reciclables	Material
Acero	El acero puede reciclarse mediante fundición e incluirse en un material secundario para la producción de acero nuevo.
Plásticos	Utilice los sistemas de clasificación y reciclaje disponibles localmente; si no los hubiera, la incineración de plástico tiene el beneficio añadido de generar energía, que puede utilizarse para la producción combinada de calor y energía.
Componentes electrónicos	Los componentes electrónicos deberían recogerse por separado y ser trasladados al centro de reciclaje designado.

Spis treści

Instrukcja montażu	118
Oznakowanie operacyjne	118
Symbole używane w niniejszej instrukcji	119
Ogólne wskazówki bezpieczeństwa	120
Bezpieczne odległości	121
Użytkowanie zgodne z przeznaczeniem	122
Profil użytkownika	122
Środowisko użytkowania	122
Instrukcja obsługi	123
Składanie i rozkładanie	124
Czyszczenie	125
Konserwacja	126
Przegląd konserwacyjny	126
Etykieta wyrobu	127
Rozwiązywanie problemów	129
Przechowywanie i transport	130
Utylizacja i recykling	130

Instrukcja montażu



Instrukcję montażu dołączono do wyrobu. Można ją również pobrać ze strony pressalit.com.

Oznakowanie operacyjne



Oznakowanie operacyjne można pobrać ze strony pressalit.com.

WAŻNE

ZACHOWAJ NINIEJSZĄ INSTRUKCJĘ DO WYKORZYSTANIA
W PRZYSZŁOŚCI. PRZECZYTAJ UWAŻNIE.

Symbole używane w niniejszej instrukcji

W niniejszej instrukcji oraz w dokumentacji dostarczonej z wyrobem użyto następujących symboli.

OSTRZEŻENIE

OSTRZEŻENIE wskazuje na sytuację potencjalnie niebezpieczną, dopuszczenie do której może skutkować śmiercią lub poważnymi obrażeniami.

UWAGA

UWAGA wskazuje na sytuację potencjalnie niebezpieczną, dopuszczenie do której może skutkować niewielkimi lub umiarkowanymi obrażeniami. Powyższe może również służyć jako ostrzeżenie przed niebezpiecznymi praktykami.

WAŻNE

WAŻNE wskazuje na istotną informację dotyczącą postępowania z wyrobem lub jego użytkowania.

INFORMACJA

INFORMACJA dotyczy praktyk niezwiązanych z bezpieczeństwem ludzi.

			
Ostrzeżenie przed obrażeniami głowy	Ostrzeżenie przed obrażeniami dłoni	Ostrzeżenie przed obrażeniami stóp	Ostrzeżenie przed elektrycznością / napięciem
			
Ostrzeżenie przed silnym ciepłem	Nie zostawiaj dziecka bez opieki	Kompatybilne produkty	Części zamienne
			
Parametry zasilania	Waga produktu	Maks. masa użytkownika	Nr artykułu / wersja

Ogólne wskazówki bezpieczeństwa



OSTRZEŻENIE

- Przed użyciem wyrobu przeczytaj i zapoznaj się z instrukcją. Instrukcję przechowuj w pobliżu wyrobu.
- Przestrzegaj niniejszej instrukcji, aby uniknąć wypadków prowadzących do poważnych obrażeń.
- Nigdy nie używaj wyrobu do celów lub w sposób niezgodny z niniejszą instrukcją, ponieważ zagraża to Twojemu bezpieczeństwu i grozi uszkodzeniem wyrobu.
- Upewnij się, że wszystkie osoby montujące lub używające tego wyrobu i jego systemów posiadają niezbędne informacje oraz dostęp do niniejszej instrukcji.



UWAGA

- Przestrzegaj niniejszej instrukcji, aby uniknąć uszkodzenia lub zniszczenia wyrobu.
- Nie dokonuj samodzielnych napraw, demontażu lub montażu, rozbudowy, regulacji lub modyfikacji wyrobu. Czynności takie mogą być przeprowadzane wyłącznie przez firmę Pressalit lub upoważniony przez nią personel.
- Nigdy nie pozwalaj dzieciom obsługiwać tego wyrobu bez nadzoru. Ten wyrób nie jest zabawką.
- Nigdy nie używaj wadliwego lub uszkodzonego wyrobu. Nie używaj uszkodzonego wyrobu przed jego naprawą.

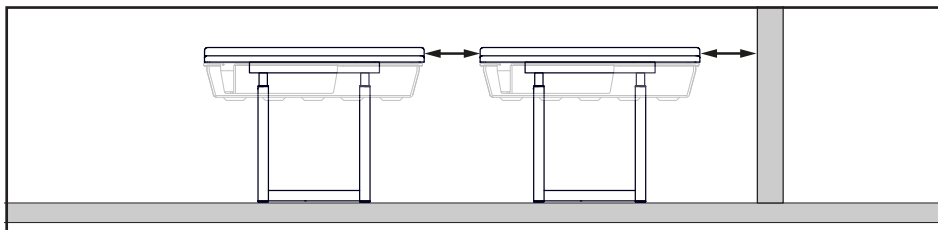
INFORMACJA




- Informacje zawarte w niniejszej instrukcji zakładają właściwe mocowanie wyrobu zgodnie z instrukcją montażu.
- Pressalit nie ponosi odpowiedzialności w sytuacji, gdy wyrób jest użytkowany w jakikolwiek sposób odbiegający od przedstawionego w niniejszej instrukcji.
- Zastrzegamy sobie prawo do zmian niniejszej instrukcji bez wcześniejszego powiadomienia.

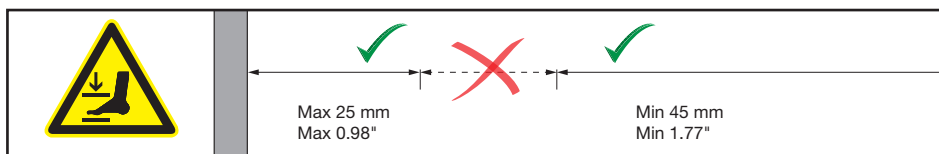
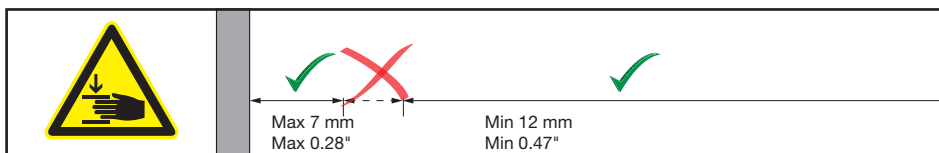
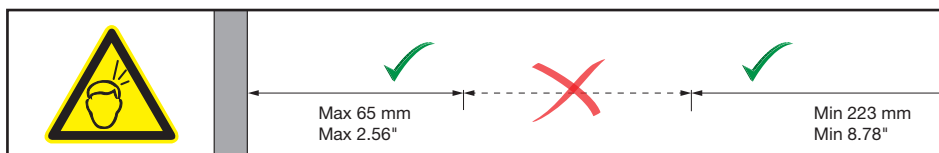
Bezpieczne odległości

Upewnij się, że stół do pielęgnacji znajduje się w bezpiecznej odległości od otaczających go przedmiotów.

Sprawdź te odległości przed każdym użyciem.



	EN 12221-1:2008	Pressalit poleca
	Max 65 mm (2.56") Min 223 mm (8.78")	Max 60 mm (2.36") Min 300 mm (11.81")
	Max 7 mm (0.28") Min 12 mm (0.47")	Max 4 mm (0.16") Min 25 mm (0.98")
	Max 25 mm (0.98") Min 45 mm (1.77")	Max 8 mm (0.31") Min 120 mm (4.72")



Użytkowanie zgodne z przeznaczeniem

Produkt został zaprojektowany w celu zapewnienia optymalnej ergonomii podczas opieki nad dziećmi. **W przypadku korzystania ze stołu do pielęgnacji z jednym silownikiem, waga dziecka nie może przekraczać 75 kg.**

W przypadku korzystania ze stołu do pielęgnacji z dwoma silownikami, waga dziecka nie może przekraczać 150 kg.

Profil użytkownika

Produkt może być obsługiwany wyłącznie przez osoby dorosłe.

Środowisko użytkowania

Produkt jest przeznaczony do użytku w pomieszczeniach, w temperaturze pokojowej, w normalnych warunkach pracy.

Test okresu eksploatacji przeprowadzono zgodnie z normą ISO 17966:2016.

Ten produkt został przetestowany zgodnie z DS/EN 12221-1 i 12221-2.



Nie zostawiać dziecka bez opieki.



Należy pamiętać o ryzyku związanym z otwartym ogniem i innymi źródłami silnego ciepła, takimi jak kominki elektryczne, kominki gazowe itp. w pobliżu stołu do pielęgnacji.



UWAGA

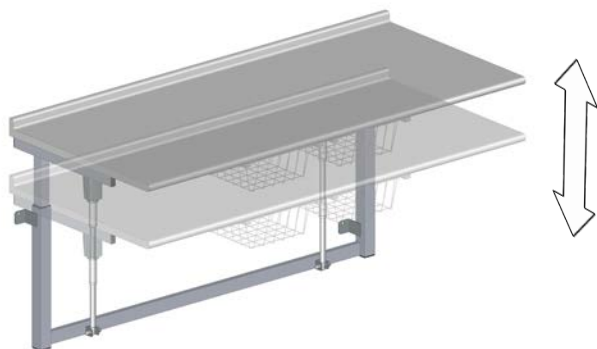
Nigdy nie pozwalaj dzieciom obsługiwać tego wyrobu bez nadzoru.

INFORMACJA

Zawsze układaj dziecko na materacu do pielęgnacji, a nie bezpośrednio na stole.

Instrukcja obsługi

Stół do pielęgnacji można regulować w zakresie od 650 do 1000 mm w górę i w dół.



Regulację wysokości steruje się za pomocą pilota przewodowego.



Naciśnij i przytrzymaj przycisk ruchu w górę, by podnieść urządzenie.

Po zwolnieniu przycisku ruch zostanie zatrzymany.



Naciśnij i przytrzymaj przycisk ruchu w dół, by opuścić urządzenie.

Po zwolnieniu przycisku ruch zostanie zatrzymany.



Aby uniknąć ryzyka uduszenia, upewnij się, że nieużywany pilot przewodowy znajduje się w uchwycie.



Aby uniknąć obrażeń rąk i głowy, zachowaj ostrożność w pobliżu ruchomych części.

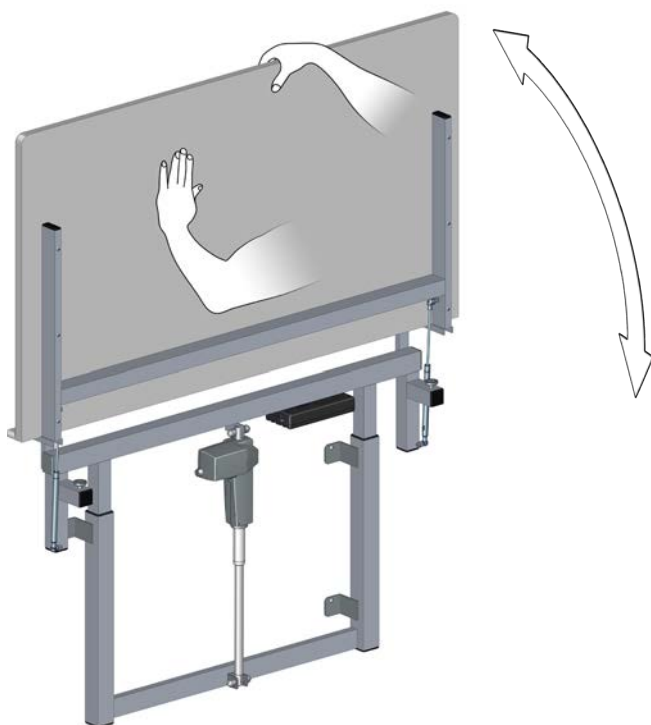


UWAGA

Nigdy nie umieszczaj przedmiotów pod stołem do pielęgnacji.

Składanie i rozkładanie

Modele R8721, R8921, R8722, R8922, R8723 można po użyciu złożyć na ścianę.



Podczas składania i rozkładania stołu upewnij się, że podpierasz powierzchnię do leżenia ręką i/lub ciałem, aby uniknąć ryzyka uszkodzenia.

Wbudowane pneumatyczne siłowniki gazowe ułatwiają składanie i rozkładanie stołu.



Aby uniknąć obrażeń rąk i głowy, zachowaj ostrożność w pobliżu ruchomych części.

pl

Czyszczenie

Wyrób należy czyścić gorącą wodą lub łagodnym środkiem czyszczącym na bazie mydła. Listę odpowiednich środków czyszczących przetestowanych przez Pressalit można znaleźć pressalit.com.



UWAGA

Zawsze należy najpierw zapoznać się z kartą charakterystyki materiału oraz instrukcjami dołączonymi do środka czyszczącego, dezynfekującego lub odkamieniającego oraz postępować zgodnie z instrukcjami bezpiecznego stosowania, rozcieńczania, spłukiwania, suszenia, obchodzenia się ze środkiem i jego przechowywania.

WAŻNE

- Nie wolno używać autoklawów lub innych rodzajów czyszczenia parowego.
- Należy unikać stosowania zbyt silnych środków czyszczących zawierających kwasy.
- Nie wolno bezpośrednio spryskiwać wyrobu środkiem czyszczącym pod ciśnieniem.
- Należy unikać stosowania ściernych, żrących lub wyprodukowanych na bazie chloru środków czyszczących i dezynfekujących.

Konserwacja

Przewidywany okres eksploatacji stołu do pielęgnacji wynosi 9 lat pod warunkiem przeprowadzania konserwacji w opisany poniżej sposób:

Zaleca się, aby co tydzień przesuwać produkt w maksymalne położenia, podnosząc go na pełną wysokość, a następnie opuszczając do najniższego położenia, aby nasmarować części wewnętrzne.

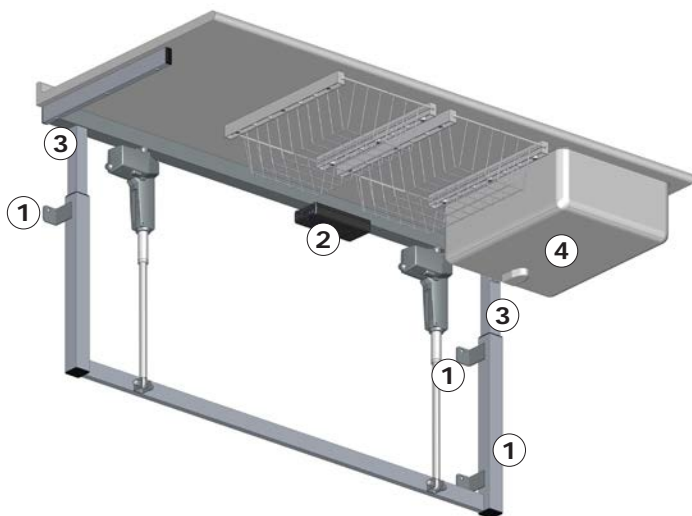
Zaleca się przeprowadzanie przeglądu konserwacyjnego raz w roku.

Przegląd konserwacyjny

Ustaw stół do pielęgnacji w najwyższym położeniu.



**Odłącz zasilanie
przed przystąpieniem
do przeglądu.**



- Sprawdź śruby montażowe ① i w razie konieczności dokręć.
- Sprawdź wszystkie połączenia elektryczne skrzynki sterowniczej ②.
- Nasmaruj ruchome części, w szczególności prowadnice ③.
- Sprawdź odpływ zlewu ④ pod kątem wycieków (jeśli zlew jest zamontowany).


Podłącz zasilanie.



Etykieta wyrobu



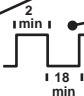
PRESSALIT®


1 **REF** RZZZZYYYYXXX-X


2 **SN** RZZZZYYYYXXX-X


3  YYYY-MM-DD

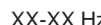
4  

5   

6  XXX kg
XXX lbs


7  U:XXXV



8  I:XXA
IPXX


9  XX-XX Hz

10 **Xxxxxx**

11 DS/EN XXXXX-X/X A1:YYYY

12  Pressalit A/S
Pressalitvej 1
DK-8680 Ry
+45 8788 8777
pressalit.com

13  

14 

15 YYYYYYYY XXXXXX

① Numer artykułu

② Numer seryjny

③ Data produkcji

④ Zapoznaj się z instrukcją obsługi

⑤ Nie wyrzucaj do zmieszanych odpadów komunalnych. Produkt należy zebrać osobno i oddać do odpowiedniego punktu recyklingu.

⑥ Waga produktu

⑦ Maksymalny pobór mocy

⑧ Natężenie prądu

⑨ Nazwa i adres producenta

Produkty te są oznakowane znakiem CE zgodnie z odpowiednimi wymaganiami:

- ⑩
- Dyrektywy Rady 2006/42/WE (z dnia 17 maja 2006 r.) w sprawie maszyn.
 - Dyrektywy Rady 2011/65/WE (z dnia 8 czerwca 2011 r.) dotycząca RoHS.
-

⑪ Kod kreskowy EAN 13

⑫ Zapoznaj się z instrukcją obsługi, aby zapamiętać ważne informacje dotyczące bezpieczeństwa i środków ostrożności

⑬ Ten produkt nie zawiera żadnych substancji niebezpiecznych wymienionych w dyrektywie Rady 2011/65/UE w sprawie ograniczenia stosowania niektórych niebezpiecznych substancji w sprzęcie elektrycznym i elektronicznym.

⑭ Cykl pracy

⑮ Maksymalna waga użytkownika

⑯ Napięcie sieciowe

⑰ Częstotliwość

⑱ Norma, zgodnie z którą produkt jest wytwarzany (jeśli istnieje).

Produkty te są oznakowane znakiem UKCA zgodnie z odpowiednimi wymaganiami:

- ⑲
- Przepisy dotyczące dostaw maszyn (Bezpieczeństwo) 2008.
 - Ograniczenia stosowania niektórych niebezpiecznych substancji w sprzęcie elektrycznym i elektronicznym, stan na rok 2012 r.

Deklarację zgodności można znaleźć na stronie pressalit.com.

Rozwiązywanie problemów

Objaw	Przyczyna	Działanie
Urządzenie nie działa, nawet jeśli pilot przewodowy jest używany prawidłowo.	Wina zasilania.	Sprawdź, czy wszystkie przewody i wtyczki są nieuszkodzone i prawidłowo podłączone. Skontaktuj się z Pressalit A/S lub lokalnym dystrybutorem.
Urządzenie nierównomiernie przesuwa się w górę i w dół.	Prowadnice nie są odpowiednio nasmarowane.	Nasmaruj prowadnice zgodnie z opisem z sekcji „Konserwacja”.
Kosze nie mogą się zamknąć/otworzyć.	Kosz mógł zostać nieumyślnie przekręcony.	Spróbuj wyprostować kosz.

Jeśli problemu nie można rozwiązać, należy skontaktować się z firmą Pressalit A/S lub swoim dystrybutorem. Nie próbuj naprawiać urządzenia samodzielnie, ponieważ spowoduje to unieważnienie gwarancji.

Przechowywanie i transport

- Temperatura transportu i przechowywania urządzenia musi pozostawać w zakresie od 5 do 40° Celsjusza (od 41 do 104°F).
- Urządzenie należy zawsze transportować w oryginalnym opakowaniu.
- Unikaj narażania opakowania na wstrząsy i uderzenia.
- Nie używaj wyrobu, jeżeli opakowanie jest uszkodzone.

Utylizacja i recykling

Wyrób zawiera materiały, które można poddawać recyklingowi. Nie istnieją znane zagrożenia lub ryzyka związane z usuwaniem wyrobu. Wszystkie komponenty można utylizować po ich uprzednim wyczyszczeniu i zdezynfekowaniu.

W przypadku usuwania wyrobu zalecamy rozmontowanie go i podzielenie odpadów na grupy do recyklingu lub spalenia.

Poniższa tabela zawiera informacje dotyczące recyklingu i postępowania z wyrobem.

Komponenty, które można poddać recyklingowi	Materiał
Stal	Stal może zostać poddana recyklingowi poprzez ponowne przetopienie i włączenie jej jako materiału wtórnego do produkcji nowej stali.
Tworzywa sztuczne	Należy stosować systemy sortowania i recyklingu tworzyw sztucznych tam, gdzie jest to lokalnie możliwe, w innym przypadku spalanie tworzyw sztucznych niesie dodatkową korzyść w postaci energii, którą można wykorzystać na przykład do skojarzonego wytwarzania energii elektrycznej i ciepła.
Elektronika	Elementy elektroniczne należy zbierać osobno i oddawać do wyznaczonego punktu recyklingu.

目录

安装说明.....	131
操作详解图.....	131
本手册使用的标志.....	132
一般安全要求.....	133
安全距离.....	134
用途.....	135
操作员说明.....	135
工作环境.....	135
操作说明.....	136
折叠及展开.....	137
清洁.....	138
维护.....	139
维护检查.....	139
产品标签.....	140
故障排解.....	142
储存和运输.....	143
处理与回收.....	143

安装说明



本产品随附安装说明。也可从 pressalit.com 下载。

操作详解图



操作详解图可以在 pressalit.com 下载。

重要信息

保留此说明书以便日后参考。仔细阅读。

本手册使用的标志

本手册和本产品随附的相关文件使用以下标志。

 警告	<p>警告提醒使用者注意潜在危险状况，如果未能避开这种状况，可能导致人员死亡或严重伤害。</p>		
 小心	<p>小心提醒使用者注意潜在危险状况，如果未能避开这种状况，可能导致轻度或中度伤害。该标志也可用于提醒不安全行为。</p>		
重要信息	<p>重要信息提醒使用者注意操作和使用本产品的重要信息。</p>		
注意	<p>注意用于提醒与人身安全无关的行为。</p>		
			
头部受伤警告	手部受伤警告	脚部受伤警告	电流/电压警告
			
高温警告	孩子一定要有大人陪同	兼容产品	备用件
			
电源规格	产品重量	最大使用者体重	货号/版本

一般安全要求

警告

- 使用前，请通读并理解本手册。将手册存放在设备附近。
- 按照本手册操作，避免发生造成严重人身伤害的意外。
- 使用或操作本产品时，切勿采用本手册并未介绍的其他方式，因为这会危及您的安全并损坏产品。
- 确保安装或使用本产品及其系统的人员均掌握必要信息并可查阅本手册。

小心

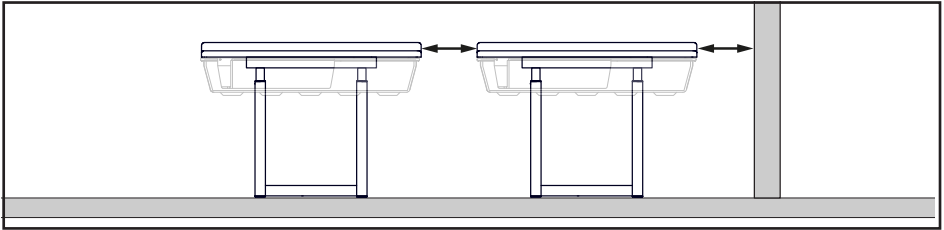
- 请遵守相关说明，避免产品受损或损毁。
- 切勿维修、拆卸或组装、扩展、重新调整或改装本产品。这些操作必须由 Pressalit 或 Pressalit 授权的人士执行。
- 若无人看管，请不要让儿童操作本产品。本产品不适用于娱乐游戏。
- 产品如有缺陷或损坏，切勿使用。缺陷产品待修理后方可使用。

注意

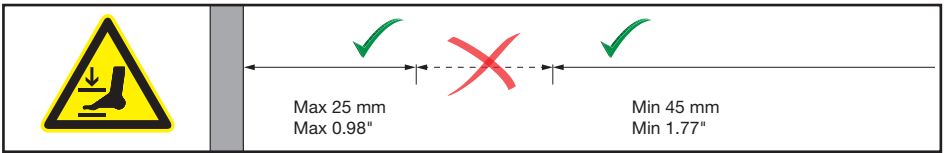
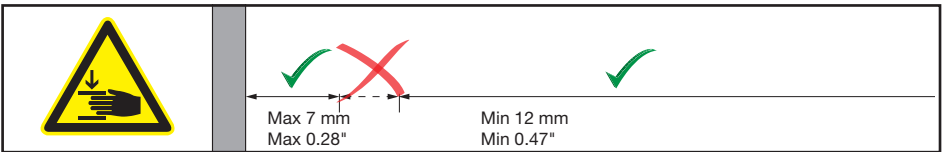
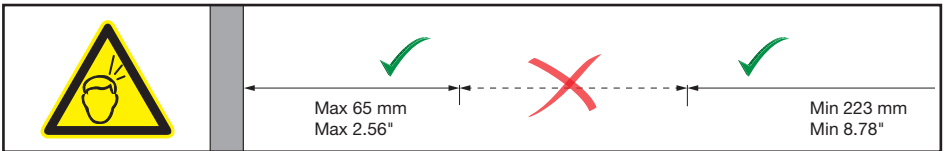
- 本手册资料以按照组装说明正确安装本产品为基础。
- 如果以指南所述以外的方法使用本产品，Pressalit 概不负责。
- 我们保留修订本手册的权利，恕不另行通知。

安全距离

请确保换洗台与周围物体保持安全距离。
使用前请检查距离是否安全。



	EN 12221-1:2008	Pressalit 推荐
	Max 65 mm (2.56") Min 223 mm (8.78")	Max 60 mm (2.36") Min 300 mm (11.81")
	Max 7 mm (0.28") Min 12 mm (0.47")	Max 4 mm (0.16") Min 25 mm (0.98")
	Max 25 mm (0.98") Min 45 mm (1.77")	Max 8 mm (0.31") Min 120 mm (4.72")



用途

本产品利用人体工学最配合照顾孩子时的姿势。**如果换洗台只配有一个制动器，则孩子的体重不得超过 75 公斤。**

如果换洗台只配有两个制动器，则孩子的体重不得超过 150 公斤。

操作员说明

本产品仅供成人操作。

工作环境

在正常工作条件下，本产品在室温环境中室内使用。

根据ISO 17966:2016进行的寿命周期实验。

本产品根据DS/EN 12221-1 及 12221-2进行检测。



孩子一定要有大人陪同。



请注意明火和其他高温热源的危险，例如，换洗台附近的电暖气、燃气取暖器等。



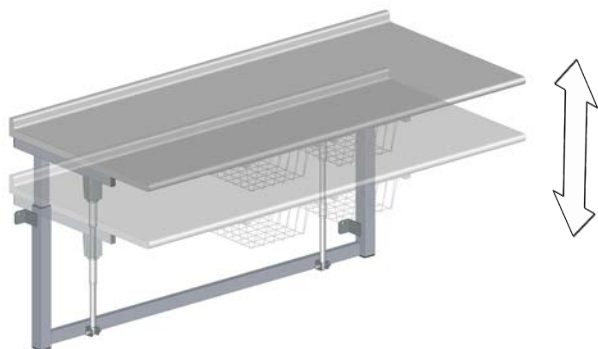
若无人看管，请不要让儿童操作本产品。

注意

始终将小孩放在换洗台垫子上，切勿直接放在换洗台上。

操作说明

换洗台可以上下在 650 至 1000 毫米范围内调整。



高度调整由有线遥控装置控制。



按住向上按钮可升高装置。
在松开按钮时停止移动。



按住向下按钮可降低装置。
在松开按钮时停止移动。



为避免被线缆勒住，有线遥控装置在不使用时务必放置于支架中。



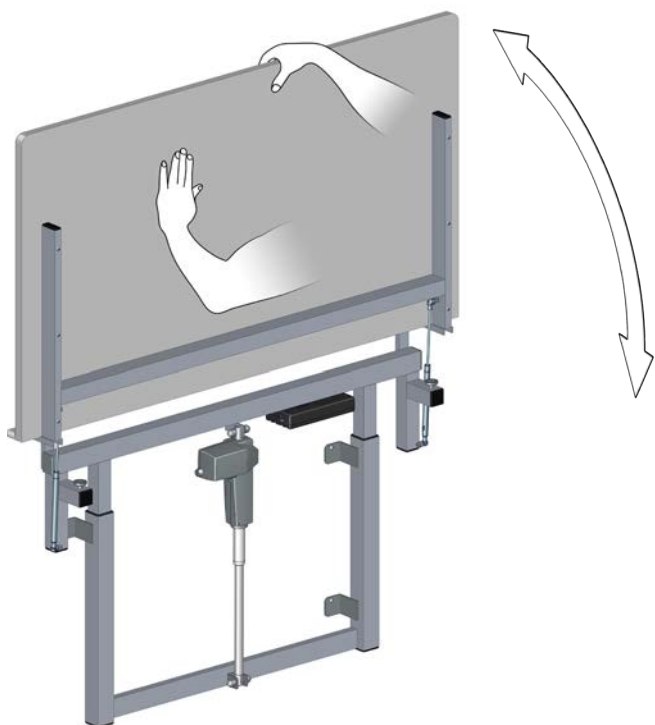
注意不要将双手和头部放在活动机械部件附近，以免受伤。

 **小心**

切勿在换洗台下放置任何物品。

折叠及展开

型号 R8721, R8921, R8722, R8922, R8723 可在使用后靠墙折叠换洗台。



当折叠及展开换洗台时，为了避免受损请确保用手和/或身体支撑台面。

通过内置汽缸，可以轻松地折叠及展开换洗台。



注意不要将双手和头部放在活动机械部件附近，以免受伤。

清洁

应使用热水或温和的肥皂清洁剂来清洁本产品。
可在 pressalit.com 网站查看经 Pressalit 测试的相关清洁剂列表。



务必阅读材料安全数据表 (MSDS) 和随附的清洁、消毒或除垢剂说明，并按照说明安全使用、稀释、冲洗、干燥、处理和储存溶剂。

重要信息

- 切勿使用高压灭菌器或其他类型的蒸汽清洁器。
- 避免使用含酸的强力清洁剂。
- 切勿使用高压清洁器直接喷洗本产品。
- 避免使用磨蚀性、腐蚀性或氯化物型的清洁或消毒产品。

维护

若按下述说明进行维护，换洗台的预计使用年限为 9 年：

建议每周执行一次：将产品升至最高点再降至最低点，使产品电机运行至最大行程，以此润滑内部部件。

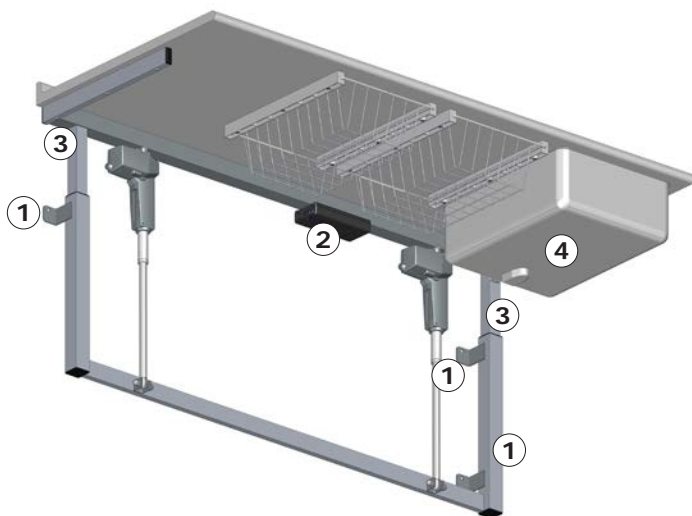
建议一年进行一次维护检查。

维护检查

将换洗台升至最高点。



检查前断开电源。



- 检查墙轨 ① 并按需要拧紧。
- 检查控制箱 ② 的所有电气连接。
- 润滑移动部件，特别是滑轨 ③。
- 检查排水管 ④ 是否渗漏（如果水槽已安装）。

接通总电源。

产品标签

PRESSALIT®

① **REF** RZZZZYYYYXXX-X

② **SN** RZZZZYYYYXXX-X

③ YYYYY-MM-DD

④

⑤

⑥ XXX kg
XXX lbs

⑦ P:X W U:XXXV

⑧ I:XXA XX-XX Hz

⑨ IPXX

⑩ **Xxxxxx**

⑪ DS/EN XXXXX-X/X A1:YYYY

⑫ Pressalit A/S
Pressalitvej 1
DK-8680 Ry
+45 8788 8777
pressalit.com

⑬

⑭

⑮

⑯ YYYYYYYY XXXXXX

① 货号

② 序列号

③ 生产日期

④ 请参考使用手册

⑤ 请勿按未分类生活垃圾处理。本产品应被单独收集，然后送至指定的回收服务点。

⑥ 产品重量

⑦ 最大功耗

⑧ 电流

⑨ 生产商名称和地址

⑩ 本产品根据以下相关要求加贴 CE 标志：
欧盟机械指令 2006/42/EC (2006 年 5 月 17 日)
欧盟 RoHS 指令 2011/65/EC (2011 年 6 月 8 日)

⑪ EAN13 条形码

⑫ 请查阅手册，了解警告和注意事项等重要警示信息。

⑬ 本产品不含欧盟 RoHS 指令 2011/65/EC 规定的任何有害物质。

⑭ 占空比

⑮ 最大使用者体重

⑯ 电源电压

⑰ 频率

⑱ 生产本品依据的相关标准 (清单)

⑲ 本产品根据以下相关要求加贴 UKCA 标志：
2008 年机械供应 (安全) 条例。
2012 年电气和电子设备限制使用某些有害物质的规定。
如需符合性声明，请访问 pressalitcare.com。

故障排解

现象	原因	操作
即使正确使用有线遥控，产品仍无法运作。	电源出现故障。	检查所有电线和插座是否完好无损且正确连接。 联系 Pressalit A/S 或当地经销商。
产品升降时不稳。	滑轨润滑不足。	按“维护”中的内容润滑滑轨。
钢篮无法关闭/打开。	钢篮可能已经在无意中被弯曲。	请尝试拉直钢篮。

如果仍无法解决问题，请联系 Pressalit A/S 或您的经销商。切勿尝试自行维修产品，因为这会导致保修失效。

储存和运输

- 装置的储存和运输温度必须介于 5 到 40 摄氏度之间。
- 始终利用原始包装运输装置。
- 避免包装遭受撞击。
- 如果包装损坏，请勿使用产品。

处理与回收

装置中含有可重复使用的材料。处理产品并不存在已知危险或风险。所有组件在清洁和消毒后方可丢弃。

处理产品时，建议按照不同的垃圾种类将产品进行拆卸和分解，再回收或烧毁。

下表提供关于回收和处理产品的资料。

可回收组件	材料
钢	钢可在熔化后循环再用，并用作新钢生产的二次材料。
塑料	如果当地有塑料分类回收系统，应妥善使用。如果没有，焚烧塑料也具有产生能源的额外优点，例如可用于热电联产等用途。
电子组件	电子组件应单独收集，然后送至指定的回收服务点。

pressalit.com

en Visit our website to find your local dealer and get further information about Pressalit and our solutions for bathrooms and kitchens.

dk Besøg vores hjemmeside for at finde din lokale forhandler og få yderligere oplysninger om Pressalit og vores løsninger inden for bad og køkken.

de Besuchen Sie unsere Website, und finden Sie einen Händler in Ihrer Nähe, um mehr über Pressalit und unsere Lösungen für Badezimmer und Küchen zu erfahren.

fr Rendez-vous sur notre site Internet pour trouver les coordonnées du revendeur le plus proche et obtenir des informations sur Pressalit et nos solutions pour la salle de bains et la cuisine.

nl Breng een bezoek aan onze website om te zien waar u onze producten kunt kopen en voor meer informatie over Pressalit en onze oplossingen voor badkamers en keukens.

sv Besök vår webbplats för att hitta en lokal återförsäljare och för mer information om Pressalit och våra lösningar för kök och badrum.

no Besøk nettstedet vårt for å finne din lokale forhandler og få ytterligere informasjon om Pressalit og løsningene våre for bad og kjøkken.

es Visite nuestro sitio Web para localizar su distribuidor local y obtener información adicional sobre Pressalit y nuestras soluciones para cuartos de baño y cocinas.

fi Verkkosivuiltamme löydät paikallisen jälleenmyyjäsi ja saat lisätietoja Pressalitista sekä kylpyhuone- ja keittiöratkaisuiltamme.

pl Odwied nasz stron www, gdzie znajdziesz lokalnego dystrybutora oraz informacje o Pressalit i naszych rozwiązaniach dla łazienek oraz kuchni.

中文 请访问我们的网站查询您所在地的经销商，以便获得关于Pressalit 以及我们其他浴室和厨房用品更详细的信息资料。

