



R2122, R2123  
R2150, R2151  
R2152, R2153  
R2170, R2172



R4822, R482219  
R4827, R482719  
R4828, R4850  
R485019, R4852  
R485219, R4855  
R485519, R4857  
R485719, R4870  
R4875

## MATRIX

**Wash basin lifter** – Operation and maintenance manual **en**

**Vaskeløfter** – Brugs- og vedligeholdelsesvejledning **dk**

**Waschtisch-Lifter** – Gebrauchs- und Pflegeanleitung **de**

**Support de lavabo** – Manuel d'utilisation et d'entretien **fr**

**Muurframe voor wastafel** – Gebruiks- en onderhoudshandleiding **nl**

**Upphängning till tvättställ** – Bruks- och underhållsanvisning **sv**

**Opheng til servant** – Bruks- og vedlikeholdsveiledning **no**

**Soporte de lavabo** - Instrucciones de uso y mantenimiento **es**

**Supporto per lavabo** - Manuale d'uso e manutenzione **it**

**Wspornik umywalki** – Instrukcja obsługi i konserwacji **pl**

**洗面盆支架** - 操作和维护手册 **中文**

العربية  
رافعة حوض الغسيل – دليل التشغيل والصيانة



English	12
Dansk	38
Deutsch	64
Français	90
Nederlands	116
Svenska	142
Norsk	168
Español	194
Italiano	220
Język polski	246
中文	272
تعبیر علما	298



<b>en</b>	The guarantee covers faults or defects in material or manufacture within a period of 5 years. Products are subject to minor technical modifications and design deviations. E. & O.E.
<b>dk</b>	Garantien dækker i 5 år fra fakturadato for materiale- og fabriktionsfejl. Der tages forbehold for trykfejl, tekniske ændringer og modelafvigelse.
<b>de</b>	Die Garantie gilt für drei Jahre ab Rechnungsdatum für Material- und Herstellungsfehler. Druckfehler, technische Änderungen und Modellabweichungen vorbehalten.
<b>fr</b>	La garantie couvre les vices de fabrication et de matériaux pour une durée de 5 ans à partir de la date de facturation. Sous réserve de modifications techniques et d'erreurs d'impression.
<b>nl</b>	De garantie is tot 5 jaar na factuurdatum geldig voor materiaal- en fabricagefouten. Onder voorbehoud van drukfouten, technische wijzigingen en modelafwijkingen.
<b>sv</b>	Garantin gäller i 5 år från fakturadatum för material- och fabriktionsfel. Med reservation för tryckfel, tekniska ändringar och modellavvikelse.
<b>no</b>	Garantien gjelder i 5 år fra fakturadato for material- og fabriktionsfeil. Med forbehold for trykfeil, tekniske endringer og modellforskjeller.
<b>es</b>	La garantía cubre fallos de material o fabricación durante los tres años posteriores a partir de la fecha de factura. Mantenemos reservas en caso de problemas de presión, modificaciones técnicas y variaciones de modelo.
<b>it</b>	La garanzia copre i difetti di materiale o di fabbricazione per un periodo di 5 anni. I prodotti sono soggetti a piccole modifiche tecniche e a variazioni nel design.
<b>pl</b>	Pięcioletnia gwarancja obejmuje usterki oraz wady produkcyjne i materiałowe. Produkty mogą ulec nieznacznym zmianom technicznym i projektowym. Zastrzegamy sobie prawo do błędów i pominięć.
<b>中文</b>	保修涵盖 5 年内出现的材料或制造故障或缺陷。产品的技术和设计可能稍微发生变化，恕不另行通知。

العربية

يغطي الضمان الأخطاء أو العيوب في المواد أو التصنيع لفترة 5 أعوام. المنتجات عرضة لتعديلات فنية وفروق طفيفة في التصميم. حالات الخطأ والسهو مستثناة.

**REF**



**R4822, R4827, R4828**



**R4850, R4855**

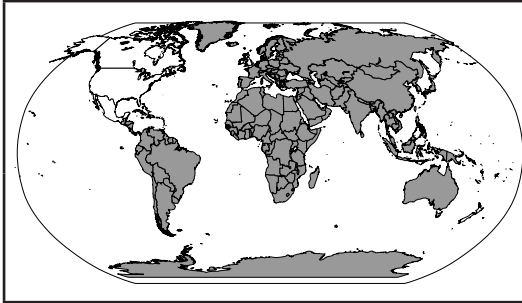


**R4852, R4857**



**R4870, R4875**

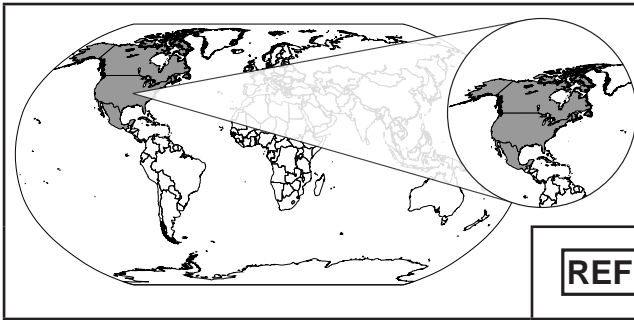




230V

**REF**

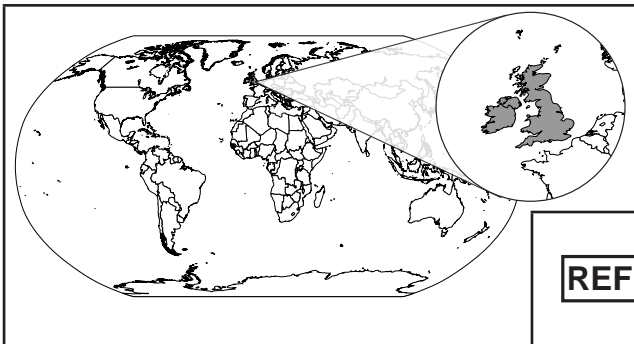
R4822, R4850, R4852  
R4870, R482219  
R485019, R485219



110V

**REF**

R4828



230V

**REF**

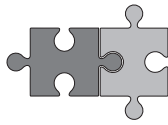
R4827, R4855, R4857  
R4875, R482719  
R485519, R485719



	<b>Max P</b>	<b>U</b>	<b>Max I</b>
R4822, R4850, R4852, R4870, R482219, R485019, R485219, R4827, R4855, R4857, R4875, R482719, R485519, R485719	330W	230V	1,5A
R4828	330W	120V	2,75A



		
R4822, R4827, R4828 R4850, R4855, R4852 R4857, R4870, R4875	18,8 kg / 41,5 lbs	150 kg / 330 lbs
R482219, R482719 R485019, R485219 R485519, R485719	22,5 kg / 50 lbs	



**R2122** ▶ R4822, R4827, R4828  
R482219, R482719



**R2123** ▶ R4822, R4827, R4828  
R482219, R482719

---



**R2150** ▶ R4850, R4855, R485019,  
R485519



**R2151** ▶ R4850, R4855, R485019,  
R485519

---



**R2152** ▶ R4852, R4857, R485219,  
R485719



**R2153** ▶ R4852, R4857, R485219,  
R485719

---



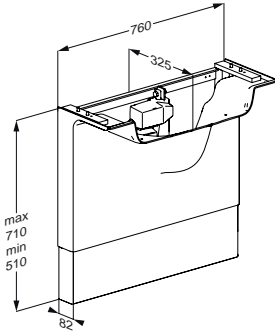
**R2170** ▶ R4870, R4875



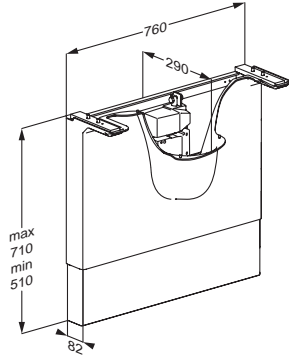
**R2172** ▶ R4870, R4875

---

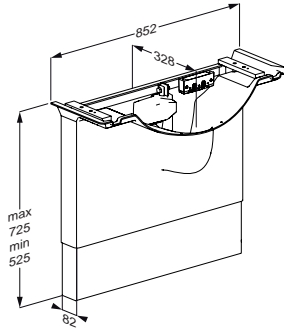
mm



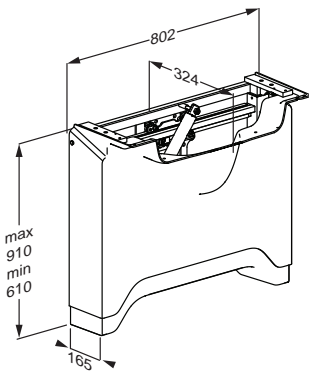
**R4822, R4827, R4828**



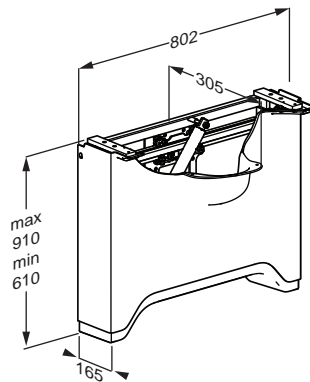
**R4850, R4852, R4855, R4857**



**R4870, R4875**

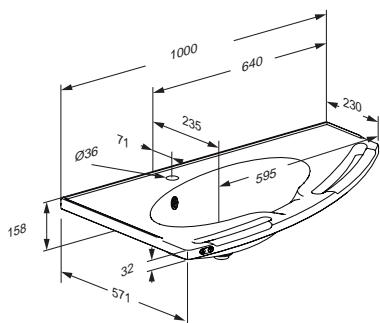


**R482219, R482719**

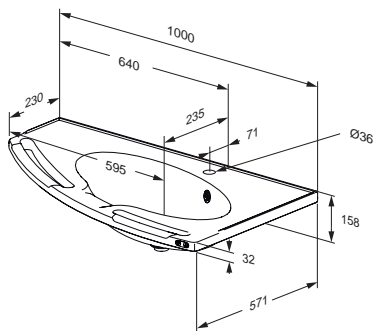


**R485019, R485519, R485219,  
R485719**

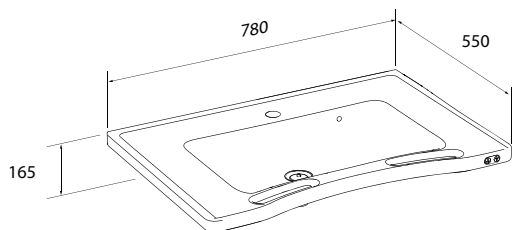




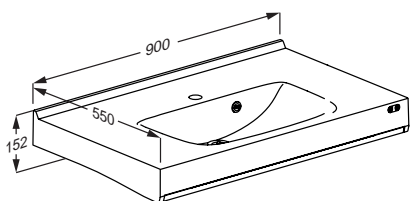
**R2150, R2151**



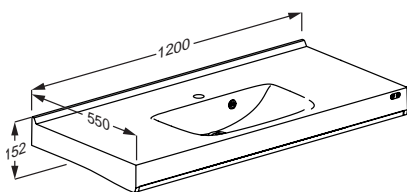
**R2152, R2153**



**R2122, R2123**

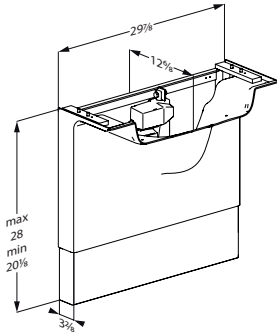


**R2170**

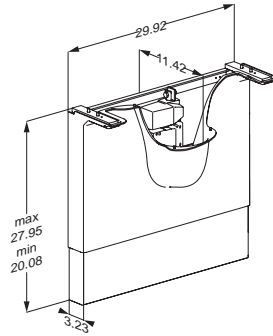


**R2172**

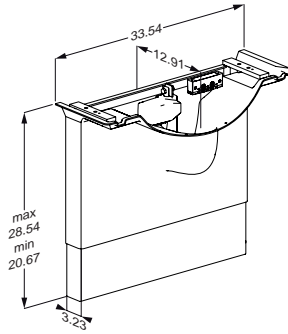
inch



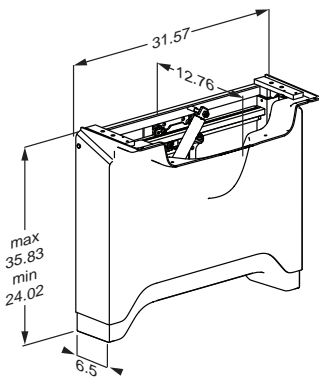
**R4822, R4827, R4828**



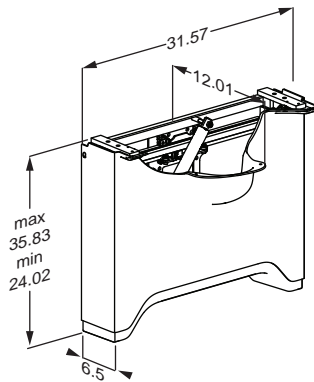
**R4850, R4852, R4855, R4857**



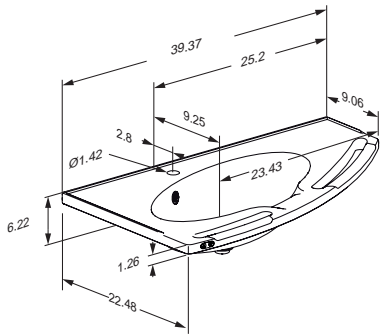
**R4870, R4875**



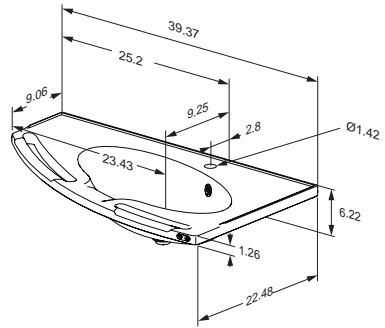
**R482219, R482719**



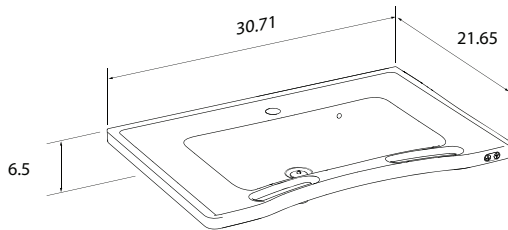
**R485019, R485519, R485219,  
R485719**



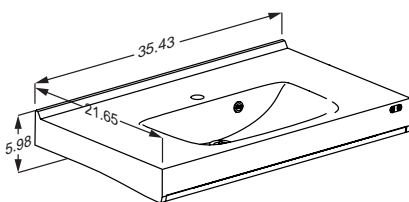
**R2150, R2151**



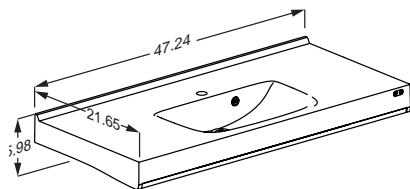
**R2152, R2153**



**R2122, R2123**



**R2170**



**R2172**

# Content

Mounting instruction . . . . .	12
General safety . . . . .	13
Symbols used in this manual . . . . .	14
General safety . . . . .	15
Safety distances . . . . .	16
Intended use . . . . .	18
Intended operator profile . . . . .	18
Intended user profile . . . . .	18
Operating environment . . . . .	18
Contraindications for use . . . . .	18
Operating instructions . . . . .	19
Sideways adjustment . . . . .	20
Safety rail . . . . .	21
Resetting the wash basin lifter . . . . .	21
Cleaning . . . . .	22
Maintenance . . . . .	23
Maintenance inspection . . . . .	23
Product label . . . . .	28
Trouble-shooting . . . . .	30
Electromagnetic compatibility . . . . .	31
Electromagnetic immunity . . . . .	32
Electromagnetic emission . . . . .	36
Technical data . . . . .	37
Storage and transportation . . . . .	37
Disposal and recycling . . . . .	38

en

## Mounting instruction




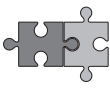




A mounting instruction is included with the product. It can also be downloaded from [pressalitcare.com](http://pressalitcare.com).

Original instructions

# Symbols used in this manual

The following symbols are used in this manual as well as the associated documentation supplied with the product.

 <b>WARNING</b>				<p><b>WARNING</b> indicates a potentially hazardous situation which, if not avoided, could result in death or serious injury.</p>
 <b>CAUTION</b>				<p><b>CAUTION</b> indicates a potentially hazardous situation which, if not avoided, may result in minor or moderate injury. It may also be used to alert against unsafe practices.</p>
<b>IMPORTANT</b>				<p><b>IMPORTANT</b> indicates important information about handling and use of the product.</p>
<b>NOTICE</b>				<p><b>NOTICE</b> is used to address practices not related to personal safety.</p>
 <p>Head injury warning</p>	 <p>Hands injury warning</p>	 <p>Genitalia injury warning</p>	 <p>Feet injury warning</p>	
 <p>Electricity / voltage warning</p>	 <p>Compatible products</p>	 <p>Article number / versions</p>	 <p>Power specifications</p>	
 <p>Product weight</p>	 <p>Max. user weight</p>			

en

# General safety

## **WARNING**

- Read and understand the manual completely before use. Keep the manual close to the unit.
- Comply with this manual to avoid accidents involving serious personal injury.
- Never use or handle this product in other ways than specified in this manual, as this can put your safety at risk and cause damage to the product.
- Make sure that everyone who is to install or use the product and its systems has the necessary information and access to this manual.

## **CAUTION**

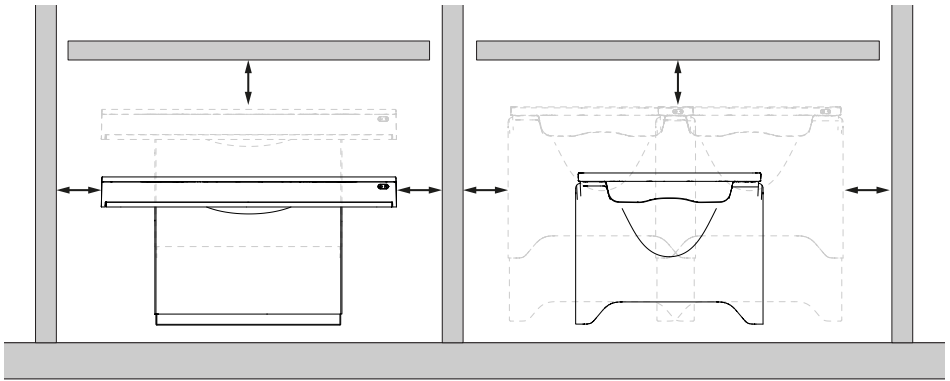
- Please comply with these instructions to avoid the product becoming damaged or destroyed.
- Do not perform repairs, disassembly, or assembly operations, extensions, re-adjustments or modifications to this product. These must be carried out by Pressalit or by persons authorized by Pressalit only.
- Never allow children to operate this product unless under supervision. The product is not intended for play.
- Never use the product if it is defective or damaged. Do not use a defective product before it has been repaired.







## **NOTICE**

- The information in this manual is based on correct fitting of the product in accordance with our mounting instruction.
- Pressalit cannot be held liable if the product is used in any way which differs from that described in the guide.
- We reserve the right to amend this manual without prior notice.

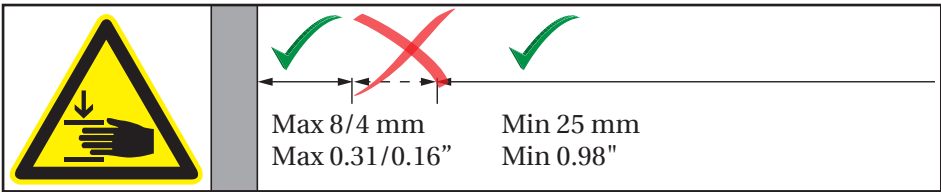
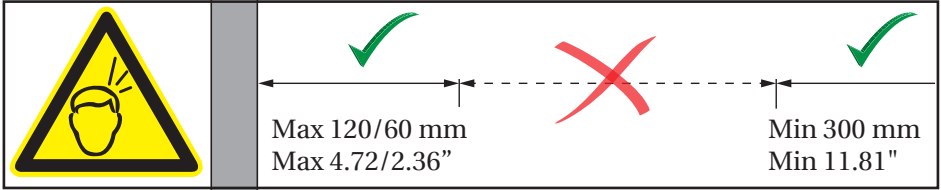
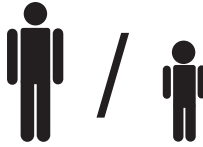
# Safety distances

Make sure that the wash basin lifter is at safe distance from surrounding objects. Check the distances before any use.

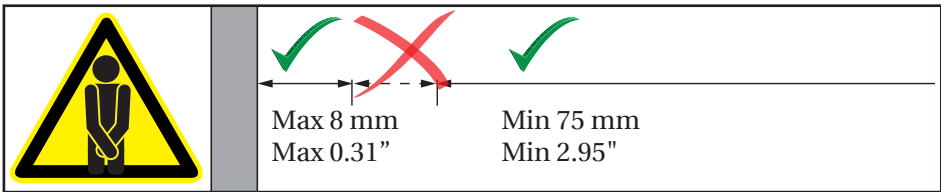
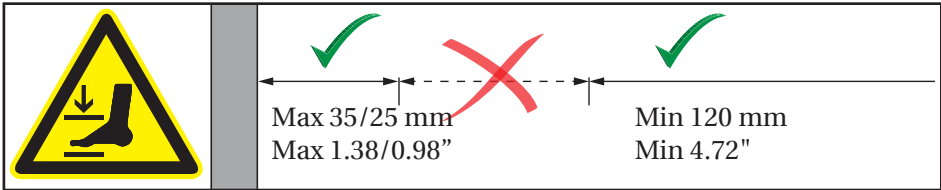


ISO 17966:2016		
	Max 120 mm (4.72") Min 300 mm (11.81")	Max 60 mm (2.36") Min 300 mm (11.81")
	Max 8 mm (0.31") Min 25 mm (0.98")	Max 4 mm (0.16") Min 25 mm (0.98")
	Max 35 mm (1.38") Min 120 mm (4.72")	Max 25 mm (0.98") Min 120 mm (4.72")
	Max 8 mm (0.31") Min 75 mm (2.95")	Max 8 mm (0.31") Min 75 mm (2.95")

en



en



 **WARNING**

If the unit moves within the safety distances, you must keep an especially close eye on surrounding people and objects to avoid crushing hazards.



## Intended use

This product is intended for optimum ergonomics at a wash basin, for both seated and standing users with disabilities.

## Intended operator profile

The product can be used by all - adults, children, young and old.

## Intended user profile

The product can be used by all - adults, children, young and old.

## Operating environment

For indoor use in a wet environment, such as a bathroom or wash room. The product is intended to be used at room temperature, in private homes, nursing homes and hospitals under normal working conditions.

## Contraindications for use

People who are not capable of keeping their balance in an upright position are not recommended to use this wash basin lifter.

en



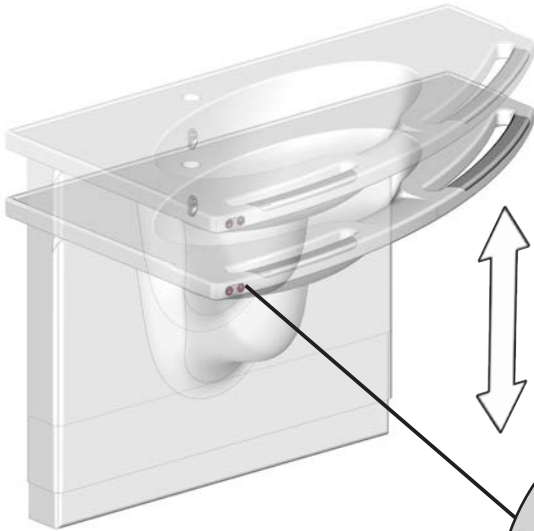
The surface of the product may become hot and / or cold if exposed to external sources of heat or cold (e.g. sunlight or frost).

## NOTICE

Any serious incident that has occurred in relation to the product should be reported to the manufacturer and the health authorities.

# Operating instructions

The wash basin lifter models R4822, R4827, R4828, R4850, R4855, R4852, R4857, R4870, and R4875 can be adjusted 200 mm (7.87") up and down. **Max load is 150 kg/330 lbs.**




The height adjustment is controlled by operating buttons in the front edge of the wash basin



Press and hold the up button to raise the wash basin, and press and hold the down button to lower it. When the button is released, the motion stops.

 **CAUTION**

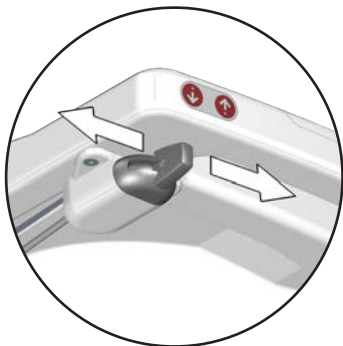
Never place objects underneath the wash basin.

 **Take care to avoid injury to hands when in the vicinity of moving mechanical parts.**

## Sideways adjustment

The wash basin lifter models R482219, R482719, R485019, R485519, R485219 and R485719 can be adjusted 300 mm (11.81") up and down, and also 500 mm in total (19.69") to either the left or right.

**Max load is 150 kg/330 lbs.**



Unlock the sliding mechanism by pressing and holding the side adjustment button to either the left or right.

Grasp the handles of the sink and push the

wash basin lifter to either the left or right. The lifter slides quite easily, so you don't have to use much effort.

When the wash basin lifter is in the desired position, release the side adjustment button and the lifter will lock in place with a click.

### CAUTION

Make sure the locking mechanism is properly engaged before any use or height adjustment. This is ensured by pushing the wash basin lifter a little to the right or left until a click is heard.

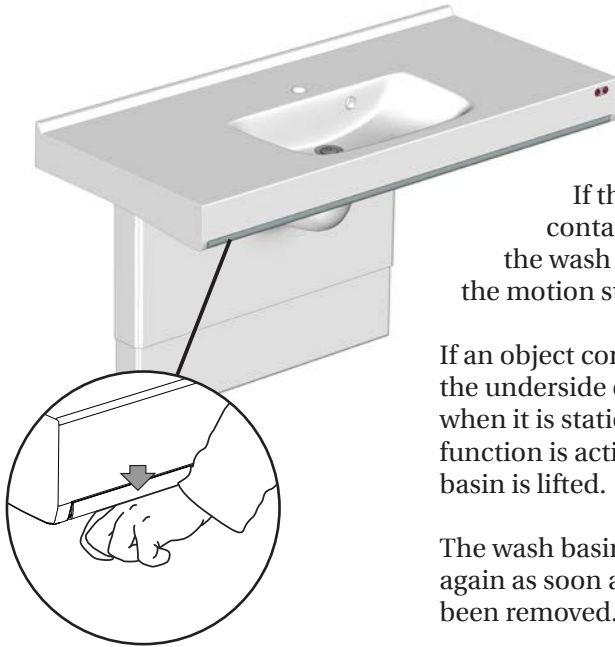


**Be careful not to injure your feet when moving the wash basin lifter sideways**

en

# Safety rail

The wash basin lifters **R4870** and **R4875** are equipped with a safety rail.



If the safety rail comes in contact with an object when the wash basin is being lowered, the motion stops immediately.

If an object comes in contact with the underside of the wash basin when it is stationary, the safety function is activated and the wash basin is lifted.

The wash basin lifter can be used again as soon as the obstruction has been removed.

## Resetting the wash basin lifter

If the wash basin lifter is jammed, try to reset it.

- ① Make sure that the safety rail is not activated. Lower the wash basin lifter all the way down to its starting position.
- ② Release the lowering button, and after 3-4 sec. press it in again until you hear a slight click after approx. 10 sec.
- ③ Release the lowering button and then raise the wash basin lifter to its highest position. You will hear another click.
- ④ Lower the wash basin lifter a couple of centimeters.
- ⑤ Raise it again to its highest position. You will hear another click. The wash basin lifter is now reset. The wash basin lifter should also be reset if there has been an interruption of the power supply.

# Cleaning

The product is to be cleaned with hot water or a mild soapy cleaning agent. To see which cleaning products have been tested and approved by Pressalit for the specific product, please visit [Pressalit.com](http://Pressalit.com) and refer to the product's item number. Pressalit recommends cleaning the product after installation.

## CAUTION

Always read the material safety data sheet (MSDS) and supplied instructions of the cleaning, disinfecting or de-scaling agent and comply with instructions for safe use, dilution, rinsing, drying, handling and storage of the agent.

## IMPORTANT

- Do not use an autoclave or other type of steam cleaner.
- Avoid aggressive cleaning agents containing acids.
- Never spray the product directly with a high pressure cleaner.
- For surface disinfection, chlorine-based disinfectants may be used according to the product specification and safety precautions for these products.

en

# Maintenance

Expected service life of the wash basin lifter is 10 years, provided that maintenance is carried out as described below.

It is recommended on a weekly basis to run the motors on the product to their maximum positions by raising the product to its full height, and then lowering it to its lowest position, so that the internal parts are lubricated.

It is recommended that maintenance inspection is done once a year.

## Maintenance inspection

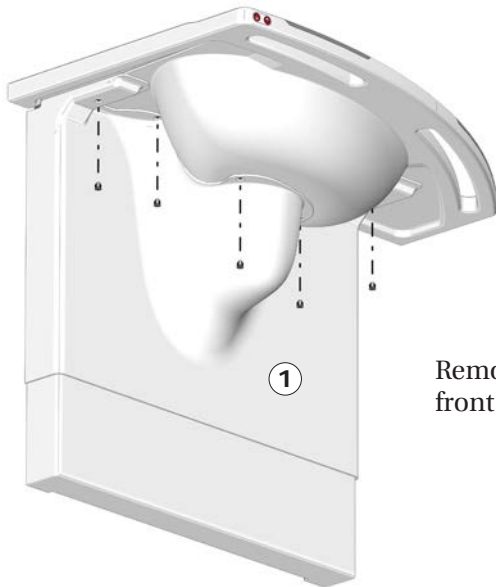
Take the wash basin to its highest position.



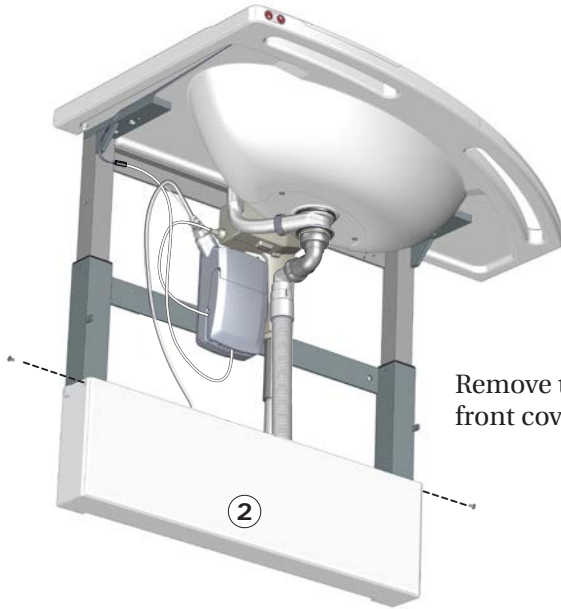
**Disconnect mains before removing the covers.**

**For R4822, R4827, R4828, R4850, R4855, R4852 and R4857**

en

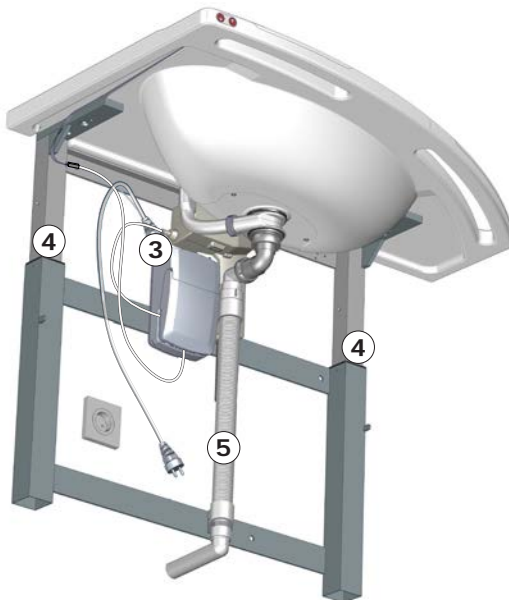


Remove the screws and the upper front cover ①.



Remove the screws and the lower front cover ②.

en



Check all electrical connections ③.

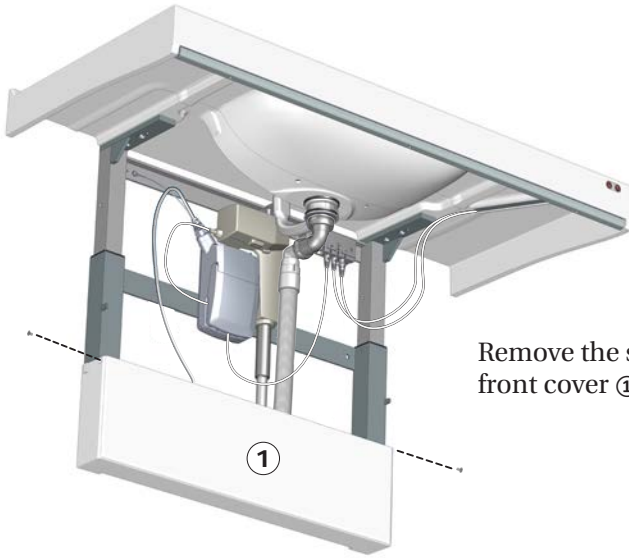
Lubricate the inner square tubes ④ and the actuator rod ⑤.

Reattach the front and the top cover.

Reconnect mains.

Lower the wash basin to its lowest position, and then run it to the top position again to distribute the lubricant.

**For R4870 and 4875**

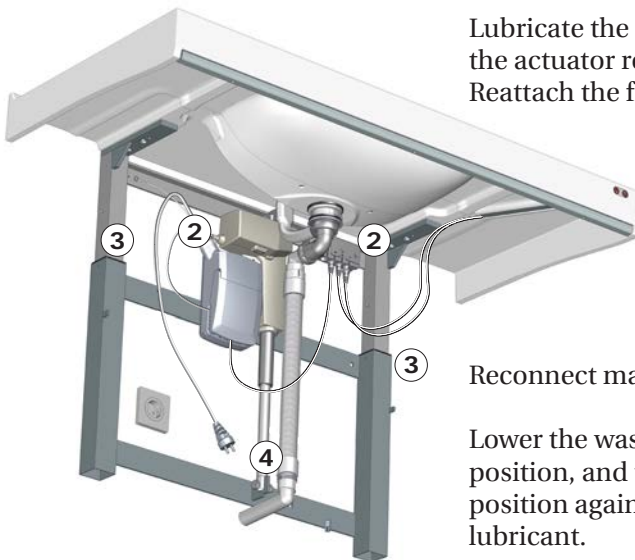


Remove the screws and the lower front cover ①.

en

Check all electrical connections ②.

Lubricate the inner square tubes ③ and the actuator rod ④.  
Reattach the front and the top cover.



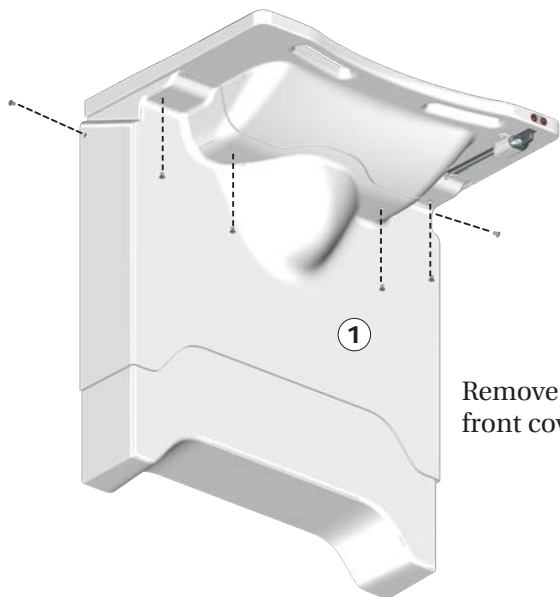
Reconnect mains.

Lower the wash basin to its lowest position, and then run it to the top position again to distribute the lubricant.



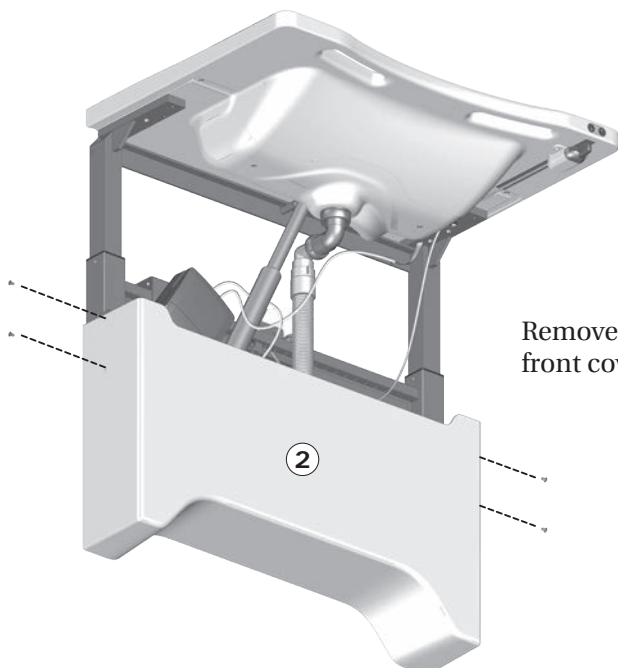
**For R482219, R482719, R485019, R485219, R485519, R485719**

Take the wash basin to its highest position.

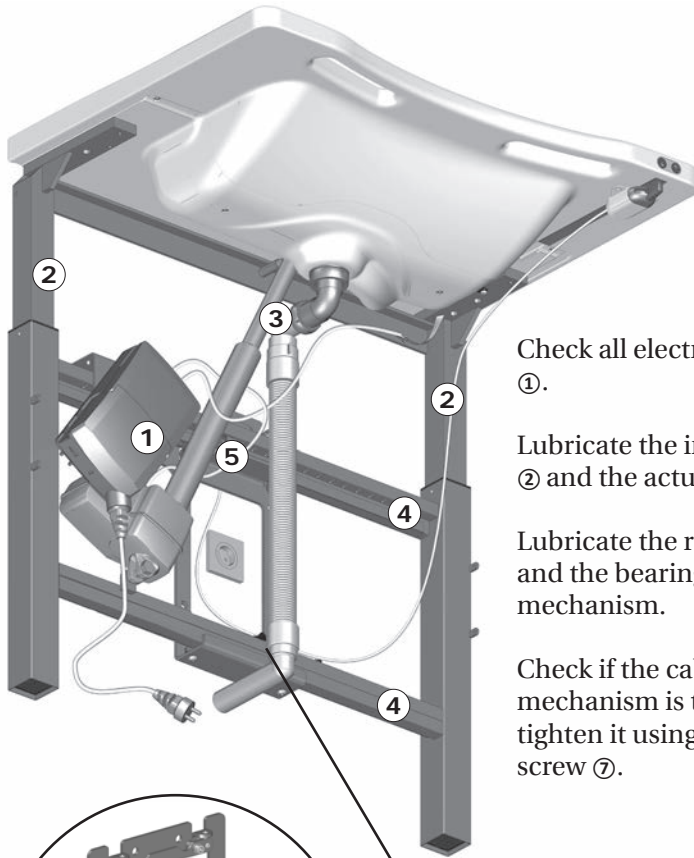


Remove the screws and the upper front cover ①.

en



Remove the screws and the lower front cover ②.

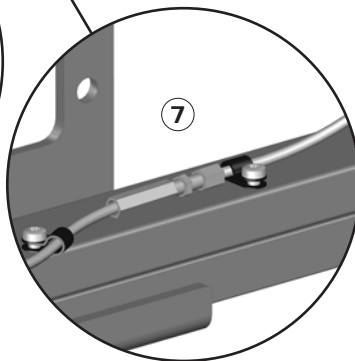
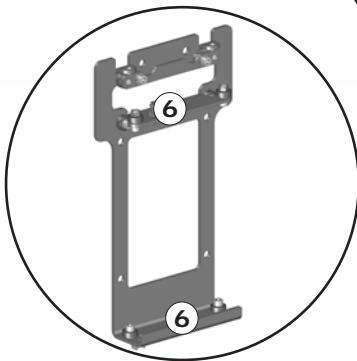


Check all electrical connections ①.

Lubricate the inner square tubes ② and the actuator rod ③.

Lubricate the rails ④, the lock ⑤ and the bearings ⑥ for the sliding mechanism.

Check if the cable for the locking mechanism is too loose. If so, tighten it using the adjustment screw ⑦.



Reattach the front and the top cover, and reconnect mains.  
Lower the wash basin to its lowest position, and then run it to the top position again to distribute the lubricant.  
Also slide the wash basin lifter to its extreme left and right positions.



⑩ IP class

---

⑪ Electric Current

---

⑫ UDI carrier GS1-128 barcode

---

⑬ Product weight

---

⑭ Batch code

---

⑮ UK Conformity Assessed

---

These products are CE-marked in accordance with relevant requirements in:

- ⑯
- Regulation (EU) 2017/745 (5 April 2017) on medical devices.
  - Council Directive 2006/42/EC (of 17 May 2006) on machinery.
  - Council Directive 2011/65/EC (of 8 June 2011) on RoHS.

A declaration of conformity can be found at [pressalit.com](http://pressalit.com)

---

⑰ This product does not contain any of the hazardous substances mentioned in the Council Directive 2011/65/EC on RoHS.

---

⑱ Product name (if any)

---

⑲ Do not dispose as unsorted municipal waste. The product should be collected separately and returned to the designated recycling service.

---

⑳ Type BF applied part Part of the product in normal use necessarily comes into physical contact with the patient to perform its function  
The product complies with requirements of IEC 60601-1 to provide protection against electric shock.

---

㉑ Duty cycle

---

㉒ Consult the manual for important cautionary information such as warnings and precautions.

---

㉓ Consult manual for use

---

㉔ Name and address of manufacturer

---

㉕ Class II Product, double insulated

---

# Trouble-shooting

Symptom	Cause	Action
Operating buttons does not work.	Fault in power supply.	Check that all wires and plugs are intact and correctly connected. Contact Pressalit A/S or your local dealer.
The product runs up and down unevenly.	The inner square tubes are not properly lubricated.	Oil the inner square tubes as described under "Maintenance".
The product cannot be moved sideways.	Hoses or cables may be stuck.	Remove the cover(s) and check if anything is jammed.
	The locking mechanism may be stuck.	Check the lock and the cable as described under "Maintenance".
Safety system does not work.	Faulty switches.	Check whether one or more of the safety system contacts is stuck, and if so, try to untangle it. If the problem cannot be fixed, replace the contact(s). The safety system will only work when current can be detected. Remember to reset as described under "Resetting the wash basin lifter".

Contact Pressalit or your dealer if the problem cannot be remedied. Do not attempt to repair the product yourself, as this will invalidate the guarantee.

# Electromagnetic compatibility

The device is suitable for use at home, at daycare centres, at day centres for persons with physical or mental disabilities or at hospitals except near active HF surgical equipment and RF shielded rooms with medical systems for magnetic resonance imaging with high intensity of electromagnetic disturbances.

The device does not have any function related to basic safety or essential performance. In the event of performance loss or degradation caused by electromagnetic disturbances, the user's safety remains uncompromised.


<b>Cable</b>	<b>Length</b>
Power cable	3,2 m (126")
Hand control spiral cable	Approx. 5 m (197") extended




- Use of accessories, transducers and cables other than those specified or provided by the manufacturer could result in increased electromagnetic emissions or decreased electromagnetic immunity of this equipment and result in improper function.
- Portable RF communications equipment (including peripherals such as antenna cables and external antennas) should be used no closer than 30 cm (12 inches) to any part of the unit, including its cables, to avoid any degradation of the performance of this unit.
- Use of this equipment adjacent to or stacked with other equipment should be voided because it could result in improper operation. If such use is necessary, this equipment and the other equipment should be observed to verify that they are operating normally.

en


## Electromagnetic immunity

<b>Electrostatic discharge</b>	
	The product must not be affected by electrical discharge between a person and the product in such a way as to initiate actions or render components defective.
<b>Test standard</b>	<b>Immunity test level</b>
EN 61000-4-2	+/- 8 kV contact +/- 2, 4, 8, 15 kV air

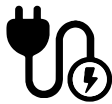
<b>Radiated RF electromagnetic field</b>	
	The product must not be affected by radiating RF signals, for example from a mobile phone or radio, that could cause the product to take action or to make components defective.
<b>Test standard</b>	<b>Immunity test level</b>
EN 61000-4-3	15 V/m 80 MHz to 1000 MHz 15 V/m 1,01 GHz to 6 GHz 80 % AM 1 kHz

en


### Immunity to proximity fields from RF wireless communication equipment

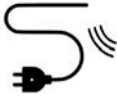
	<p>The product must not be affected by radiating RF signals, for example from a mobile phone or radio, that could cause the product to take action or to make components defective.</p>
<p><b>Test standard</b></p>	<p><b>Immunity test level</b></p>
<p>EN 61000-4-3*</p>	<p>385 MHz, 27V/m, 18 Hz PM (50 % duty cycle square wave)            450 MHz, 28V/m, FM +/- 5 kHz deviation, 1 kHz sine            710 MHz, 9V/m, 217 Hz PM (50 % duty cycle square wave)            745 MHz, 9V/m, 217 Hz PM (50 % duty cycle square wave)            780 MHz, 9V/m, 217 Hz PM (50 % duty cycle square wave)            810 MHz, 28V/m, 18 Hz PM (50 % duty cycle square wave)            870 MHz, 28V/m, 18 Hz PM (50 % duty cycle square wave)            930 MHz, 28V/m, 18 Hz PM (50 % duty cycle square wave)            1720 MHz, 28V/m, 217 Hz PM (50 % duty cycle square wave)            1845 MHz, 28V/m, 217 Hz PM (50 % duty cycle square wave)            1970 MHz, 28V/m, 217 Hz PM (50 % duty cycle square wave)            2450 MHz, 28V/m, 217 Hz PM (50 % duty cycle square wave)            5240 MHz, 9V/m, 217 Hz PM (50 % duty cycle square wave)            5500 MHz, 9V/m, 217 Hz PM (50 % duty cycle square wave)            5785 MHz, 9V/m, 217 Hz PM (50 % duty cycle square wave)</p>


### Electrical fast transient/burst

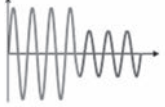
	<p>The product must not be affected by rapid pulse signals through the cord. This could cause the components to become defective, or the product could initiate actions.</p>
<p><b>Test standard</b></p>	<p><b>Immunity test level</b></p>
<p>EN 61000-4-4</p>	<p>+/- 1 kV , +/- 2 kV            100 kHz repetition frequency</p>




<b>Surge immunity</b>	
	The product must not be affected to initiate actions or to render components defective as a result of lightning.
<b>Test standard</b>	<b>Immunity test level</b>
EN 61000-4-5	Line-to-line: +/- 0.5 kV, +/- 1 kV Line-to-ground: +/- 0.5 kV, +/- 1 kV, +/- 2 kV (N/A)

<b>Immunity to conducted disturbances induced by RF fields</b>	
	The wires must not be affected by other RF fields so as to initiate actions or render components defective.
<b>Test standard</b>	<b>Immunity test level</b>
EN 61000-4-6	3 V (6 V in ISM bands and amateur radio bands) 0,15 to 80 MHz, 80 % AM at 1 kHz


<b>Power frequency magnetic field immunity</b>	
	The product must not be affected to initiate actions or to render components defective as a result of magnetic fields.
<b>Test standard</b>	
EN 61000-4-8	30 A/m, 60 Hz


<b>Voltage dips</b>	
	The product must not initiate or limit actions as a result of a dip in the power supply.
<b>Test standard</b>	<b>Immunity test level</b>
EN 61000-4-11	0 % $U_T$ ; 0.5 cycle at 0°, 45°, 90°, 135°, 180°, 225°, 270° and 315° 0 % $U_T$ ; 1 cycle at 0° 70 % $U_T$ ; 25 cycles at 0° Single phase at 0°


<b>Voltage interruptions</b>	
	The product must not initiate or limit actions as a result of a short-term power supply stop.
<b>Test standard</b>	<b>Immunity test level</b>
EN 61000-4-11	0 % $U_T$ ; 300 cycle


en

## Electromagnetic emission

<b>Conducted RF emission</b>	
	The product must not send too much noise into the grid. This could lead to a disruption of other products.
<b>Test standard</b>	<b>Emission test class and group</b>
EN 55011	Class B, group 1

<b>Radiated RF emission</b>	
	The product must not emit RF signals in the room. This could lead to a disruption of other products.
<b>Test standard</b>	<b>Emission test class and group</b>
EN 55011	Class B, group 1

<b>Harmonic current emissions</b>	
	The product must not unintentionally draw power from the grid.
<b>Test standard</b>	<b>Emission test class and group</b>
IEC 61000-3-2	Class A

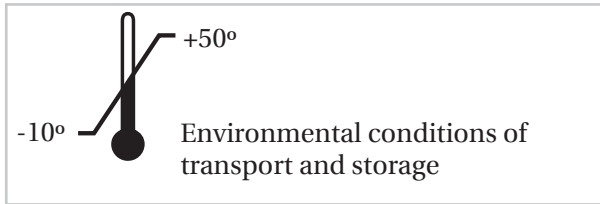
<b>Voltage changes, voltage fluctuations and flicker</b>	
	The product must not affect other products when it is connected to the grid. For example, these could be lights that could start flashing and thus bother people in the room.
<b>Test standard</b>	<b>Emission test class and group</b>
EN 61000-3-3	Tested according to the standard.

en

# Technical data

Materials	Powder laquered stainless steel. Plastics (PVC, Polystyrene, ABS).
IP class	The electrical parts have an ingress protection class rating of IPX6. The product may not be immersed in water, but is designed to withstand powerful jets (12.5 mm nozzle) of water from any direction.
Measured sound pressure level	48 dB

# Storage and transportation



- The temperature for transportation and storage of the unit must be between -10 and 50 degrees Celsius / 14 and 122 degrees Fahrenheit.
- The unit must always be transported in its original packaging.
- Avoid subjecting the packaging to shocks and impacts.
- Do not use the product if the packaging is broken or damaged.

# Disposal and recycling

The unit contains reusable materials. There are no known hazards or risks associated with disposal of the product. All components can be discarded after having been cleaned and disinfected.

When disposing of the product, we recommend that it be disassembled and broken down into different waste groups for recycling or combustion.

The following table provides information on the recycling and handling of the product.

<b>Recyclable components</b>	<b>Material</b>
Steel	Steel can be recycled by being melted down and included as a secondary material in the production of new steel.
Plastics	Use plastic sorting and recycling systems where they are locally available, otherwise incinerating plastic has the added benefit of generating energy which can be used for, for example, combined heat and power production.
Electronics	The electronic components should be collected separately and returned to the designated recycling service.

en

# Indhold

Monteringsvejledning.....	39
Symboler, der er anvendt i denne vejledning .....	40
Generel sikkerhed .....	41
Sikkerhedsafstande .....	42
Tilsigtet brug .....	44
Tilsigtet personaleprofil.....	44
Tilsigtet brugerprofil .....	44
Betjeningsmiljø .....	44
Kontraindikationer for brug .....	44
Betjeningsinstruktioner .....	45
Sidelæns justering .....	46
Sikkerhedsskinne .....	47
Nulstilling af håndvaskeløfteren .....	47
Rengøring .....	48
Vedligeholdelse.....	49
Vedligeholdelsesinspektion.....	49
Produktmærkning .....	54
Fejlfinding .....	56
Elektromagnetisk kompatibilitet .....	57
Elektromagnetisk immunitet .....	58
Elektromagnetisk emission .....	61
Tekniske data .....	62
Opbevaring og transport .....	62
Bortskaffelse og genbrug .....	63

dk

## Monteringsvejledning



Der følger en monteringsvejledning med dette produkt. Den kan også downloades fra [pressaliticare.com](http://pressaliticare.com).

# Symboler, der er anvendt i denne vejledning

Følgende symboler er anvendt i denne vejledning og i den tilhørende dokumentation, der følger med produktet.



**ADVARSEL** angiver en potentielt farlig situation, som, hvis den ikke undgås, kan medføre dødsfald eller alvorlig personskade.



**FORSIGTIG** angiver en potentielt farlig situation, som, hvis den ikke undgås, kan medføre større eller mindre personskade. Det kan også bruges til at advare om usikre fremgangsmåder.



**VIGTIGT** angiver vigtige oplysninger om håndtering og anvendelse af produktet.



**BEMÆRK** vedrører fremgangsmåder, der ikke er forbundet med personlig sikkerhed.



Advarsel om hovedskade



Advarsel om håndskade



Advarsel om skade på kønsdelene



Advarsel om fodskade



Advarsel om elektricitet/spænding



Kompatible produkter



Produktnummer/-versioner



Elektriske specifikationer



Produktvægt



Maks. brugervægt

## Generel sikkerhed

### **ADVARSEL**

- Læs og forstå hele vejledningen før brug. Opbevar vejledningen tæt på produktet.
- Følg denne vejledning for at undgå uheld og alvorlig personskade.
- Dette produkt må aldrig bruges eller håndteres på anden måde end som angivet i denne vejledning, da dette vil kunne udgøre en risiko for din sikkerhed og beskadige produktet.
- Sørg for, at alle, der installerer eller bruger dette produkt og dets systemer, har de nødvendige oplysninger samt adgang til denne vejledning.

### **FORSIGTIG**

- Følg disse instruktioner for at undgå, at produktet beskadiges eller ødelægges.
- Der må ikke foretages reparationer, demonteringer, samlinger, udvidelser, tilpasninger eller ændringer på dette produkt. Dette må kun udføres af Pressalit eller af personer, som er autoriseret af Pressalit.
- Lad ikke børn betjene dette produkt uden opsyn. Produktet er ikke beregnet til leg.
- Produktet må ikke benyttes, hvis det er defekt eller beskadiget. Et defekt produkt må ikke anvendes, før det er repareret.

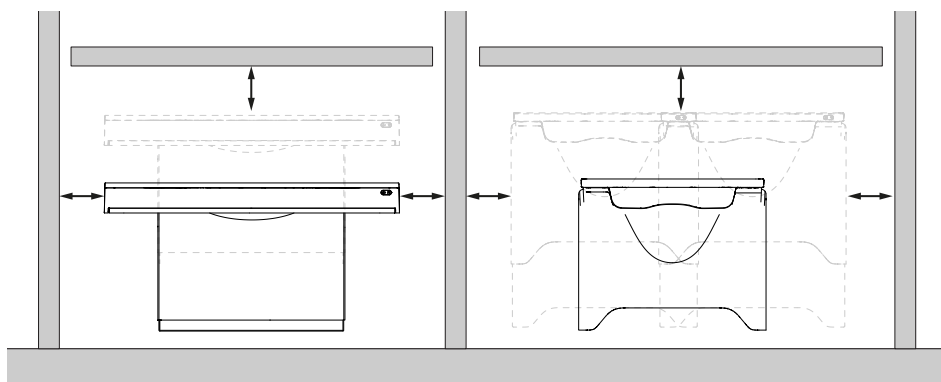
### **BEMÆRK**







- Oplysningerne i denne vejledning er baseret på korrekt justering af produktet i overensstemmelse med vores monteringsvejledning.
- Pressalit kan ikke holdes ansvarlig, hvis produktet bruges på andre måder end som beskrevet i vejledningen.
- Vi forbeholder os ret til at ændre denne vejledning uden forudgående varsel.



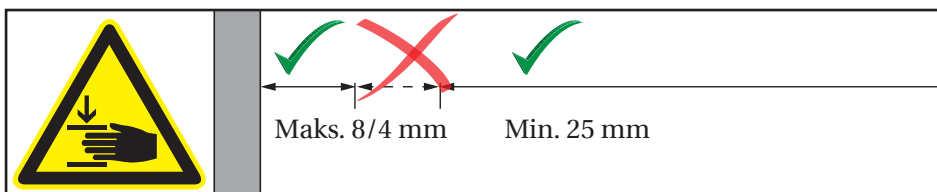
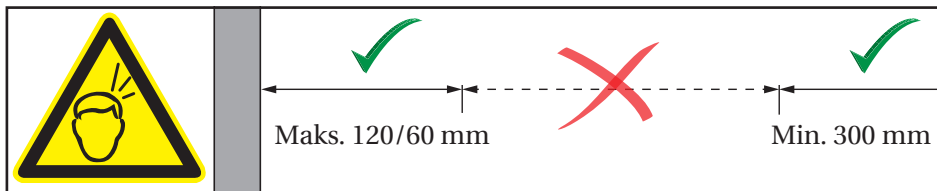
# Sikkerhedsafstande

Sørg for, at håndvaskeløfteren står i en sikker afstand fra omgivende genstande. Kontrollér afstandene før hver brug.

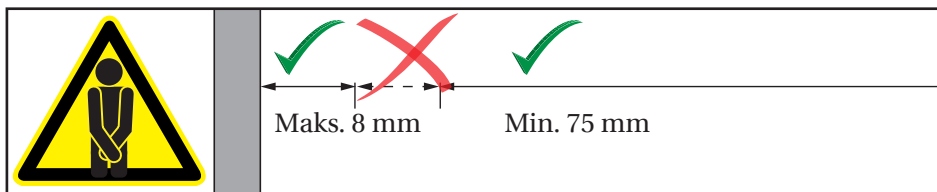
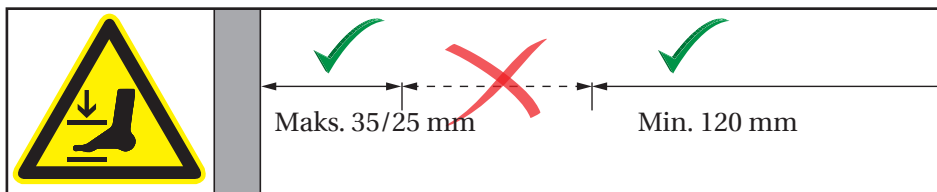


ISO 17966:2016		
	Maks. 120 mm Min. 300 mm	Maks. 60 mm Min. 300 mm
	Maks. 8 mm Min. 25 mm	Maks. 4 mm Min. 25 mm
	Maks. 35 mm Min. 120 mm	Maks. 25 mm Min. 120 mm
	Maks. 8 mm Min. 75 mm	Maks. 8 mm Min. 75 mm

dk



dk



 **ADVARSEL**

Hvis enheden bevæges inden for sikkerhedsafstandene, skal du være ekstra opmærksom på personer og genstande omkring enheden for at undgå knusningsfarer.

## Tilsigtet brug

Dette produkt er tiltænkt som en optimal ergonomisk enhed til brug ved en håndvask til både siddende og stående brugere med nedsat funktionsevne.

### Tilsigtet personaleprofil

Produktet kan bruges af alle – voksne, børn, unge og gamle.

### Tilsigtet brugerprofil

Produktet kan bruges af alle – voksne, børn, unge og gamle.

### Betjeningsmiljø

Til indendørs brug i våde omgivelser, som f.eks. et badeværelse eller vaskerum. Produktet er beregnet til anvendelse ved stuetemperatur, i private hjem, på plejehjem og hospitaler under normale arbejdsforhold.

### Kontraindikationer for brug

Personer, der ikke kan holde balancen i opretstående stilling, anbefales ikke at bruge denne håndvaskeløfter.

dk



Produktets overflade kan blive varm og/eller kold, hvis den udsættes for eksterne varme- eller kuldekilder (f.eks. sollys eller frost).

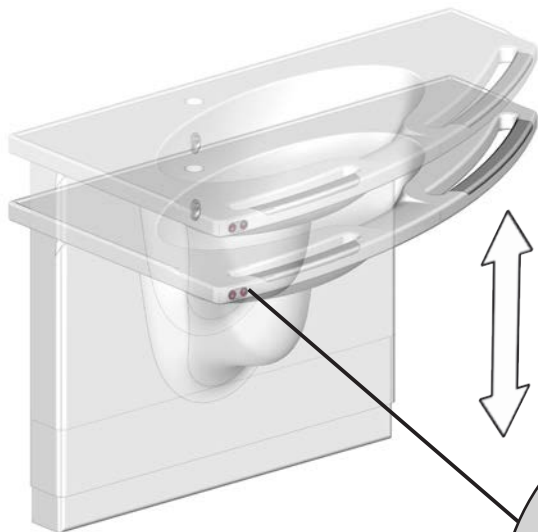
### BEMÆRK

Enhver alvorlig hændelse, der opstår i relation til produktet, skal rapporteres til producenten og sundhedsmyndighederne.

# Betjeningsinstruktioner

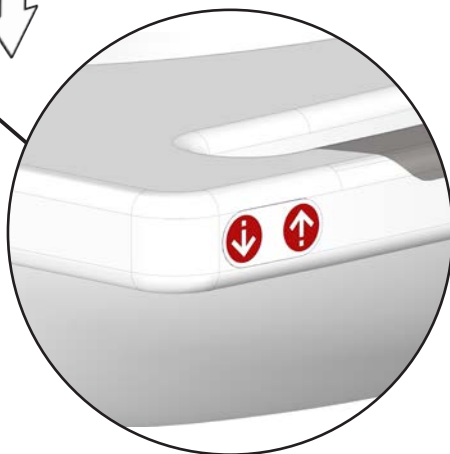
Håndvaskeløftermodellerne R4822, R4827, R4828, R4850, R4855, R4852, R4857, R4870 og R4875 kan justeres 200 mm op og ned.

**Maks. belastning er 150 kg.**



Højdejusteringen styres af betjeningsknapperne på forkanten af håndvasken.

Tryk på pil op-knappen, og



dl

hold den inde for at hæve håndvasken, og tryk på pil ned-knappen, og hold den inde for at sænke håndvasken. Når knappen slippes, stopper bevægelsen.



**Udvis forsigtighed for at undgå skader på hænderne, når disse er i nærheden af bevægelige mekaniske dele.**

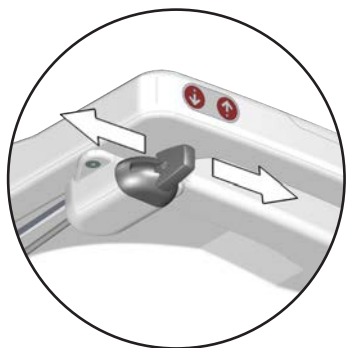
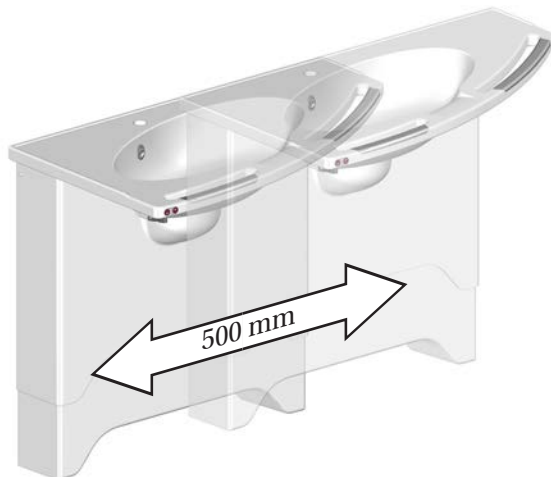
**! FORSIGTIG**

Placer aldrig genstande under håndvasken.

## Sidelæns justering

Håndvaskeløftermodellerne R482219, R482719, R485019, R485519, R485219 og R485719 kan justeres 300 mm op og ned og 500 mm i alt til enten venstre eller højre.

**Maks. belastning er 150 kg.**



Lås glidemekanismen op ved at trykke og holde på knappen til sidelæns justering til enten venstre eller højre.

Tag fat i håndtagene på håndvasken, og skub

håndvaskeløfteren til enten venstre eller højre. Løfteren glider ret nemt, så du skal ikke bruge for mange kræfter. dk

Når håndvaskeløfteren er i den ønskede position, skal du slippe knappen til sidelæns justering, hvorefter løfteren låses på plads med et klik.

 **FORSIGTIG**

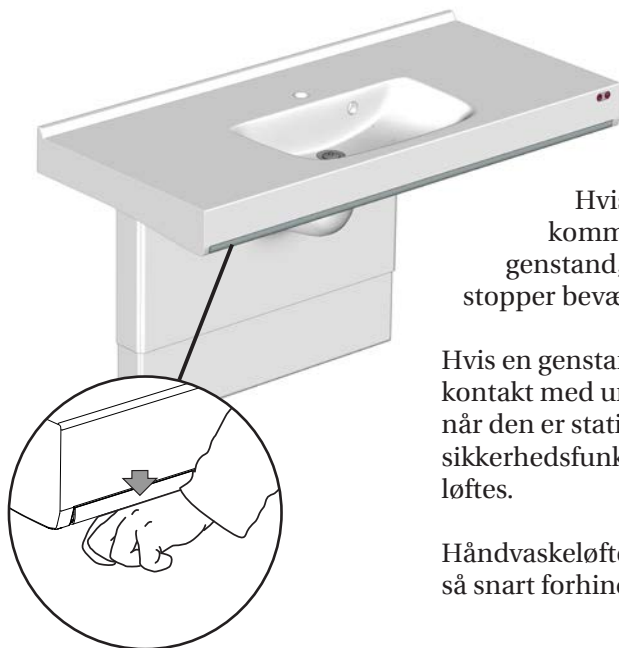
Sørg for, at låsemekanismen er låst korrekt før brug eller højderegulering. Dette sikres ved at skubbe håndvaskeløfteren lidt til højre eller venstre, indtil der lyder et klik.



**Udvis forsigtighed for at undgå skader på fødderne, når håndvaskeløfteren bevæges sidelæns**

# Sikkerhedsskinne

Håndvaskeløfterne **R4870** og **R4875** er udstyret med en sikkerhedsskinne.



Hvis sikkerhedsskinnen kommer i kontakt med en genstand, når vasken sænkes, stopper bevægelsen straks.

Hvis en genstand kommer i kontakt med undersiden af vasken, når den er stationær, aktiveres sikkerhedsfunktionen, og vasken løftes.

Håndvaskeløfteren kan bruges igen, så snart forhindringen er fjernet.

dk

## Nulstilling af håndvaskeløfteren

Hvis håndvaskeløfteren sætter sig fast, skal du forsøge at nulstille den.

- ① Sørg for, at sikkerhedsskinnen ikke er aktiveret. Sænk håndvaskeløfteren helt ned til startpositionen.
- ② Slip knappen til sænkning af vasken, og tryk på den igen efter 3-4 sek., indtil du hører et svagt klik efter ca. 10 sek.
- ③ Slip knappen til sænkning af vasken, og hæv derefter håndvaskeløfteren til dens højeste position. Du vil høre endnu et klik.
- ④ Sænk håndvaskeløfteren et par centimeter.
- ⑤ Hæv den igen til dens højeste position. Du vil høre endnu et klik. Håndvaskeløfteren er nu nulstillet. Håndvaskeløfteren skal også nulstilles, hvis der har været strømafbrydelse.

# Rengøring

Produktet skal rengøres med varmt vand eller mildt sæbevand.

For at se, hvilke rengøringsprodukter der er blevet testet og godkendt af Pressalit for det angivne produkt, skal du gå til [Pressalit.com](http://Pressalit.com) og se produktets varenummer.

Pressalit anbefaler rengøring af produktet efter installation.

## **FORSIGTIG**

Læs altid sikkerhedsdatabladet (MSDS) og de instruktioner, der følger med rengørings-, desinfektions- eller afkalkningsmidlet, og følg instruktionerne for sikker brug, fortynding, skylning, tørring, håndtering og opbevaring af midlet.

## **VIGTIGT**

- Brug ikke autoklavering eller en anden form for damprensere.
- Undgå stærke rengøringsmidler, der indeholder syre.
- Produktet må aldrig sprøjtes direkte med en højtryksrenser.
- Klorbaserede desinfektionsmidler kan bruges til desinfektion af overflader i henhold til produktspecifikationen og sikkerhedsforanstaltninger for disse produkter.

# Vedligeholdelse

Den forventede levetid for håndvaskeløfteren er 10 år, forudsat at vedligeholdelsen udføres som beskrevet nedenfor.

Det anbefales at køre motorerne på produktet til deres maksimale position én gang om ugen ved at hæve produktet til dets fulde højde og derefter sænke det til den laveste position, så de indvendige dele smøres.

Det anbefales, at der udføres vedligeholdelsesinspektion en gang om året.

## Vedligeholdelsesinspektion

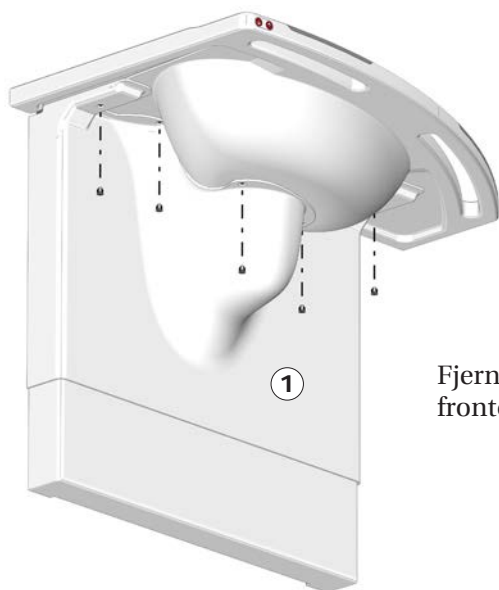
Flyt vasken til dens højeste position.



**Frakobl  
netstrømsforsyningen,  
før afskærmningerne  
tages af.**

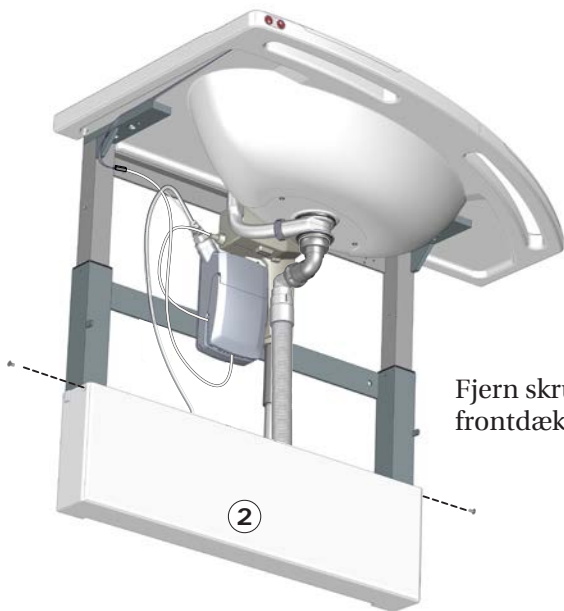
**For R4822, R4827, R4828, R4850, R4855, R4852 og R4857**

dk

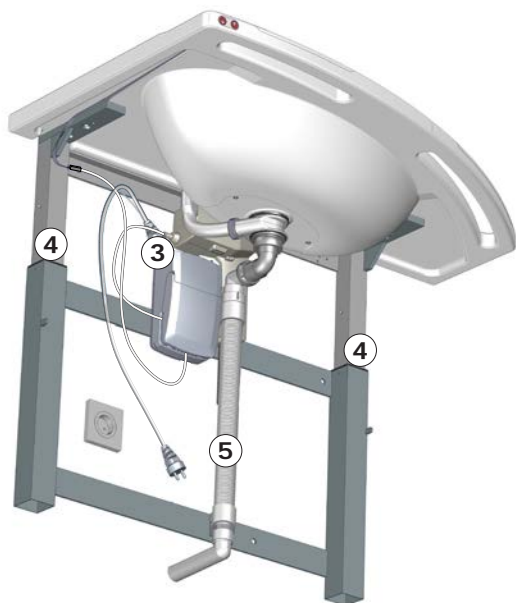


Fjern skruerne og det øverste frontdæksel ①.





Fjern skrueerne og det nederste frontdæksel ②.



Kontrollér alle de elektriske forbindelser ③.

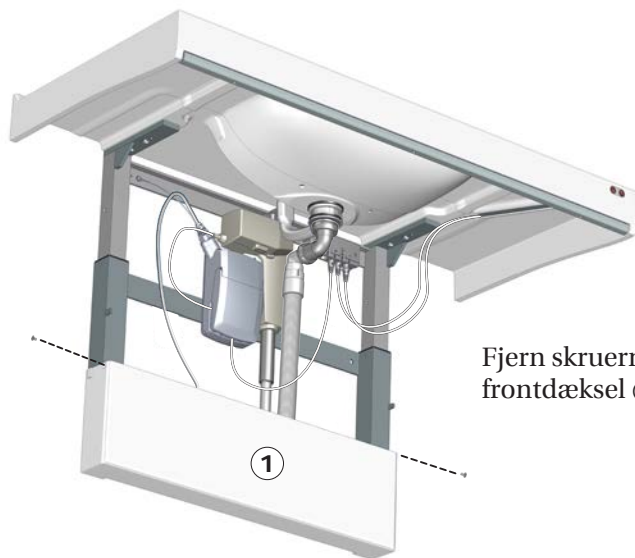
Smør de indvendige firkantede rør ④ og aktuatorstangen ⑤.

Sæt front- og topdækslet på igen.

Gentilslut netstrømsforsyningen.

Sænk håndvasken til dens laveste position, og køør den derefter til den øverste position igen for at fordele smøremidlet.

## For R4870 og 4875

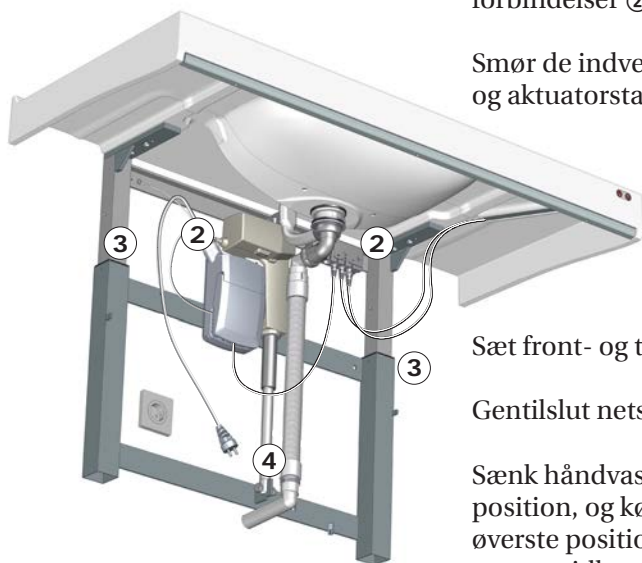


Fjern skrueerne og det nederste frontdæksel ①.

dk

Kontrollér alle de elektriske forbindelser ②.

Smør de indvendige firkantede rør ③ og aktuatorstangen ④.



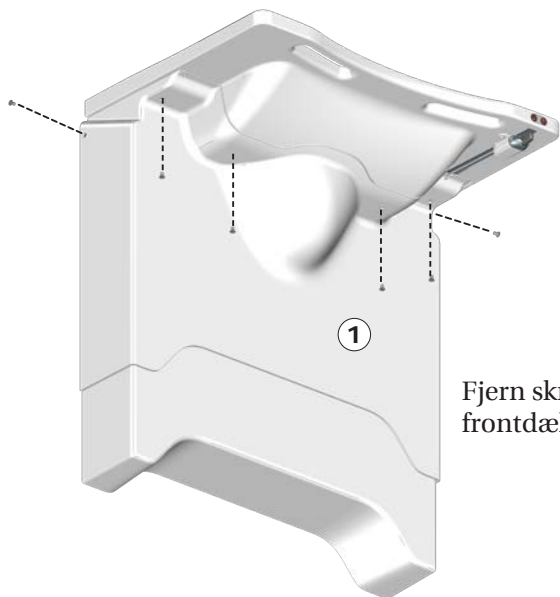
Sæt front- og topdækslet på igen.

Gentilslut netstrømsforsyningen.

Sænk håndvasken til dens laveste position, og kød den derefter til den øverste position igen for at fordele smøremidlet.

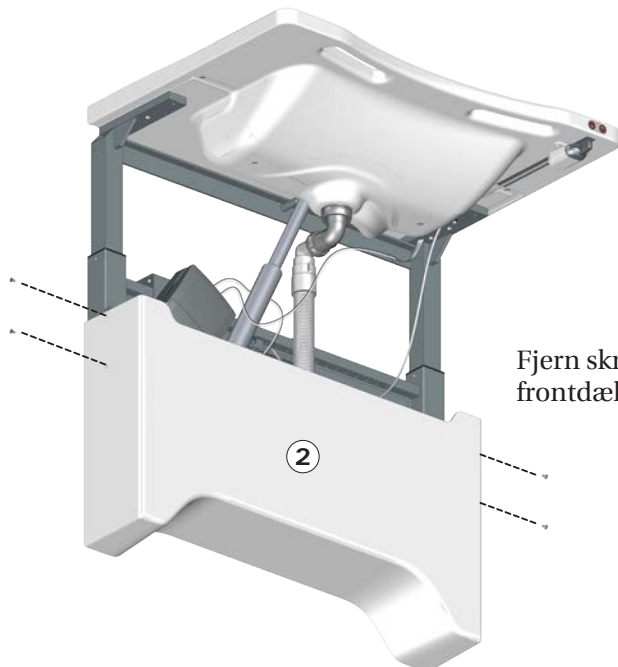
**For R482219, R482719, R485019, R485219, R485519, R485719**

Flyt vasken til dens højeste position.

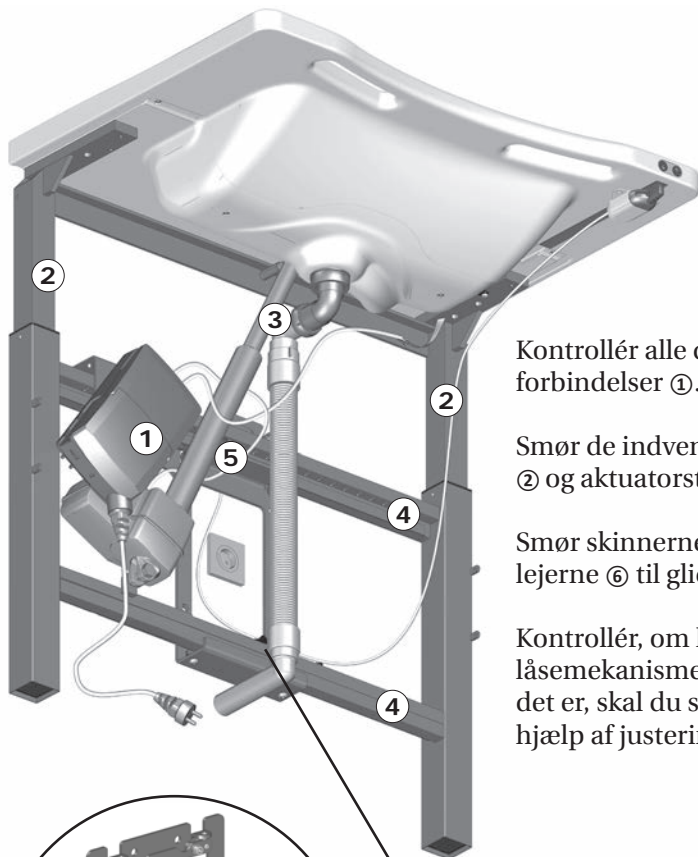


Fjern skruerne og det øverste frontdæksel ①.

dk



Fjern skruerne og det nederste frontdæksel ②.

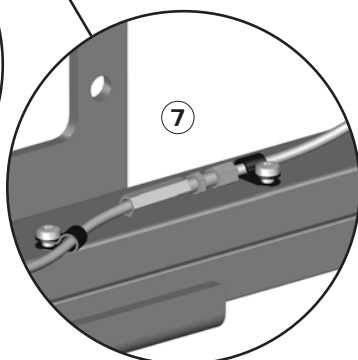
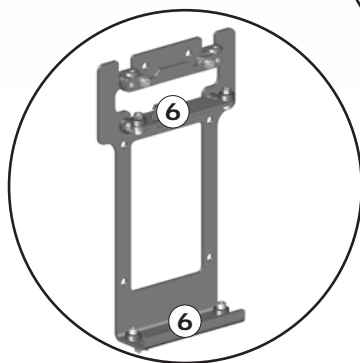


Kontrollér alle de elektriske forbindelser ①.

Smør de indvendige firkantede rør ② og aktuatorstangen ③.

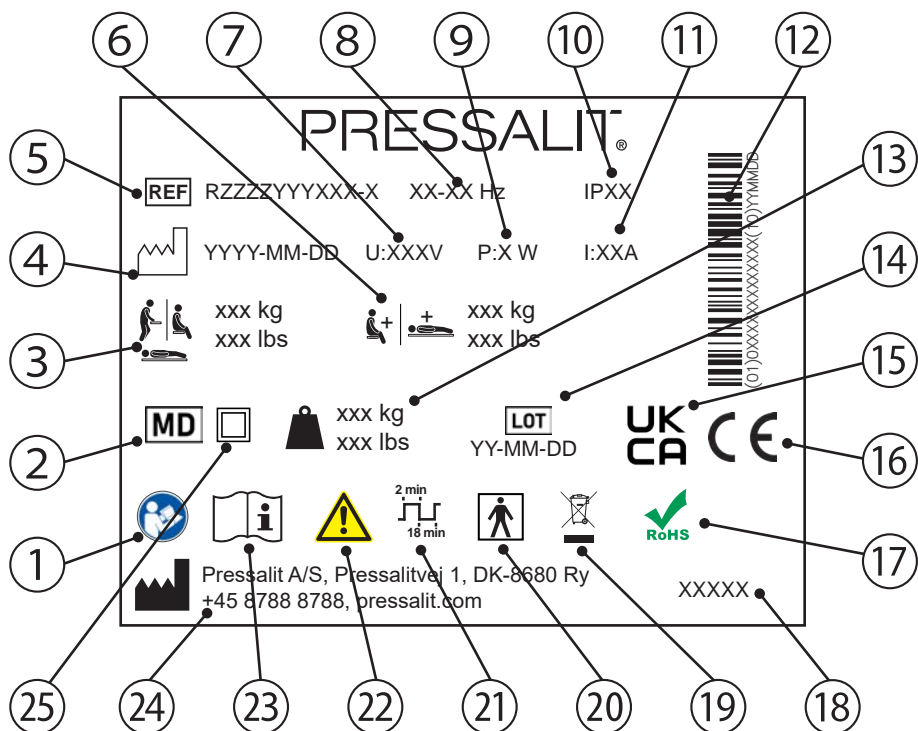
Smør skinnerne ④, låsen ⑤ og lejerne ⑥ til glidemekanismen.

Kontrollér, om kablet til låsemekanismen er for løst. Hvis det er, skal du stramme det ved hjælp af justeringskruen ⑦.



Sæt front- og topdækslet på igen, og gentilslut netstrømsforsyningen. Sænk håndvasken til dens laveste position, og kød den derefter til den øverste position igen for at fordele smøremidlet. Skub ligeledes håndvaskeløfteren til yderste venstre og højre position.

# Produktmærkning



dk

- 1 Se brugsvejledningen
- 2 Medicinsk udstyr
- 3 Maks. brugervægt
- 4 Fremstillingsdato
- 5 Produktnummer
- 6 Maksimal belastning
- 7 Netspænding
- 8 Frekvens
- 9 Maks. strømforbrug

⑩ IP-klasse

---

⑪ Strømstyrke

---

⑫ GS1-128-stregkode

---

⑬ Produktvægt

---

⑭ Batchkode

---

⑮ UKCA-mærkning (UK Conformity Assessment)

---

Disse produkter er CE-mærket i henhold til de relevante krav i:

- Forordning (EU) 2017/745 (af 5. april 2017) om medicinsk udstyr.

⑯ • Rådets direktiv 2006/42/EF (af 17. maj 2006) om maskiner.

- Rådets direktiv 2011/65/EF (af 8. juni 2011) om RoHS.

Der findes en overensstemmelseserklæring på [pressalit.com](http://pressalit.com)

---

⑰ Dette produkt indeholder ikke nogen af de farlige stoffer, der er nævnt i Rådets direktiv 2011/65/EF om RoHS.

---

⑱ Produktnavn (hvis det findes)

---

⑲ Må ikke bortskaffes som usorteret husholdningsaffald. Produktet skal indsamles særskilt og afleveres på den relevante genbrugsstation.

---

⑳ Type B anvendt del. Dele af produktet vil under normal anvendelse nødvendigvis komme i fysisk kontakt med patienten. Produktet opfylder kravene i IEC 60601-1 for at beskytte mod elektrisk stød.

---

㉑ Driftscyklus

---

㉒ Se vigtige advarende oplysninger, som f.eks. advarsler og sikkerhedsforanstaltninger, i vejledningen.

---

㉓ Se brugsvejledningen

---

㉔ Fabrikantens navn og adresse

---

㉕ Dobbeltisoleret elektrisk apparat

---

## Fejlfinding

Symptom	Årsag	Handling
Betjeningsknapperne virker ikke.	Fejl i strømfor- syningen.	Kontrollér, at alle ledninger og stik er intakte og korrekt tilsluttet. Kontakt Pressalit A/S eller din lokale forhandler.
Produktet kører ujævnt op og ned.	De indvendige firkantede rør er ikke smurt tilstrækkeligt.	Smør de indvendige firkantede rør som beskrevet under "Vedligeholdelse".
Produktet kan ikke flyttes sidelæns.	Slanger eller kabler kan sidde fast.	Fjern dækslet eller dækslerne, og kontrollér om noget sidder fast.
	Låsemekanismen kan sidde fast.	Kontrollér låsen og kablet som beskrevet under "Vedligeholdelse".
Sikkerhedssystemet virker ikke.	Defekte kontakter.	Kontrollér, om en eller flere af sikkerhedssystemets kontakter sidder fast. Hvis dette er tilfældet, skal du forsøge at løsne dem. Hvis problemet ikke kan løses, skal kontakten/kontakterne udskiftes. Sikkerhedssystemet fungerer kun, når der kan detekteres strøm. Husk at nulstille som beskrevet under "Nulstilling af håndvaskeløfteren".

Kontakt Pressalit eller din forhandler, hvis problemet ikke kan løses. Forsøg ikke selv at reparere produktet, da dette vil ugyldiggøre garantien.

# Elektromagnetisk kompatibilitet

Enheden er egnet til brug i hjemmet, i daginstitutioner, på daginstitutioner for personer med fysiske eller mentale vanskeligheder eller på hospitaler undtagen i nærheden af aktivt HF-kirurgisk udstyr og i RF-afskærmede rum med medicinske systemer til MR-scanning med elektromagnetiske forstyrrelser af høj intensitet.

Enheden har ikke nogen funktioner, der er relateret til den grundlæggende sikkerhed eller væsentlige ydeevne. Hvis ydeevnen forringes på grund af elektromagnetiske forstyrrelser, forbliver brugerens sikkerhed upåvirket.


Kabel	Længde
Strømkabel	3,2 m
Spiralkabel til fjernbetjening	Ca. 5 m udstrakt




- Brug af tilbehør, transducere og kabler af andre mærker end dem, der er specificeret eller leveret af producenten, kan medføre øgede elektromagnetiske emissioner eller reduceret elektromagnetisk immunitet i dette udstyr og medføre forkert funktion.
- Bærbart RF-kommunikationsudstyr (herunder perifert udstyr som f.eks. antennekabler og eksterne antenner) må ikke bruges tættere på end 30 cm fra enhver del af enheden, herunder kabler, for at undgå en eventuel forringelse af denne enheds ydeevne.
- Brug af dette udstyr i nærheden af eller stablet oven på andet udstyr skal undgås, da det kan medføre forkert funktion. Hvis en sådan brug er nødvendigt, skal dette udstyr og det andet udstyr observeres for at bekræfte, at det fungerer normalt.



## Elektromagnetisk immunitet

<b>Elektrostatisk afladning</b>	
	Produktet må ikke udsættes for elektrisk afladning mellem en person og produktet på en sådan måde, at det kræver indgriben eller medfører defekter på komponenter.
<b>Teststandard</b>	<b>Niveau af immunitetstest</b>
EN 61000-4-2	+/- 8 kV-kontakt +/- 2, 4, 8, 15 kV luft

<b>Udstrålet RF-elektromagnetisk felt</b>	
	Produktet må ikke udsættes for udstrålende RF-signaler, f.eks. fra en mobiltelefon eller radio, som kan få produktet til at påbegynde handlinger eller medføre defekter på komponenter.
<b>Teststandard</b>	<b>Niveau af immunitetstest</b>
EN 61000-4-3	15 V/m 80 MHz til 1000 MHz 15 V/m 1,01 GHz til 6 GHz 80 % AM 1 kHz

## Immunitet over for proksimitetsfelter fra trådløst RF-kommunikationsudstyr



Produktet må ikke udsættes for udstrålende RF-signaler, f.eks. fra en mobiltelefon eller radio, som kan få produktet til at påbegynde handlinger eller medføre defekter på komponenter.


### Test-standard

### Niveau af immunitetstest


EN 61000-4-3\*

385 MHz, 27 V/m, 18 Hz PM (firkantimpuls på 50 % for driftscyklus)  
450 MHz, 28 V/m, FM +/- 5 kHz afvigelse, 1 kHz sine  
710 MHz, 9 V/m, 217 Hz PM (firkantimpuls på 50 % for driftscyklus)  
745 MHz, 9 V/m, 217 Hz PM (firkantimpuls på 50 % for driftscyklus)  
780 MHz, 9 V/m, 217 Hz PM (firkantimpuls på 50 % for driftscyklus)  
810 MHz, 28 V/m, 18 Hz PM (firkantimpuls på 50 % for driftscyklus)  
870 MHz, 28 V/m, 18 Hz PM (firkantimpuls på 50 % for driftscyklus)  
930 MHz, 28 V/m, 18 Hz PM (firkantimpuls på 50 % for driftscyklus)  
1720 MHz, 28 V/m, 217 Hz PM (firkantimpuls på 50 % for driftscyklus)  
1845 MHz, 28 V/m, 217 Hz PM (firkantimpuls på 50 % for driftscyklus)  
1970 MHz, 28 V/m, 217 Hz PM (firkantimpuls på 50 % for driftscyklus)  
2450 MHz, 28 V/m, 217 Hz PM (firkantimpuls på 50 % for driftscyklus)  
5240 MHz, 9 V/m, 217 Hz PM (firkantimpuls på 50 % for driftscyklus)  
5500 MHz, 9 V/m, 217 Hz PM (firkantimpuls på 50 % for driftscyklus)  
5785 MHz, 9 V/m, 217 Hz PM (firkantimpuls på 50 % for driftscyklus)

### Hurtig elektrisk overspænding/strømstød

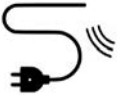
	Produktet må ikke udsættes for hurtige impulssignaler gennem ledningen. Dette kan medføre defekter på komponenterne, eller produktet kan påbegynde nogle handlinger.
<b>Test-standard</b>	<b>Niveau af immunitetstest</b>
EN 61000-4-4	+/- 1 kV, +/- 2 kV 100 kHz repetitionsfrekvens


### Overspændingsimmunitet

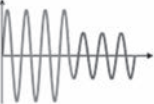
	Produktet må ikke påvirkes til at starte handlinger eller gøre komponenter defekte i tilfælde af lyn.
<b>Test-standard</b>	<b>Niveau af immunitetstest</b>
EN 61000-4-5	Fase-til-fase: +/- 0,5 kV, +/- 1 kV Fase-til-jord: +/- 0,5 kV, +/- 1 kV, +/- 2 kV (N/A)

dk


### Immunitet over for ledningsbårne forstyrrelser induceret af radiofrekvente felter

	Ledningerne må ikke udsættes for andre radiofrekvente felter, som kan starte handlinger eller medføre defekter på komponenter.
<b>Test-standard</b>	<b>Niveau af immunitetstest</b>
EN 61000-4-6	3 V (6 V i ISM-bånd og amatørradiobånd) 0,15 til 80 MHz, 80 % AM ved 1 kHz


<b>Immunitet over for magnetiske felter med netfrekvens</b>	
	Produktet må ikke påvirkes til at starte handlinger eller gøre komponenter defekte i tilfælde af magnetiske felter.
<b>Test-standard</b>	
EN 61000-4-8	30 A/m, 60 Hz


<b>Spændingsdyk</b>	
	Produktet må ikke starte eller begrænse handlinger som et resultat af et spændingsdyk i strømforsyningen.
<b>Test-standard</b>	<b>Niveau af immunitetstest</b>
EN 61000-4-11	0 % $U_T$ ; 0,5 cyklus ved 0°, 45°, 90°, 135°, 180°, 225°, 270° og 315° 0 % $U_T$ ; 1 cyklus ved 0° 70 % $U_T$ ; 25 cyklusser ved 0° Enfase ved 0°


dk


<b>Spændingsforstyrrelser</b>	
	Produktet må ikke starte eller begrænse handlinger som et resultat af en kortvarig strømafbrydelse.
<b>Test-standard</b>	<b>Niveau af immunitetstest</b>
EN 61000-4-11	0 % $U_T$ ; 300 cyklusser

## Elektromagnetisk emission

<b>Ledningsbåren RF-emission</b>	
	Produktet må ikke udsende for meget støj til nettet. Dette kan medføre forstyrrelse af andre produkter.
<b>Teststandard</b>	<b>Emissionstestklasse og -gruppe</b>
EN 55011	Klasse B, gruppe 1

<b>Udstrålet RF-emission</b>	
	Produktet må ikke udsende RF-signaler i lokalet. Dette kan medføre forstyrrelse af andre produkter.
<b>Teststandard</b>	<b>Emissionstestklasse og -gruppe</b>
EN 55011	Klasse B, gruppe 1

<b>Harmoniske strømmissioner</b>	
	Produktet må ikke utilsigtet trække strøm fra nettet.
<b>Teststandard</b>	<b>Emissionstestklasse og -gruppe</b>
IEC 61000-3-2	Klasse A

<b>Spændingsændringer, spændingsudsving og støj</b>	
	Produktet må ikke påvirke andre produkter, når det er tilsluttet nettet. Dette kan f.eks. være lamper, som begynder at blinke og derved generer personer i rummet.
<b>Teststandard</b>	<b>Emissionstestklasse og -gruppe</b>
EN 61000-3-3	Testet i henhold til standarden.

## Tekniske data

Materialer	Pulverlakeret rustfrit stål. Kunststof (PVC, polystyren, ABS).
IP-klasse	De elektriske dele har kapslingsgradsklassificeringen IPX6. Produktet må ikke nedsænkes i vand, men det er udviklet til at modstå kraftige vandstråler (12,5 mm dyse) fra en hvilken som helst retning.
Målt lydtrykniveau	48 dB

## Opbevaring og transport



- Temperaturen for transport og opbevaring af enheden skal være mellem -10 og 50 °C.
- Enheden skal altid transporteres i den originale emballage.
- Undgå at udsætte emballagen for stød og slag.
- Produktet må ikke bruges, hvis emballagen er brudt eller beskadiget.

## Bortskaffelse og genbrug

Produktet indeholder genbrugelige materialer. Der er ingen kendte farer eller risici forbundet med bortskaffelse af produktet. Alle komponenter kan bortskaffes efter at være blevet rengjort og desinficeret.

Ved bortskaffelse af produktet anbefales det, at det skilles ad og inddeles i forskellige affaldsgrupper til genbrug eller forbrænding.

Følgende tabel indeholder oplysninger om genbrug og håndtering af produktet.

<b>Genanvendelige komponenter</b>	<b>Materiale</b>
Stål	Stål kan genbruges ved hjælp af omsmeltnings og anvendes som sekundært materiale i produktionen af nyt stål.
Plastik	Brug plastiksorings- og genbrugssystemer, hvis de er tilgængelige i lokalområdet, og ellers har forbrænding af plastik den ekstra fordel, at det genererer energi, hvilket kan anvendes til f.eks. en kombination af varme- og kraftproduktion.
Elektronik	De elektroniske komponenter skal indsamles særskilt og afleveres på den relevante genbrugsstation.

dk

# Inhalt

Montageanleitung .....	65
Symbole in dieser Gebrauchsanweisung .....	66
Allgemeine Sicherheitshinweise .....	67
Sicherheitsabstand .....	68
Verwendungszweck .....	70
Vorgesehene Bediener .....	70
Vorgesehene Patienten .....	70
Betriebsbedingungen .....	70
Kontraindikationen .....	70
Bedienungsanleitung .....	71
Verstellung zur Seite .....	72
Sicherheitsleiste .....	73
Reset des Waschtisch-Lifters .....	73
Reinigung .....	74
Wartung .....	75
Wartungsinspektion .....	75
Typenschild .....	80
Fehlerbehebung .....	82
Elektromagnetische Verträglichkeit .....	83
Elektromagnetische Störfestigkeit .....	84
Elektromagnetische Emissionen .....	88
Technische Daten .....	89
Aufbewahrung und Transport .....	89
de Entsorgung und Wiederverwertung .....	90

## Montageanleitung



Dem Produkt ist eine Montageanleitung beigelegt. Diese kann auch von der Website [pressalitcare.com](http://pressalitcare.com) heruntergeladen werden.



# Symbole in dieser Gebrauchsanweisung

Die folgenden Symbole werden sowohl in dieser Gebrauchsanweisung als auch in der mit dem Produkt mitgelieferten Dokumentation verwendet.

 <b>WARNUNG</b>	<b>WARNUNG</b> weist auf zu vermeidende Gefahrensituationen hin, die zum Tod oder zu schwerwiegenden Verletzungen führen können.			
 <b>VORSICHT</b>	<b>VORSICHT</b> weist auf zu vermeidende Gefahrensituationen hin, die zu geringfügigen oder mittelschweren Verletzungen führen können. Es kann auch zur Warnung vor unsicheren Verfahren dienen.			
<b>WICHTIG</b>				<b>WICHTIG</b> weist auf wichtige Informationen zur Handhabung und Verwendung des Produkts hin.
<b>HINWEIS</b>				<b>HINWEIS</b> kennzeichnet Verfahren und Informationen, ohne dass Verletzungsgefahr besteht.
 <p>Warnung: Verletzungsgefahr für den Kopf</p>	 <p>Warnung: Verletzungsgefahr für die Hände</p>	 <p>Warnung: Verletzungsgefahr für die Genitalien</p>	 <p>Warnung: Verletzungsgefahr für die Füße</p>	
 <p>Warnung vor elektrischer Spannung</p>	 <p>Kompatible Produkte</p>	 <p>Artikelnummer/ Versionen</p>	 <p>Leistungsdaten</p>	
 <p>Gewichtangabe</p>	 <p>Max. Gewicht des Benutzers</p>			

de

# Allgemeine Sicherheitshinweise

## **WARNUNG**

- Lesen Sie vor Verwendung des Produkts die Gebrauchsanweisung vollständig durch. Bewahren Sie die Gebrauchsanweisung in der Nähe des Produkts auf.
- Befolgen Sie diese Gebrauchsanweisung, um schwerwiegende Verletzungen zu vermeiden.
- Verwenden und handhaben Sie dieses Produkt ausschließlich wie in dieser Gebrauchsanweisung beschrieben. Anderenfalls besteht Verletzungsgefahr für den Anwender oder die Gefahr von Schäden am Produkt.
- Stellen Sie sicher, dass alle Personen, die dieses Produkt und seine Komponenten installieren oder verwenden, über die notwendigen Informationen verfügen und Zugang zu dieser Gebrauchsanweisung haben.

## **VORSICHT**

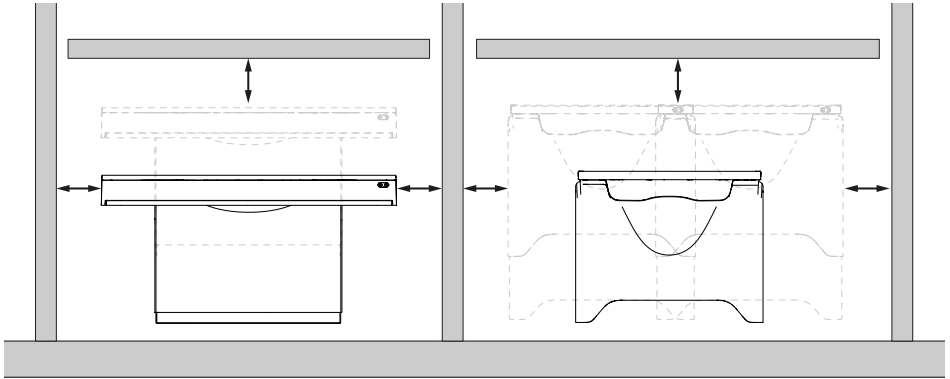
- Befolgen Sie diese Anweisungen, um Schäden am Produkt zu vermeiden.
- Nehmen Sie keine Reparaturen, Montagen, Erweiterungen, Anpassungen oder Veränderungen am Produkt vor und zerlegen Sie es nicht. Diese Arbeiten dürfen ausschließlich von Pressalit-Mitarbeitern oder von anderen, durch Pressalit autorisierten Personen durchgeführt werden.
- Lassen Sie niemals Kinder unbeaufsichtigt dieses Produkt bedienen. Das Produkt darf nicht als Spielzeug verwendet werden.
- Verwenden Sie das Produkt niemals, wenn es defekt oder beschädigt ist. Verwenden Sie ein defektes Produkt erst wieder, nachdem es repariert wurde.







## **HINWEIS**

- Die Informationen in dieser Gebrauchsanweisung setzen den korrekten Einbau des Produkts gemäß unserer Montageanweisung voraus.
- Pressalit haftet nicht, wenn das Produkt anders als in dieser Gebrauchsanweisung beschrieben verwendet wird.
- Änderungen vorbehalten.

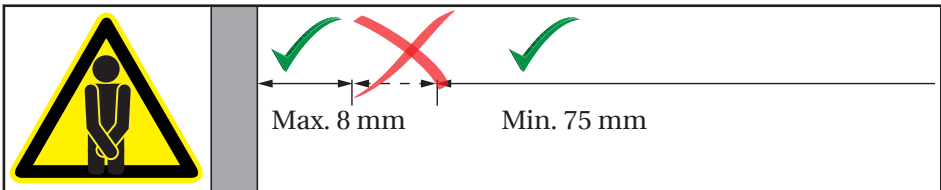
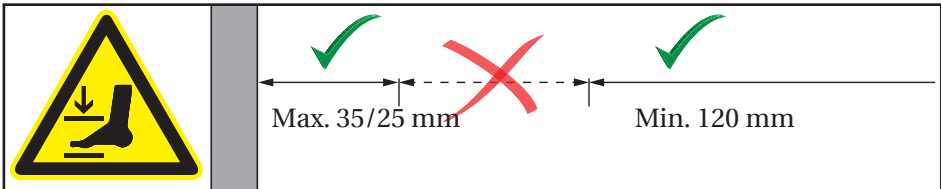
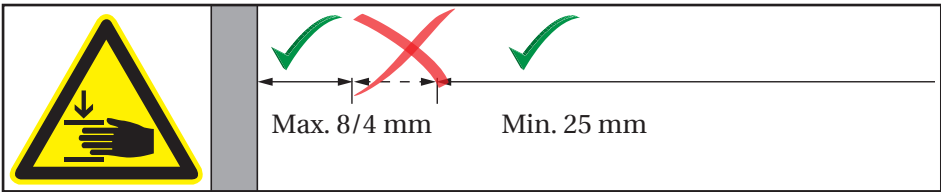
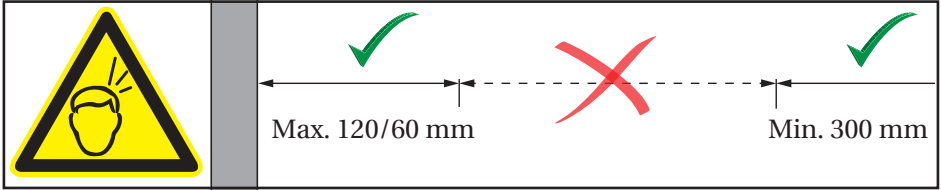
# Sicherheitsabstand

Stellen Sie sicher, dass sich der Waschtisch-Lifter in sicherem Abstand zu Gegenständen in der Umgebung befindet. Überprüfen Sie die Abstände vor Verwendung des Produkts.



ISO 17966:2016		
	Max. 120 mm Min. 300 mm	Max. 60 mm Min. 300 mm
	Max. 8 mm Min. 25 mm	Max. 4 mm Min. 25 mm
	Max. 35 mm Min. 120 mm	Max. 25 mm Min. 120 mm
	Max. 8 mm Min. 75 mm	Max. 8 mm Min. 75 mm

de



 **WARNUNG**

Während das Produkt innerhalb der Sicherheitsabstände hochgefahren und abgesenkt wird, muss zur Vermeidung von Quetschverletzungen auf Personen und Objekte in der Umgebung geachtet werden.

# Verwendungszweck

Dieses Produkt bietet Menschen mit Behinderung sowohl im Sitzen als auch im Stehen eine optimale Ergonomie für Waschtische.

## Vorgesehene Bediener

Das Produkt kann von Erwachsenen und Kindern jeden Alters benutzt werden.

## Vorgesehene Patienten

Das Produkt kann von Erwachsenen und Kindern jeden Alters benutzt werden.

## Betriebsbedingungen

Zum Gebrauch in Nassräumen wie Badezimmern oder Waschräumen. Das Produkt ist unter normalen Arbeitsbedingungen bei Raumtemperatur in Privathaushalten, Pflegeeinrichtungen und Krankenhäusern vorgesehen.

## Kontraindikationen

Personen, die in einer aufrecht stehenden Position das Gleichgewicht nicht halten können, dürfen diesen Waschtisch-Lifter nicht verwenden.

de



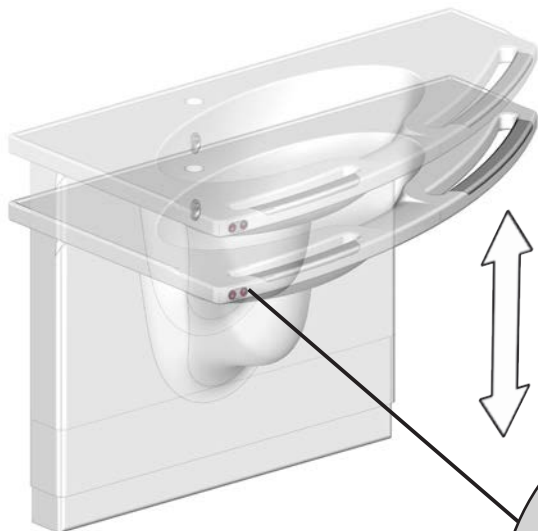
Die Oberfläche des Produkts kann sich stark erhitzen bzw. abkühlen, wenn sie externen Wärme- bzw. Kältequellen ausgesetzt ist (z. B. Sonne oder Frost).

## HINWEIS

Jeder schwerwiegende Vorfall, der im Zusammenhang mit dem Produkt aufgetreten ist, muss dem Hersteller und den Gesundheitsbehörden gemeldet werden.

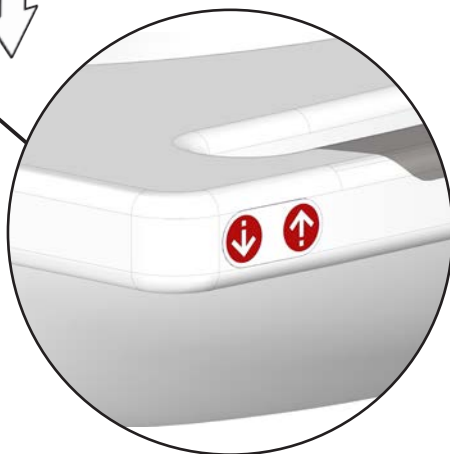
# Bedienungsanleitung

Die Waschtisch-Lifter-Modelle R4822, R4827, R4828, R4850, R4855, R4852, R4857, R4870 und R4875 können um 200 mm nach oben und unten verstellt werden.



**Die maximale Belastbarkeit beträgt 150 kg.**

Die Höhenverstellung wird über Bedientasten am vorderen Rand des Waschtisches geregelt.



de

Halten Sie zum Hochfahren des Waschtisches die Taste „Auf“ und zum Absenken die Taste „Ab“ gedrückt. Wenn Sie die Taste loslassen, wird die Aufwärts- bzw. Abwärtsbewegung angehalten.



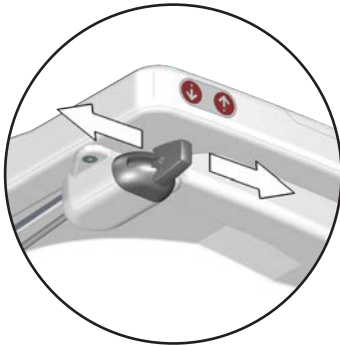
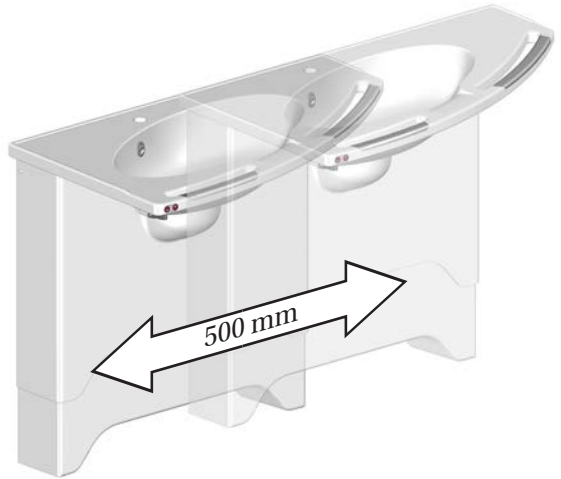
**Gehen Sie in der Nähe beweglicher mechanischer Teile umsichtig vor, da hier die Gefahr von Verletzungen der Hände besteht.**

**VORSICHT**

Stellen Sie auf keinen Fall Gegenstände unter den Waschtisch.

## Verstellung zur Seite

Die Waschtisch-Lifter-Modelle R482219, R482719, R485019, R485519, R485219 und R485719 können um 300 mm nach oben und unten sowie um insgesamt 500 mm nach links und rechts verstellt werden.



**Die maximale Belastbarkeit beträgt 150 kg.**

Entriegeln Sie den Schiebemechanismus, indem Sie den Griff zur Seitenverstellung nach links oder rechts gedrückt halten.

Schieben Sie den Waschtisch-Lifter an den Griffen des Waschtisches nach links oder rechts. Der Lifter lässt sich leicht verschieben, so dass Sie nicht viel Kraft aufwenden müssen.

de

Wenn sich der Waschtisch-Lifter in der gewünschten Position befindet, lassen Sie den Griff zur Seitenverstellung los. Der Lifter rastet hörbar ein.

### **VORSICHT**

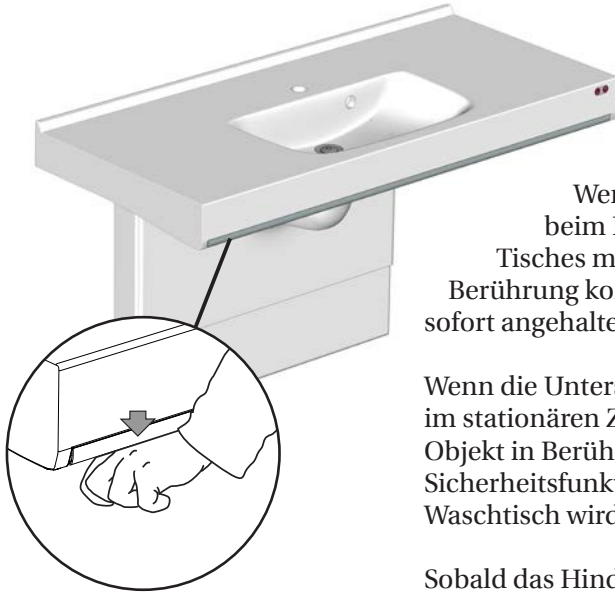
Stellen Sie stets sicher, dass der Verriegelungsmechanismus ordnungsgemäß eingerastet ist, bevor Sie den Waschtisch verwenden oder in der Höhe verstellen. Schieben Sie den Waschtisch-Lifter dazu ein wenig nach rechts oder links, bis ein Klickgeräusch zu hören ist.



**Achten Sie beim Verschieben des Waschtisch-Lifters zur Seite darauf, dass Sie sich nicht die Füße verletzen!**

# Sicherheitsleiste

Die Modelle **R4870** und **R4875** der Waschtisch-Lifter sind mit einer Sicherheitsleiste ausgestattet.



Wenn die Sicherheitsleiste beim Herunterfahren des Tisches mit einem Objekt in Berührung kommt, wird der Tisch sofort angehalten.

Wenn die Unterseite des Waschtisches im stationären Zustand mit einem Objekt in Berührung kommt, wird die Sicherheitsfunktion aktiviert und der Waschtisch wird angehoben.

Sobald das Hindernis entfernt wurde, kann der Waschtisch-Lifter wieder verwendet werden.

de

## Reset des Waschtisch-Lifters

Wenn der Waschtisch-Lifter klemmt, sollte ein Reset durchgeführt werden.

- ① Stellen Sie sicher, dass die Sicherheitsleiste nicht aktiviert wird. Senken Sie den Waschtisch-Lifter bis ganz nach unten in die Ausgangsposition ab.
- ② Lassen Sie die Absenktaste los und drücken Sie sie nach 3–4 Sek. erneut, bis Sie nach ca. 10 Sek. ein leichtes Klickgeräusch hören.
- ③ Lassen Sie die Absenktaste los und fahren Sie den Waschtisch-Lifter in die höchste Position. Ein weiteres Klickgeräusch ist zu hören.
- ④ Senken Sie den Waschtisch-Lifter um einige Zentimeter ab.
- ⑤ Fahren Sie ihn erneut in die höchste Position. Ein weiteres Klickgeräusch ist zu hören. Der Reset des Waschtisch-Lifters ist hiermit abgeschlossen. Auch nach einem Stromausfall sollte ein Reset des Waschtisch-Lifters durchgeführt werden.



# Reinigung

Das Produkt kann mit heißem Wasser oder einem milden Reinigungsmittel gereinigt werden.

Um nachzulesen, welche Reinigungsprodukte für dieses Produkt von Pressalit getestet und freigegeben wurden, besuchen Sie die Website [pressalit.com](http://pressalit.com) und suchen Sie nach der Artikelnummer des Produkts.

Pressalit empfiehlt, das Produkt nach der Installation zu reinigen.



Lesen Sie immer das Material Sicherheitsdatenblatt und die Gebrauchsanweisung des verwendeten Reinigungsmittels, Desinfektionsmittels oder Entkalkers, und befolgen Sie die Anweisungen zu sicherem Gebrauch, Verdünnung, Abspülen, Trocknen, Handhabung und Lagerung.

## WICHTIG

- Verwenden Sie keinen Autoklaven oder eine andere Art von Dampfreiniger.
- Verwenden Sie keine aggressiven, säurehaltigen Reinigungsmittel.
- Richten Sie niemals einen Hochdruckreiniger direkt auf das Produkt.
- Zur Desinfektion der Oberflächen können chlorbasierte Desinfektionsmittel verwendet werden. Beachten Sie dabei die Produktspezifikationen und Sicherheitshinweise des Produkts.

de

# Wartung

Die erwartete Nutzungsdauer des Waschtisch-Lifters beträgt 10 Jahre, wenn er wie nachstehend beschrieben gewartet wird.

Es wird empfohlen, die Motoren einmal pro Woche in die Extrempositionen zu bringen, damit die internen Bauteile geschmiert werden. Hierzu das Produkt auf die maximale Höhe hochfahren und dann auf die niedrigste Höhe herunterfahren.

Es wird empfohlen, einmal im Jahr eine Wartungsinspektion durchzuführen.

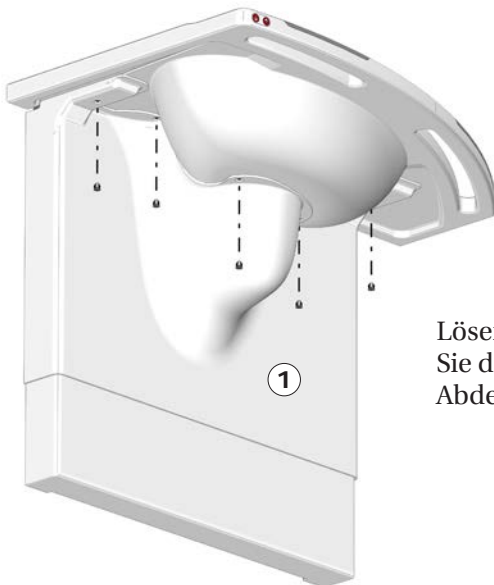
## Wartungsinspektion

Bringen Sie den Waschtisch in die höchstmögliche Position.

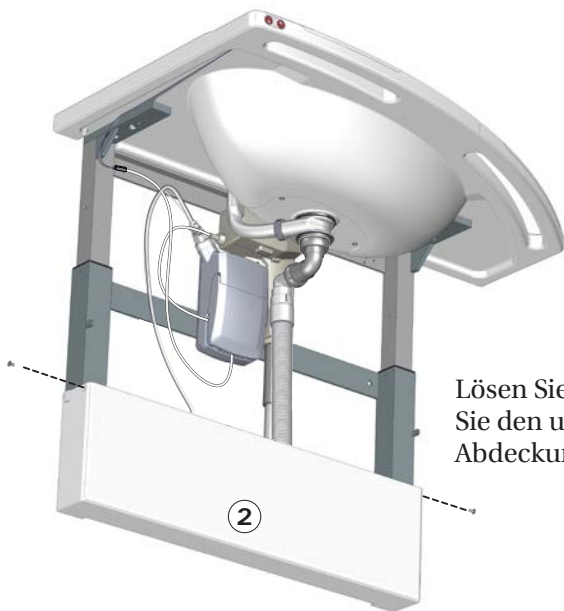
**Für die Modelle R4822, R4827, R4828, R4850, R4855, R4852 und R4857**



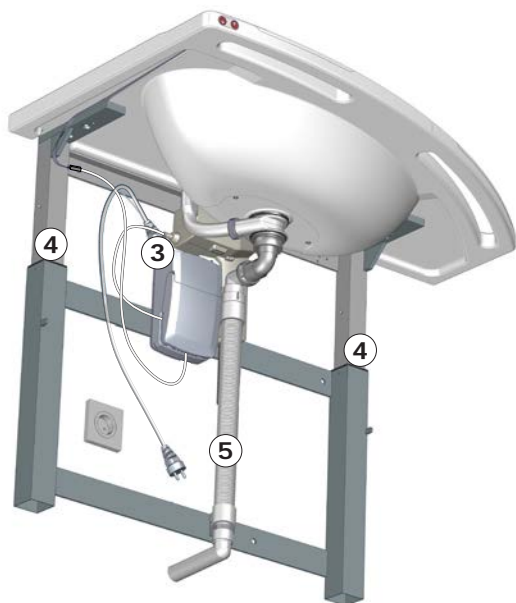
**Ziehen Sie den Netzstecker, bevor Sie die Abdeckungen abnehmen.**



Lösen Sie die Schrauben und nehmen Sie den oberen Teil der vorderen Abdeckung ① ab.



Lösen Sie die Schrauben und nehmen Sie den unteren Teil der vorderen Abdeckung ② ab.



Überprüfen Sie alle elektrischen Anschlüsse ③.

de

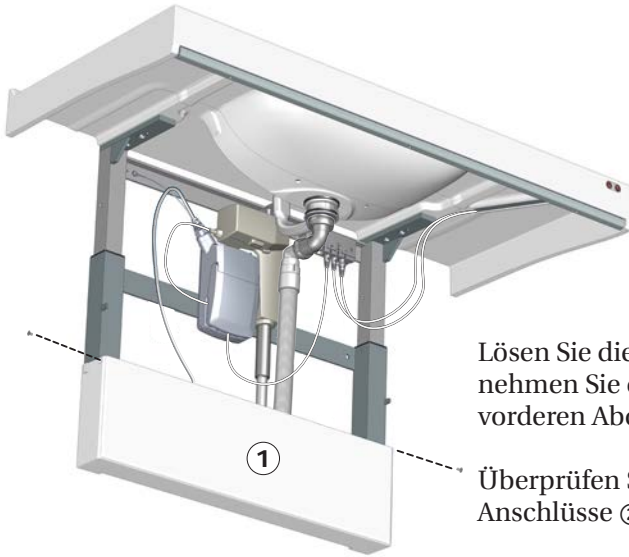
Schmieren Sie die innen liegenden viereckigen Rohre ④ und die Antriebsstange ⑤.

Bringen Sie beide Teile der Abdeckung wieder an.

Schließen Sie den Netzstecker wieder an.

Senken Sie den Waschtisch in die niedrigste Position ab und bringen Sie ihn anschließend in die höchste Position, um das Schmiermittel zu verteilen.

## Für die Modelle R4870 und 4875

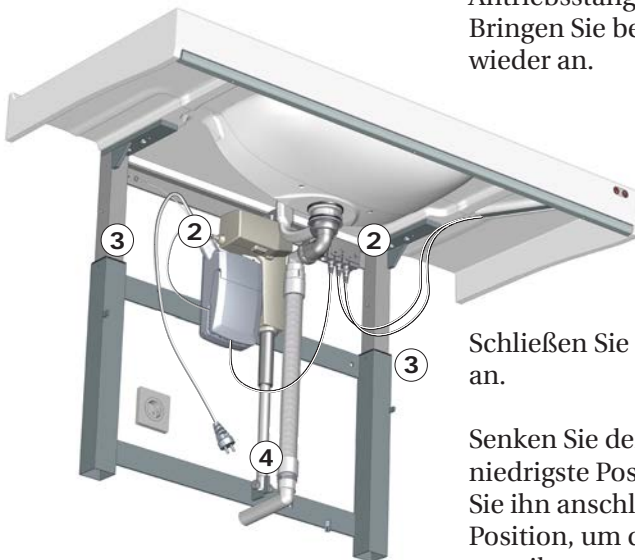


Lösen Sie die Schrauben und nehmen Sie den unteren Teil der vorderen Abdeckung ① ab.

Überprüfen Sie alle elektrischen Anschlüsse ②.

Schmieren Sie die innen liegenden viereckigen Rohre ③ und die Antriebsstange ④.

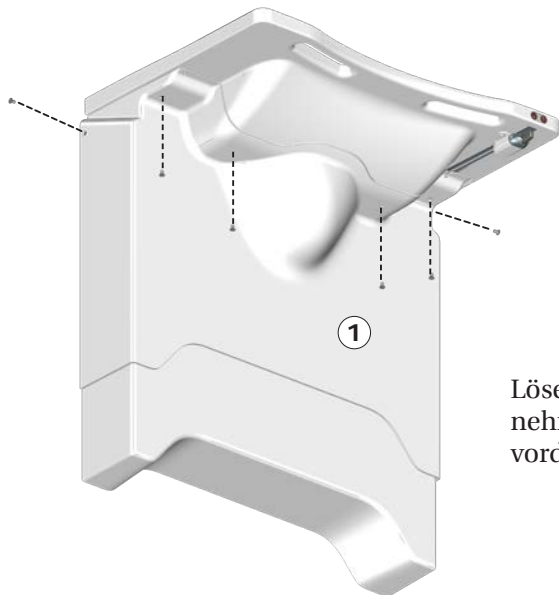
Bringen Sie beide Teile der Abdeckung wieder an.



Schließen Sie den Netzstecker wieder an.

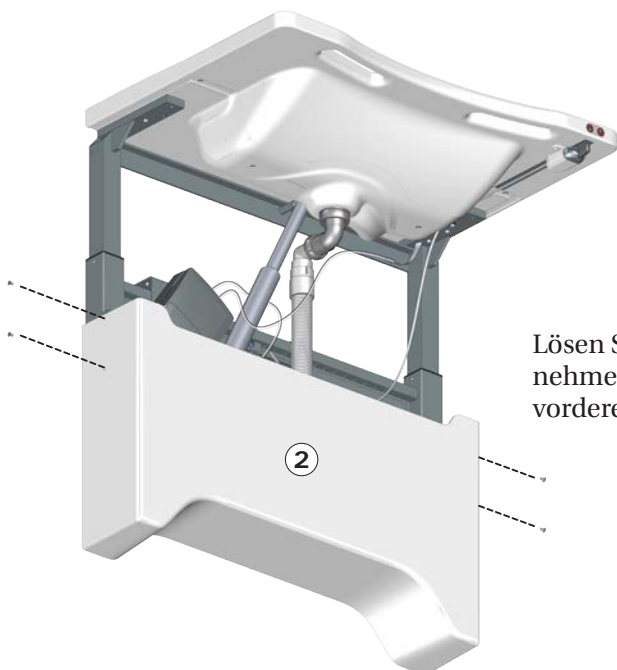
Senken Sie den Waschtisch in die niedrigste Position ab und bringen Sie ihn anschließend in die höchste Position, um das Schmiermittel zu verteilen.

**Für die Modelle R482219, R482719, R485019, R485219,  
R485519 und R485719**

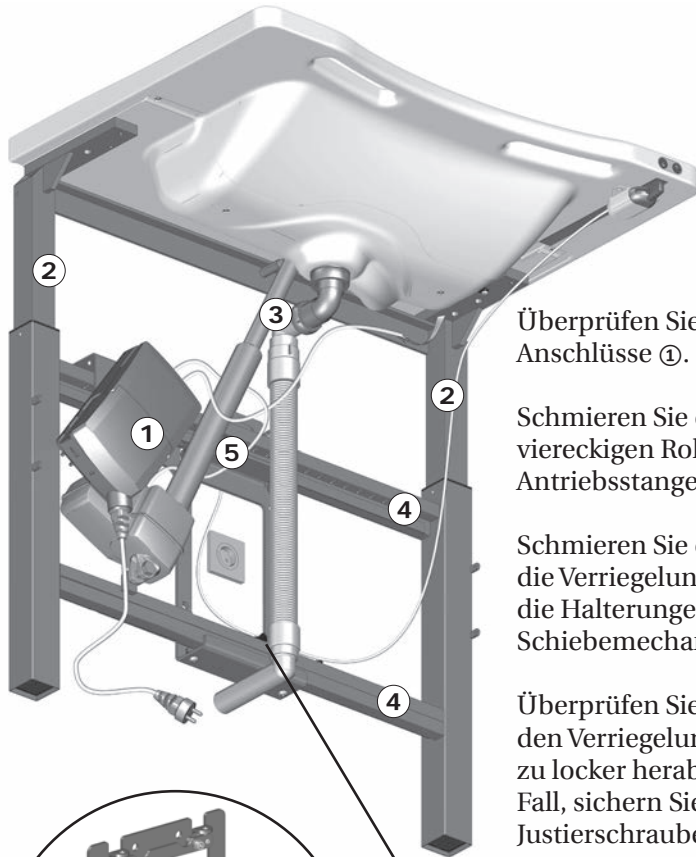


Bringen Sie den Waschtisch  
in die höchstmögliche  
Position.

Lösen Sie die Schrauben und  
nehmen Sie den oberen Teil der  
vorderen Abdeckung ① ab.



Lösen Sie die Schrauben und  
nehmen Sie den unteren Teil der  
vorderen Abdeckung ② ab.

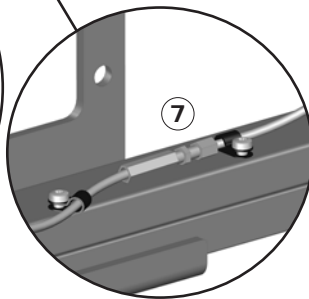
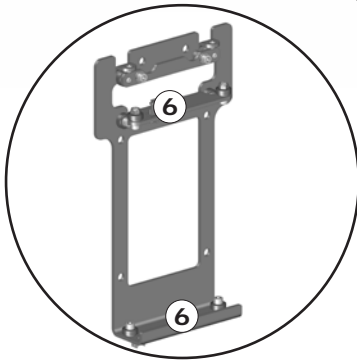


Überprüfen Sie alle elektrischen Anschlüsse ①.

Schmieren Sie die innen liegenden viereckigen Rohre ② und die Antriebsstange ③.

Schmieren Sie die Schienen ④, die Verriegelung ⑤ und die Halterungen ⑥ für den Schiebemechanismus.

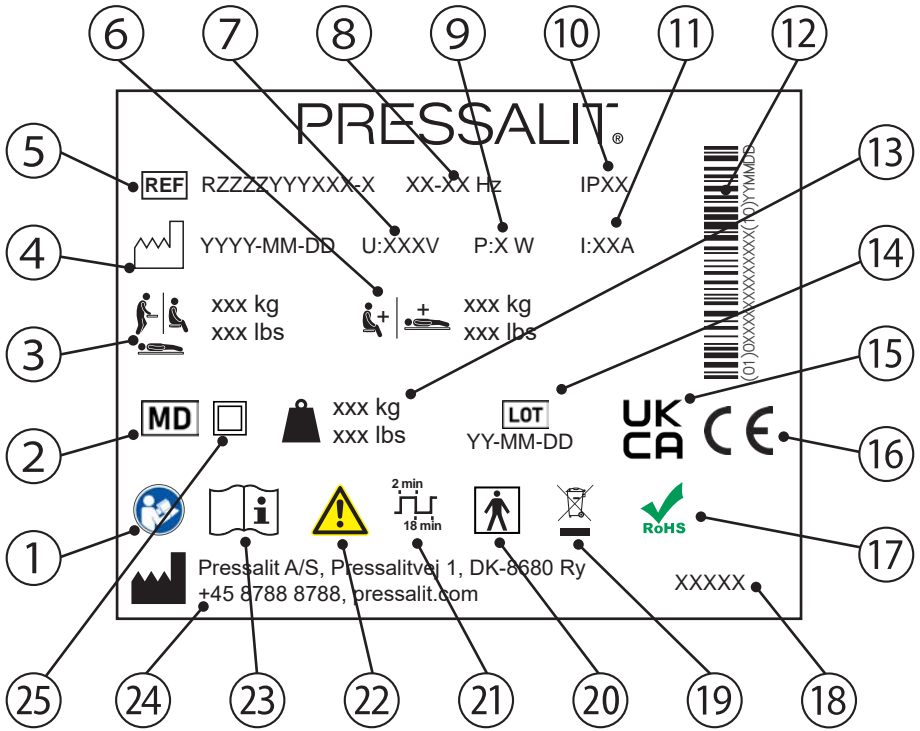
Überprüfen Sie, ob das Kabel für den Verriegelungsmechanismus zu locker herabhängt. Ist dies der Fall, sichern Sie es mit Hilfe der Justierschrauben ⑦.



Bringen Sie die vordere und die obere Abdeckung wieder an und schließen Sie den Netzstecker wieder an.

Senken Sie den Waschtisch in die niedrigste Position ab und bringen Sie ihn anschließend in die höchste Position, um das Schmiermittel zu verteilen. Schieben Sie nun den Waschtisch-Lifter auch einmal ganz nach links und einmal ganz nach rechts.

# Typenschild



- ① Gebrauchsanweisung beachten.

---

- ② Medizinprodukt

---

- ③ Maximales Gewicht des Benutzers

---

- ④ Herstellungsdatum

---

- ⑤ Artikelnummer

---

- ⑥ Maximale Belastbarkeit

---

- ⑦ Netzspannung

---

- ⑧ Frequenz

---

- ⑨ Maximale Leistungsaufnahme

de

⑩ IP-Klasse

---

⑪ Elektrischer Strom

---

⑫ GS1-128-Barcode

---

⑬ Gewichtangabe

---

⑭ Chargennummer

---

⑮ UKCA-Kennzeichnung (UK Conformity Assessed)

---

Diese Produkte tragen das CE-Zeichen und erfüllen alle relevanten Anforderungen gemäß:

- Verordnung (EU) 2017/745 (vom 5. April 2017) über Medizinprodukte

⑯

- Richtlinie 2006/42/EG des Rates (vom 17. Mai 2006) für Maschinen

- Richtlinie 2011/65/EG des Rates (vom 8. Juni 2011) zu RoHS (engl. Restriction of Hazardous Substances, Beschränkung gefährlicher Stoffe)

Eine Konformitätserklärung kann unter [pressalit.com](http://pressalit.com) eingesehen werden.

---

⑰

Dieses Produkt enthält keinen der in der Richtlinie 2011/65/EG des Rates zu RoHS genannten Gefahrstoffe.

---

⑱

Produktname (sofern vorhanden)

---

⑲

Nicht im Hausmüll entsorgen. Das Produkt muss separat entsorgt und der entsprechenden Wiederverwertung zugeführt werden.

---

Teil mit Patientenkontakt, Typ BF. Ein Teil des Produkts kommt bei normalem Gebrauch notwendigerweise in physischen Kontakt mit dem Patienten, um seine vorgesehene Funktion zu erfüllen. Das Gerät entspricht den Anforderungen der IEC 60601-1 zum Schutz vor elektrischem Schlag.

---

⑳

Betriebszyklus

---

㉑

Wichtige Sicherheitshinweise und Vorsichtsmaßnahmen in der Gebrauchsanweisung beachten.

---

㉒

Gebrauchsanweisung beachten.

---

㉓

Name und Anschrift des Herstellers

---

㉔

Doppelt isoliertes elektrisches Gerät

---



# Fehlerbehebung

Problem	Ursache	Abhilfe
Die Bedientasten funktionieren nicht.	Defekt in der Stromversorgung.	Überprüfen Sie, ob alle Kabel und Stecker intakt und richtig angeschlossen sind. Wenden Sie sich an Pressalit A/S oder Ihren Händler vor Ort.
Das Produkt ruckelt bei der Auf- und Abwärtsbewegung.	Die innen liegenden viereckigen Rohre sind nicht richtig geschmiert.	Schmieren Sie diese wie unter „Wartung“ beschrieben.
Das Produkt kann nicht seitwärts verschoben werden.	Möglicherweise sind Schläuche oder Kabel eingeklemmt.	Nehmen Sie die Abdeckung(en) ab und überprüfen Sie, ob Komponenten eingeklemmt sind.
	Möglicherweise klemmt der Verriegelungsmechanismus.	Überprüfen Sie die Verriegelung und das Kabel wie unter „Wartung“ beschrieben.
Das Sicherheitssystem funktioniert nicht.	Defekte Schalter.	Überprüfen Sie, ob einer oder mehrere Kontakte des Sicherheitssystems klemmen. Wenn ja, versuchen Sie, sie zu lösen. Wenn das Problem nicht behoben werden kann, tauschen Sie die betroffenen Kontakte aus. Das Sicherheitssystem funktioniert nur, wenn Strom fließt. Denken Sie daran, dass ein Reset durchgeführt werden muss, wie unter „Reset des Waschtisch-Lifters“ beschrieben.

Falls sich das Problem nicht beheben lässt, wenden Sie sich an Pressalit oder Ihren Händler. Versuchen Sie nicht, das Produkt selbst zu reparieren, da hierdurch die Garantie erlischt.

# Elektromagnetische Verträglichkeit

Das Gerät ist für die Verwendung zu Hause, in Kindertagesstätten, in Tagesstätten für Menschen mit körperlichen oder geistigen Behinderungen oder in Krankenhäusern geeignet, nicht aber in der Nähe aktiver chirurgischer HF-Geräte und HF-abgeschirmter Räume mit medizinischen Systemen für die Magnetresonanztomografie mit hoher elektromagnetischer Störintensität.


Das Gerät hat keine Funktion zur Überprüfung der grundlegenden Sicherheit oder Leistung. Im Falle eines Leistungsverlustes oder einer Beeinträchtigung durch elektromagnetische Störungen bleibt die Sicherheit des Benutzers uneingeschränkt gewährleistet.


Kabel	Länge
Stromkabel	3,2 m
Spiralkabel Fernbedienung	bis zu ca. 5 m



- Die Verwendung von Zubehör, Messwandlern und Kabeln, die nicht vom Hersteller empfohlen oder bereitgestellt wurden, kann zu erhöhten elektromagnetischen Emissionen oder einer verringerten elektromagnetischen Störfestigkeit dieses Geräts führen und Fehlfunktionen zur Folge haben.
- Tragbare HF-Kommunikationsgeräte (einschließlich Peripheriegeräte wie Antennenkabel und externe Antennen) müssen in einem Abstand von mindestens 30 cm zum Gerät (auch zu den Kabeln) verwendet werden, damit das Gerät nicht in seiner Leistung beeinträchtigt wird.
- Die Verwendung dieses Geräts neben oder auf anderen Geräten ist nicht zulässig, da dies der bestimmungsgemäßen Verwendung widerspricht. Ist eine solche Verwendung dennoch erforderlich, muss die ordnungsgemäße Funktion aller involvierten Geräte sorgfältig überwacht werden.

# Elektromagnetische Störfestigkeit

<b>Elektrostatische Entladung</b>	
	<p>Elektrische Entladungen zwischen Mensch und Produkt dürfen das Gerät nicht in einer Weise beeinflussen, dass Aktionen ausgelöst werden oder Produktkomponenten Schaden nehmen.</p>
<b>Teststandard</b>	<b>Prüfung der Störfestigkeit</b>
EN 61000-4-2	<p>+/- 8 kV (Kontakt)                      +/- 2, 4, 8, 15 kV (Luft)</p>

<b>Elektromagnetisches HF-Strahlungsfeld</b>	
	<p>Das Produkt darf nicht ausstrahlenden HF-Signalen (z. B. von Mobiltelefonen oder Radios) ausgesetzt werden, die bestimmte Aktionen des Produkts auslösen oder Schäden an bestimmten Produktkomponenten verursachen können.</p>
<b>Teststandard</b>	<b>Prüfung der Störfestigkeit</b>
EN 61000-4-3	<p>15 V/m 80 MHz bis 1000 MHz                      15 V/m 1,01 GHz bis 6 GHz                      80 % AM 1 kHz</p>

**Störfestigkeit gegenüber HF-Feldern von in der Nähe befindlichen drahtlosen Kommunikationsgeräten**



Das Produkt darf nicht ausstrahlenden HF-Signalen (z. B. von Mobiltelefonen oder Radios) ausgesetzt werden, die bestimmte Aktionen des Produkts auslösen oder Schäden an bestimmten Produktkomponenten verursachen können.


**Teststandard**

**Prüfung der Störfestigkeit**


EN 61000-4-3\*

- 385 MHz, 27 V/m, 18 Hz PM (50 % Betriebszyklus, Rechteckwelle)
- 450 MHz, 28 V/m, FM +/- 5 kHz Abweichung, 1 kHz Sinus
- 710 MHz, 9 V/m, 217 Hz PM (50 % Betriebszyklus, Rechteckwelle)
- 745 MHz, 9 V/m, 217 Hz PM (50 % Betriebszyklus, Rechteckwelle)
- 780 MHz, 9 V/m, 217 Hz PM (50 % Betriebszyklus, Rechteckwelle)
- 810 MHz, 28 V/m, 18 Hz PM (50 % Betriebszyklus, Rechteckwelle)
- 870 MHz, 28 V/m, 18 Hz PM (50 % Betriebszyklus, Rechteckwelle)
- 930 MHz, 28 V/m, 18 Hz PM (50 % Betriebszyklus, Rechteckwelle)
- 1720 MHz, 28 V/m, 217 Hz PM (50 % Betriebszyklus, Rechteckwelle)
- 1845 MHz, 28 V/m, 217 Hz PM (50 % Betriebszyklus, Rechteckwelle)
- 1970 MHz, 28 V/m, 217 Hz PM (50 % Betriebszyklus, Rechteckwelle)
- 2450 MHz, 28 V/m, 217 Hz PM (50 % Betriebszyklus, Rechteckwelle)
- 5240 MHz, 9 V/m, 217 Hz PM (50 % Betriebszyklus, Rechteckwelle)
- 5500 MHz, 9 V/m, 217 Hz PM (50 % Betriebszyklus, Rechteckwelle)
- 5785 MHz, 9 V/m, 217 Hz PM (50 % Betriebszyklus, Rechteckwelle)

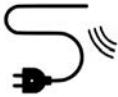
### Schnelle transiente elektrische Störgrößen/Bursts

	Das Produkt darf nicht durch schnelle, über das Kabel übertragene Impulssignale beeinträchtigt werden. Dadurch könnten die Komponenten Schaden nehmen oder das Produkt Aktionen auslösen.
<b>Test-standard</b>	<b>Prüfung der Störfestigkeit</b>
EN 61000-4-4	+/- 1 kV, +/- 2 kV 100 kHz Wiederholrate


### Überspannungsfestigkeit

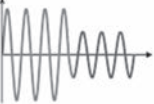
	Das Produkt darf durch Blitzstoßspannungen nicht insofern beeinflusst werden, dass Aktionen ausgelöst werden oder Produktkomponenten Schaden nehmen.
<b>Test-standard</b>	<b>Prüfung der Störfestigkeit</b>
EN 61000-4-5	Leitung-zu-Leitung: +/- 0,5 kV, +/- 1 kV Leitung-zu-Erde: +/- 0,5 kV, +/- 1 kV, +/- 2 kV (n. v.)


### Störfestigkeit gegen durch HF-Felder induzierte geleitete Störgrößen

	Die Kabel dürfen nicht durch andere HF-Felder insofern beeinflusst werden, dass Aktionen ausgelöst werden oder Produktkomponenten Schaden nehmen.
<b>Test-standard</b>	<b>Prüfung der Störfestigkeit</b>
EN 61000-4-6	3 V (6 V in ISM-Bändern und Amateurfunkbereichen) 0,15 bis 80 MHz, 80 % AM bei 1 kHz

de


<b>Störfestigkeit gegen Magnetfelder mit energietechnischen Frequenzen</b>	
	Das Produkt darf durch Magnetfelder nicht insofern beeinflusst werden, dass Aktionen ausgelöst werden oder Produktkomponenten Schaden nehmen.
<b>Teststandard</b>	
EN 61000-4-8	30 A/m, 60 Hz

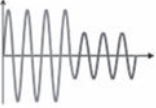
<b>Spannungsabfall</b>	
	Das Produkt darf bei einem Spannungsabfall keine Aktionen auslösen oder einschränken.
<b>Teststandard</b>	<b>Prüfung der Störfestigkeit</b>
EN 61000-4-11	0 % $U_T$ ; 0,5 Zyklen bei 0°, 45°, 90°, 135°, 180°, 225°, 270° und 315° 0 % $U_T$ ; 1 Zyklus bei 0° 70 % $U_T$ ; 25 Zyklen bei 0° Einphasig bei 0°


<b>Spannungsunterbrechungen</b>	
	Das Produkt darf bei einer kurzen Unterbrechung der Stromversorgung keine Aktionen auslösen oder einschränken.
<b>Teststandard</b>	<b>Prüfung der Störfestigkeit</b>
EN 61000-4-11	0 % $U_T$ ; 300 Zyklen

de

# Elektromagnetische Emissionen

<b>Störfestigkeit gegen Magnetfelder mit energietechnischen Frequenzen</b>	
	Das Produkt darf durch Magnetfelder nicht insofern beeinflusst werden, dass Aktionen ausgelöst werden oder Produktkomponenten Schaden nehmen.
<b>Test-standard</b>	
EN 61000-4-8	30 A/m, 60 Hz

<b>Spannungsabfall</b>	
	Das Produkt darf bei einem Spannungsabfall keine Aktionen auslösen oder einschränken.
<b>Test-standard</b>	<b>Prüfung der Störfestigkeit</b>
EN 61000-4-11	0 % $U_T$ ; 0,5 Zyklen bei 0°, 45°, 90°, 135°, 180°, 225°, 270° und 315° 0 % $U_T$ ; 1 Zyklus bei 0° 70 % $U_T$ ; 25 Zyklen bei 0° Einphasig bei 0°

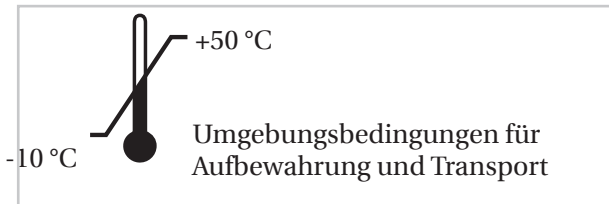
<b>Spannungsunterbrechungen</b>	
	Das Produkt darf bei einer kurzen Unterbrechung der Stromversorgung keine Aktionen auslösen oder einschränken.
<b>Test-standard</b>	<b>Prüfung der Störfestigkeit</b>
EN 61000-4-11	0 % $U_T$ ; 300 Zyklen

de

# Technische Daten

Materialien	Edelstahl, pulverbeschichtet Kunststoff (PVC, Polystyrol, ABS)
IP-Klasse	Die elektrischen Bestandteile haben die Schutzart IPX6. Das Gerät darf nicht in Wasser eingetaucht werden, es ist jedoch gegen starken Wasserstrahl (12,5-mm-Düse) aus jeglicher Richtung geschützt.
Gemessener Schalldruckpegel	48 dB

## Aufbewahrung und Transport



- Die Temperatur bei Aufbewahrung bzw. Transport des Produkts muss zwischen -10 und 50 °C liegen.
- Das Produkt muss immer in seiner Originalverpackung transportiert werden.
- Das verpackte Produkt sollte keinen Stößen oder Schlägen ausgesetzt werden.
- Das Produkt darf nicht verwendet werden, wenn die Verpackung beschädigt ist.



# Entsorgung und Wiederverwertung

Das Produkt enthält wiederverwertbare Materialien. Die Entsorgung des Produkts ist mit keinen bekannten Gefahren oder Risiken verbunden. Alle Komponenten können entsorgt werden, nachdem sie gereinigt und desinfiziert wurden.

Wir empfehlen, das Produkt zur Entsorgung zu zerlegen und in die verschiedenen Abfallfraktionen für die Wiederverwertung oder Verbrennung zu trennen.

Die folgende Tabelle enthält weitere Angaben zur Wiederverwertung und Entsorgung des Produkts.

<b>Wiederverwertbare Komponenten</b>	<b>Material</b>
Stahl	Stahl kann durch Einschmelzen wiederverwertet werden und als Sekundärmaterial in die Produktion von Neustahl einfließen.
Kunststoff	Nutzen Sie die örtlich verfügbaren Trenn- und Recyclingsysteme. Ansonsten hat die Verbrennung von Kunststoff den zusätzlichen Vorteil, dass dabei Energie erzeugt wird, die beispielsweise für die kombinierte Erzeugung von Wärme und Strom genutzt werden kann.
Elektronik	Die elektronischen Komponenten müssen separat entsorgt und der entsprechenden Wiederverwertung zugeführt werden.

de

# Sommaire

Notice de montage . . . . .	91
Symboles utilisés dans ce manuel . . . . .	92
Mesures de sécurité générales . . . . .	93
Distances de sécurité . . . . .	94
Usage prévu . . . . .	96
Profil d'opérateur prévu . . . . .	96
Profil d'utilisateur prévu . . . . .	96
Environnement d'exploitation . . . . .	96
Contre-indications liées à l'utilisation . . . . .	96
Mode d'emploi . . . . .	97
Réglages latéraux . . . . .	98
Bordure de sécurité . . . . .	99
Réinitialisation du support de lavabo . . . . .	99
Nettoyage . . . . .	100
Entretien . . . . .	101
Contrôle de maintenance . . . . .	101
Étiquette du produit . . . . .	106
Dépannage . . . . .	108
Compatibilité électromagnétique . . . . .	109
Immunité électromagnétique . . . . .	110
Émission électromagnétique . . . . .	114
Données techniques . . . . .	115
Stockage et transport . . . . .	115
Mise au rebut et recyclage . . . . .	116

fr













## Notice de montage



Une notice de montage est incluse avec le produit. Elle est également téléchargeable sur le site [pressaliticare.com](http://pressaliticare.com).

# Symboles utilisés dans ce manuel

Les symboles qui suivent sont utilisés dans ce manuel ainsi que dans la documentation associée fournis avec le produit.

 <b>AVERTISSEMENT</b>		<b>AVERTISSEMENT</b> indique une situation potentiellement dangereuse susceptible d'entraîner la mort ou de graves blessures si elle n'est pas évitée.	
 <b>ATTENTION</b>		<b>ATTENTION</b> indique une situation potentiellement dangereuse susceptible d'entraîner des blessures légères ou modérées si elle n'est pas évitée. Il peut également être utilisé pour alerter contre des pratiques dangereuses.	
<b>IMPORTANT</b>		<b>IMPORTANT</b> indique des informations importantes sur la manipulation et l'utilisation du produit.	
<b>REMARQUE</b>		<b>REMARQUE</b> est utilisé pour aborder des pratiques non associées à la sécurité personnelle.	
 <p>Avertissement de risque de blessure de la tête</p>	 <p>Avertissement de risque de blessure aux mains</p>	 <p>Avertissement de risque de blessure aux organes génitaux</p>	 <p>Avertissement de risque de blessure aux pieds</p>
 <p>Avertissement relatif à l'électricité / la tension</p>	 <p>Produits compatibles</p>	 <p>Numéro d'article / versions</p>	 <p>Caractéristiques électriques</p>
 <p>Poids du produit</p>	 <p>Poids maximal de l'utilisateur</p>		

## Mesures de sécurité générales



### AVERTISSEMENT

- Il est nécessaire de lire et de comprendre le manuel dans son intégralité avant d'utiliser le produit. Conserver le manuel près de l'unité.
- Respecter les instructions de ce manuel pour éviter tout accident impliquant de graves blessures corporelles.
- Ne jamais utiliser ou manipuler ce produit d'une autre manière que celle spécifiée dans ce manuel, car cela risquerait de mettre en danger votre sécurité et d'endommager le produit.
- Veiller à ce que toute personne devant installer ou utiliser le produit et ses systèmes dispose des informations nécessaires et puisse accéder à ce manuel.



### ATTENTION

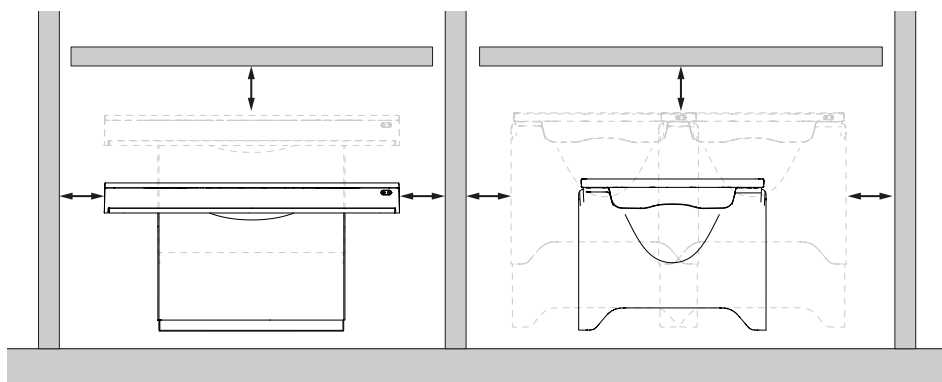
- Respecter ces instructions pour éviter d'endommager ou de détruire le produit.
- Ne pas procéder à des réparations, démontages, montages, extensions, réajustements ou modifications de ce produit. Ces opérations doivent être réalisées uniquement par Pressalit ou des personnes autorisées par Pressalit.
- Ne jamais permettre à des enfants d'utiliser ce produit, sauf sous surveillance. Le produit n'est pas destiné au jeu.
- Ne jamais utiliser le produit s'il est défectueux ou endommagé. Ne pas utiliser un produit défectueux avant de l'avoir fait réparer.







### REMARQUE

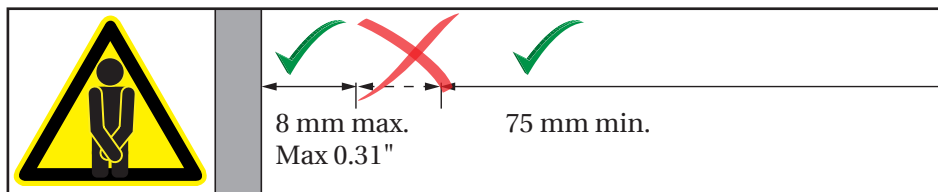
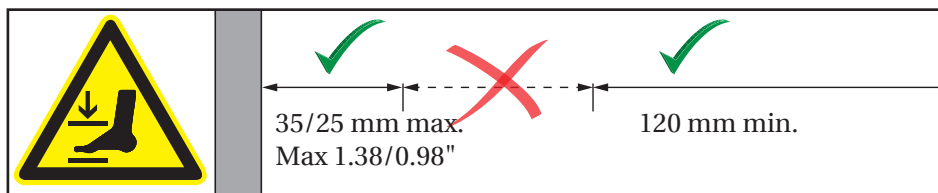
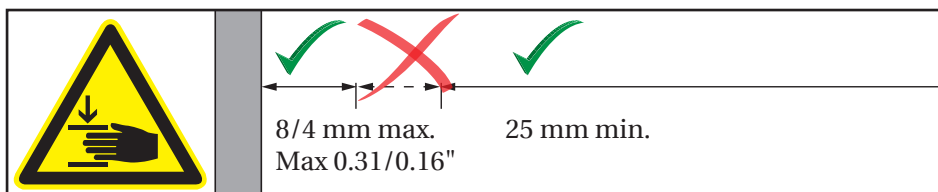
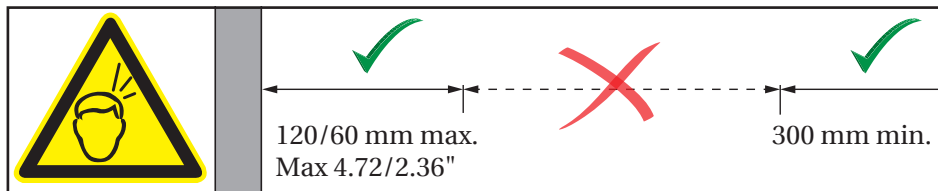
- Les informations contenues dans ce manuel reposent sur une installation correcte du produit selon la notice de montage.
- Pressalit ne saurait être tenu responsable en cas d'utilisation du produit autre que celle décrite dans le manuel.
- Nous nous réservons le droit de modifier ce manuel sans préavis.

## Distances de sécurité

Assurez-vous que le support de lavabo est à une distance suffisante des objets environnants. Vérifiez les distances avant toute utilisation.



ISO 17966:2016		
	120 mm max. 300 mm min.	60 mm max. 300 mm min.
	8 mm max. 25 mm min.	4 mm max. 25 mm min.
	35 mm max. 120 mm min.	25 mm max. 120 mm min.
	8 mm max. 75 mm min.	8 mm max. 75 mm min.



 **AVERTISSEMENT**

Si l'unité se déplace dans les limites des distances de sécurité, vous devez surveiller de très près les personnes et les objets environnants pour éviter tout risque d'écrasement.

## Usage prévu

Ce produit a été conçu pour offrir une ergonomie optimale d'adaptation à un lavabo pour les utilisateurs à mobilité réduite en position assise ou debout.

### Profil d'opérateur prévu

Le produit peut être utilisé par tous : adultes, enfants, adolescents, personnes âgées.

### Profil d'utilisateur prévu

Le produit peut être utilisé par tous : adultes, enfants, adolescents, personnes âgées.

### Environnement d'exploitation

Pour un usage en intérieur dans un environnement humide tel qu'une salle de bain. Le produit est prévu pour être utilisé à température ambiante dans des logements privés, services hospitaliers de long séjour et hôpitaux, dans des conditions de fonctionnement normales.

### Contre-indications liées à l'utilisation

L'utilisation de ce support de lavabo n'est pas recommandée aux personnes qui ne parviennent pas à garder leur équilibre en position debout.



**ATTENTION**

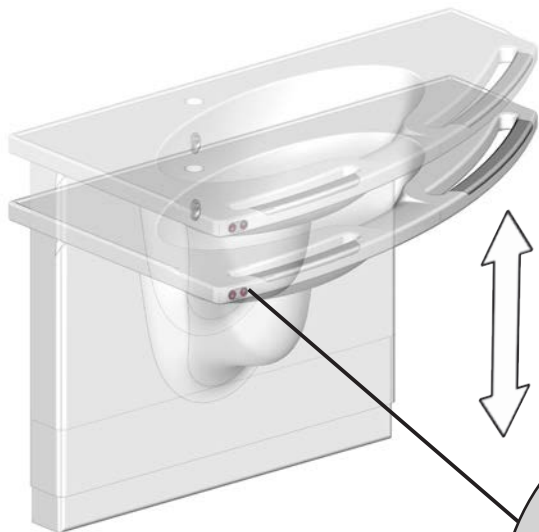
La surface du produit peut être chaude et/ou froide si elle est exposée à des sources externes de chaleur ou de froid (par exemple, le soleil ou le gel).

**REMARQUE**

Tout incident survenu en lien avec le produit doit être signalé au fabricant et aux autorités sanitaires.

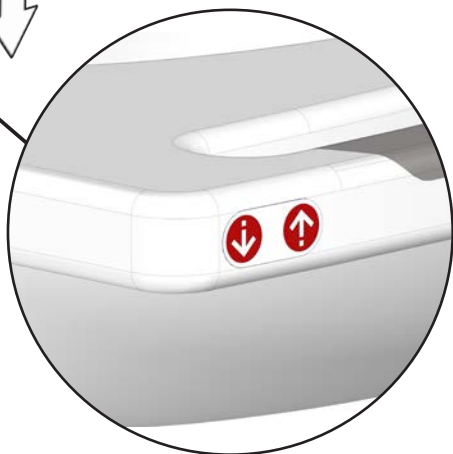
## Mode d'emploi

Les modèles de support de lavabo R4822, R4827, R4828, R4850, R4855, R4852, R4857, R4870 et R4875 peuvent être réglés de 200 mm vers le haut et vers le bas.



**Charge maximale :**  
**150 kg**

Le réglage en hauteur est contrôlé par des boutons de fonction à l'avant du lavabo.



Appuyez sur la touche de flèche vers le haut et maintenez-la enfoncée pour faire monter le lavabo. Appuyez sur la touche de flèche vers le bas et maintenez-la enfoncée pour le faire descendre. Le mouvement s'arrête dès que vous relâchez la touche.



**Attention au risque de blessure aux mains à proximité de pièces mécaniques mobiles.**



**ATTENTION**

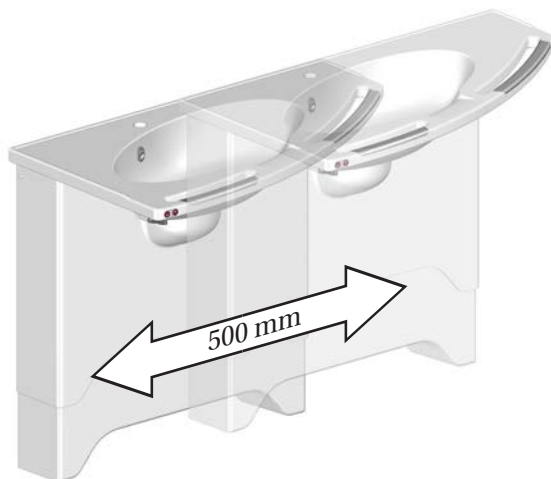
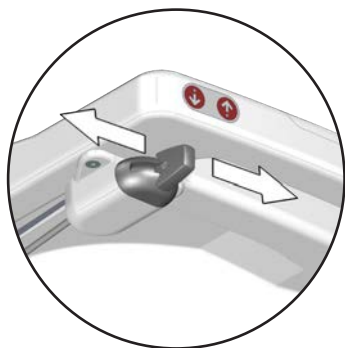
Ne jamais placer d'objets en dessous du lavabo.



## Réglages latéraux

Les modèles de support de lavabo R482219, R482719, R485019, R485519, R485219 et R485719 peuvent être réglés de 300 mm vers le haut et vers le bas et de 500 mm au total vers la gauche ou vers la droite.

**Charge maximale: 150 kg**



Déverrouillez le mécanisme coulissant en appuyant et en maintenant le bouton de réglage latéral vers la gauche ou la droite. Saisissez les poignées de l'évier et poussez

le support de lavabo vers la gauche ou la droite. Le support glisse assez aisément, sans nécessiter beaucoup d'efforts.

Lorsque le support de lavabo est dans la position souhaitée, relâchez le bouton de réglage latéral ; le support se verrouille alors en place avec un clic.

fr

### **ATTENTION**

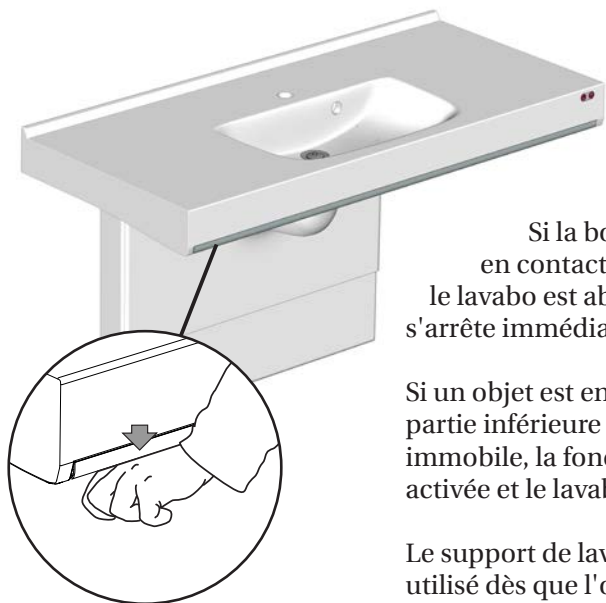
Assurez-vous que le mécanisme de verrouillage est correctement enclenché avant toute utilisation ou tout réglage en hauteur. Pour ce faire, poussez le support de lavabo légèrement vers la droite ou la gauche jusqu'à ce qu'un déclic se fasse entendre.



**Veillez à ne pas vous blesser les pieds lorsque vous déplacez le support de lavabo latéralement.**

## Bordure de sécurité

Les supports de lavabo **R4870** et **R4875** sont équipés d'une bordure de sécurité.



Si la bordure de sécurité entre en contact avec un objet lorsque le lavabo est abaissé, le mouvement s'arrête immédiatement.

Si un objet est en contact avec la partie inférieure du lavabo lorsqu'il est immobile, la fonction de sécurité est activée et le lavabo se soulève.

Le support de lavabo peut être à nouveau utilisé dès que l'obstruction est délogée.

## Réinitialisation du support de lavabo

Si le lavabo est bloqué, essayez de le réinitialiser.

- ① Assurez-vous que la bordure de sécurité n'est pas activée. Faites descendre le support de lavabo au maximum, jusqu'à sa position de départ.
- ② Relâchez la touche de flèche vers le bas, puis, après 3 à 4 secondes, appuyez à nouveau dessus jusqu'à ce qu'un léger clic se fasse entendre (après 10 secondes environ).
- ③ Relâchez la touche de flèche vers le bas puis faites monter le support de lavabo jusqu'à sa position la plus haute. Un autre clic se fait entendre.
- ④ Faites descendre le support de lavabo de quelques centimètres.
- ⑤ Faites-le à nouveau monter jusqu'à sa position la plus haute. Un autre clic se fait entendre.

Le support de lavabo est alors réinitialisé. Le support de lavabo doit être réinitialisé après une interruption de l'alimentation électrique.

# Nettoyage

Le produit doit être nettoyé à l'aide d'eau chaude ou d'un agent nettoyant légèrement savonneux.

Pour consulter les produits de nettoyage testés et approuvés par Pressalit pour le produit spécifique, veuillez visiter le site [Pressalit.com](http://Pressalit.com) et référez-vous au numéro d'article du produit.

Pressalit recommande un nettoyage du produit après son installation.

## **ATTENTION**

Toujours lire les fiches techniques de sécurité du matériel et les notices fournies de l'agent de nettoyage, de désinfection ou de détartrage, et respecter les instructions relatives à l'utilisation sécurisée, la dilution, le rinçage, le séchage, la manipulation et le stockage de l'agent.

## **IMPORTANT**

- Ne pas utiliser d'autoclave ou tout autre type de nettoyeur à vapeur.
- Éviter les agents de nettoyage agressifs contenant des acides.
- Ne jamais asperger le produit directement à l'aide d'un nettoyeur haute pression.
- Pour désinfecter la surface, des désinfectants peuvent être utilisés en tenant compte des caractéristiques et des précautions de sécurité liées à ces produits.

# Entretien

La durée de vie prévue du support de lavabo est de 10 ans, à condition que l'entretien soit effectué comme décrit ci-dessous :

Il est recommandé de faire fonctionner les moteurs du produit à leurs positions maximales de manière hebdomadaire en levant le produit à sa position la plus haute puis en le descendant à sa position la plus basse afin de lubrifier les pièces internes.

Il est recommandé d'effectuer un contrôle de maintenance une fois par an.

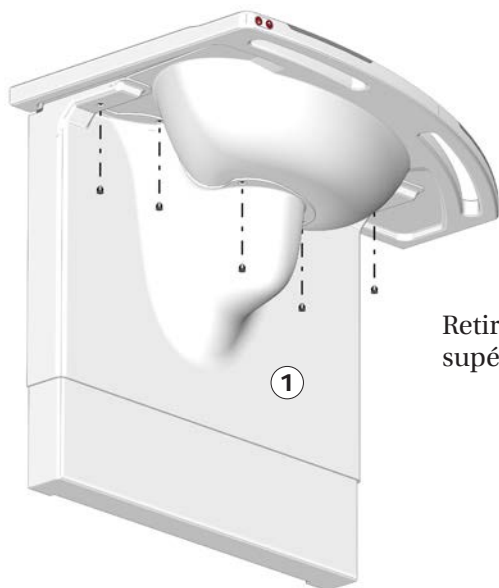
## Contrôle de maintenance

Positionnez le lavabo le plus haut possible.

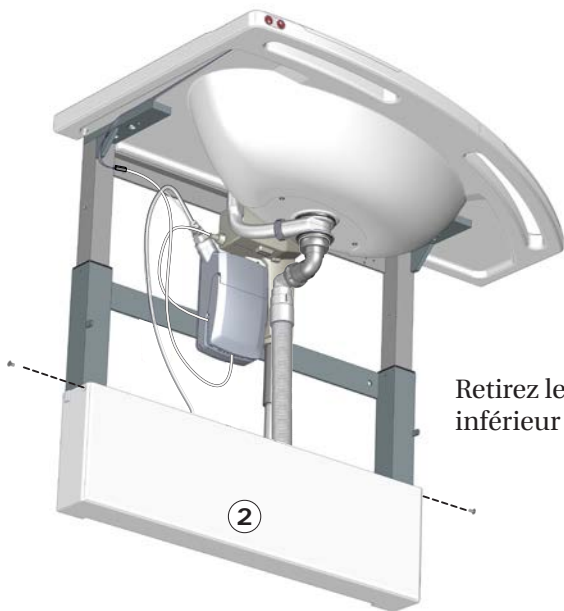
**Pour les modèles R4822, R4827, R4828, R4850, R4855, R4852 et R4857**



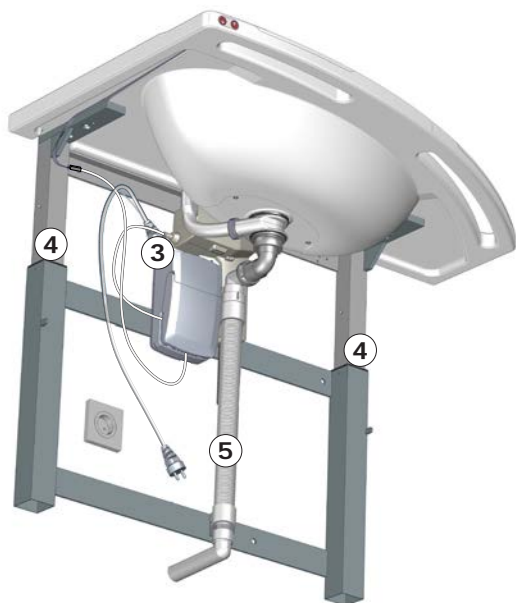
**Débranchez l'alimentation avant de retirer les couvercles.**



Retirez les vis et le couvercle avant supérieur ①.



Retirez les vis et le couvercle avant inférieur ②.



Contrôlez tous les branchements électriques ③.

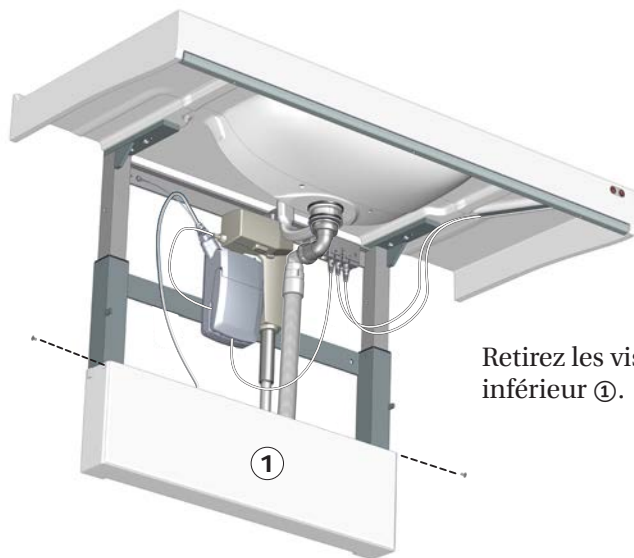
Lubrifiez les tubes carrés internes ④ et la tige du vérin ⑤.

Refixez les couvercles avant et supérieur.

Rebranchez l'alimentation.

Faites descendre le lavabo à sa position la plus basse, puis faites-le remonter à sa position la plus haute pour bien distribuer le lubrifiant.

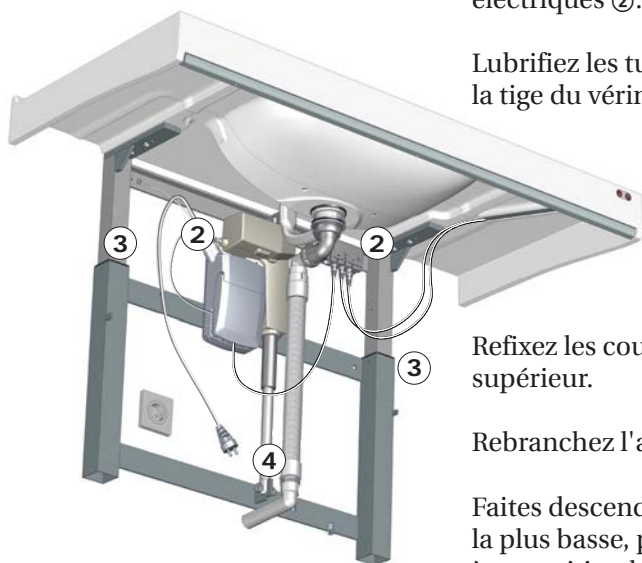
**Pour R4870 et 4875**



Retirez les vis et le couvercle avant inférieur ①.

Contrôlez tous les branchements électriques ②.

Lubrifiez les tubes carrés internes ③ et la tige du vérin ④.



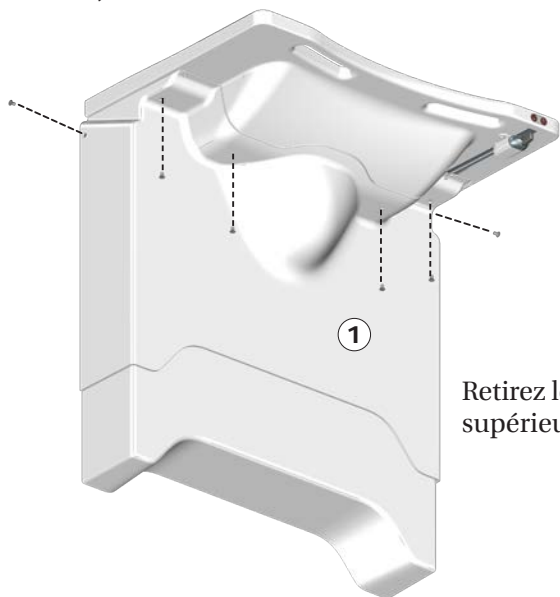
Refixez les couvercles avant et supérieur.

Rebranchez l'alimentation.

Faites descendre le lavabo à sa position la plus basse, puis faites-le remonter à sa position la plus haute pour bien distribuer le lubrifiant.

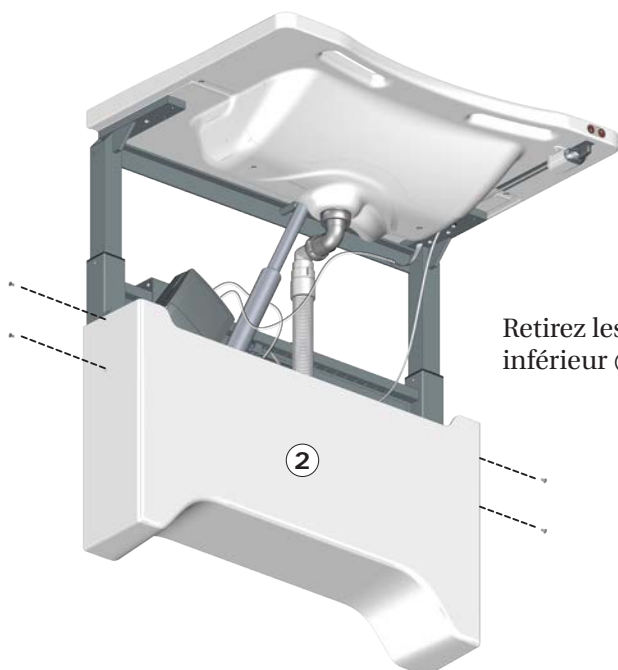
**Pour les modèles R482219, R482719, R485019, R485219,  
R485519, R485719**

Positionnez le lavabo le plus haut possible.

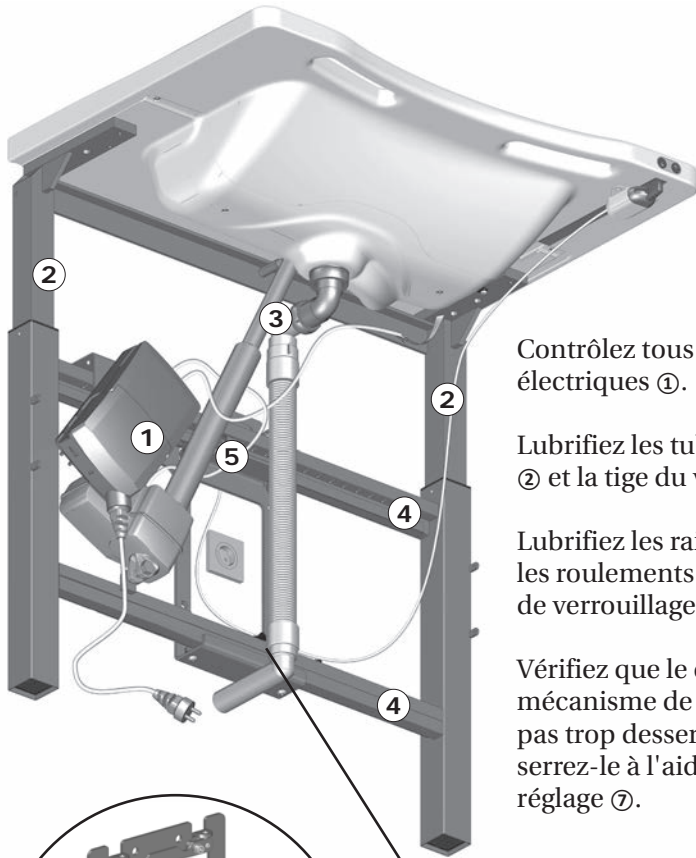


Retirez les vis et le couvercle avant supérieur ①.

fr



Retirez les vis et le couvercle avant inférieur ②.

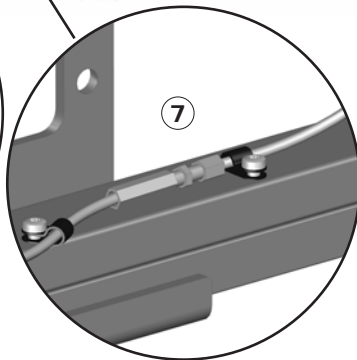
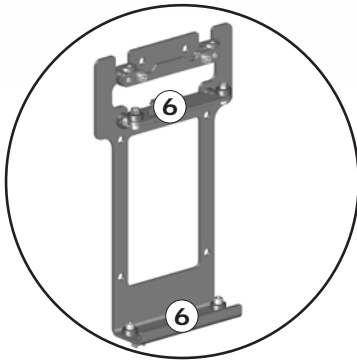


Contrôlez tous les branchements électriques ①.

Lubrifiez les tubes carrés internes ② et la tige du vérin ③.

Lubrifiez les rails ④, le verrou ⑤ et les roulements ⑥ du mécanisme de verrouillage.

Vérifiez que le câble du mécanisme de verrouillage n'est pas trop desserré. Si c'est le cas, serrez-le à l'aide de la vis de réglage ⑦.



Refixez les couvercles avant et supérieur, puis rebranchez l'alimentation. Faites descendre le lavabo à sa position la plus basse, puis faites-le remonter à sa position la plus haute pour bien distribuer le lubrifiant. Faites également glisser le support de lavabo dans sa position la plus à gauche et la plus à droite.





⑩ Classe IP

---

⑪ Courant électrique

---

⑫ Code-barres GS1-128

---

⑬ Poids du produit

---

⑭ Code du lot

---

⑮ Conformité R.-U. évaluée

---

Ces produits portent la marque CE conformément aux exigences pertinentes de :

- Règlement (UE) 2017/745 (du 5 avril 2017) relatif aux dispositifs médicaux.

⑯

- La directive 2006/42/CE du Conseil (du 17 mai 2006) sur les machines.

- La directive 2011/65/UE du Conseil (du 8 juin 2011) dite RoHS.

Une déclaration de conformité est disponible sur [pressalit.com](http://pressalit.com)

---

⑰ Ce produit ne contient aucune des substances dangereuses mentionnées dans la Directive RoHS 2011/65/CE du Conseil.

---

⑱ Nom de produit (le cas échéant)

---

⑲ Ne pas le mettre au rebut sous forme de déchets municipaux non triés. Le produit doit être collecté séparément des autres déchets et renvoyé au service de recyclage désigné.

---

⑳ Pièce appliquée de type BF. Pièce du produit qui, dans des conditions normales d'utilisation, est obligatoirement en contact avec le patient pour remplir sa fonction. Le produit est conforme aux exigences de protection contre les chocs électriques de la norme CEI 60601-1.

---

㉑ Cycle de service

---

㉒ Consulter le manuel pour les mises en garde importantes telles que les avertissements et les précautions.

---

㉓ Consulter le manuel d'utilisation

---

㉔ Nom et adresse du fabricant

---

㉕ Appareil électrique à double isolation

---

# Dépannage

Problème	Cause	Mesure
Les boutons de fonction ne fonctionnent pas.	Problème au niveau de l'alimentation électrique.	Vérifiez que tous les câbles et prises sont intacts et correctement raccordés. Contactez Pressalit A/S ou votre représentant local.
Le produit monte et descend de façon irrégulière.	Les tubes carrés internes ne sont pas bien lubrifiés.	Graissez les tubes carrés internes comme décrit à la section « Entretien ».
Le produit ne se déplace plus latéralement.	Des tuyaux ou des câbles sont peut-être coincés.	Retirez le ou les couvercles et vérifiez que rien n'est bloqué.
	Le mécanisme de verrouillage est peut-être bloqué.	Vérifiez le verrou et le câble comme indiqué dans la section « Entretien ».
Le système de sécurité ne fonctionne pas.	Interrupteurs défectueux.	Vérifiez si des contacts du système de sécurité sont bloqués et, le cas échéant, essayez de les démêler. Si vous ne parvenez pas à résoudre le problème, remplacez les contacts. Le système de sécurité fonctionnera uniquement si le courant peut être détecté. Pensez à procéder à une réinitialisation comme indiqué dans la section « Réinitialisation du support de lavabo ».

Contactez Pressalit ou votre représentant si vous ne parvenez pas à résoudre le problème. N'essayez pas de réparer vous-même le produit car cela annulerait la garantie.

# Compatibilité électromagnétique

Le dispositif est adapté à une utilisation à domicile, dans les centres de soins et les centres accueillant les personnes souffrant de handicaps physiques ou mentaux et dans les hôpitaux, sauf à proximité d'appareils chirurgicaux à haute fréquence et de salles radio protégées équipées de systèmes médicaux d'imagerie par résonance magnétique provoquant des perturbations électromagnétiques de forte intensité.

Le dispositif ne présente pas de fonction relative à la sécurité de base ou aux performances essentielles. En cas de perte de performance ou de dégradation causée par des perturbations électromagnétiques, la sécurité de l'utilisateur reste sans compromis.


<b>Câble</b>	<b>Longueur</b>
Câble d'alimentation	3,2 m
Câble en spirale pour commande manuelle	Env. 5 m tendu




## AVERTISSEMENT

- L'usage d'accessoires, de transducteurs et de câbles autres que ceux spécifiés ou fournis par le fabricant risquent de provoquer une augmentation des émissions électromagnétiques ou une réduction de l'immunité électromagnétique de cet équipement et d'entraîner un fonctionnement inapproprié.
- Les équipements de communication à radiofréquence portables (y compris les périphériques comme les câbles d'antenne et antennes externes) ne doivent pas être utilisés à une distance de moins de 30 cm de toute pièce de l'unité, câbles compris, afin d'éviter tout risque de dégradation des performances de cette unité.
- Il convient d'éviter toute utilisation de cet équipement conjointement ou superposée avec d'autres équipements pouvant provoquer un fonctionnement inadéquat. Si une telle utilisation est inévitable, cet équipement et les équipements utilisés conjointement doivent être inspectés pour vérifier leur fonctionnement normal.

## Immunité électromagnétique

<b>Décharge électrostatique</b>	
	Le produit ne doit être exposé à aucune décharge électrique entre une personne et les matériaux pouvant initier des actions ou rendre les composants défectueux.
<b>Norme de test</b>	<b>Niveau d'essai d'immunité</b>
EN 61000-4-2	+/- 8 kV contact +/- 2, 4, 8, 15 kV air

<b>Champ électromagnétique de radiofréquences par rayonnement</b>	
	Le produit ne doit pas être exposé à des signaux de radiofréquences par rayonnement, émis par les téléphones portables ou les radios par exemple, pouvant entraîner une action du produit ou rendre certains composants défectueux.
<b>Norme de test</b>	<b>Niveau d'essai d'immunité</b>
EN 61000-4-3	15 V/m 80 MHz à 1000 MHz 15 V/m 1,01 GHz à 6 GHz 80 % AM 1 kHz

## Immunité aux champs de proximité des équipements de communication sans fil RF



Le produit ne doit pas être exposé à des signaux de radiofréquences par rayonnement, émis par les téléphones portables ou les radios par exemple, pouvant entraîner une action du produit ou rendre certains composants défectueux.

### Norme de test

### Niveau d'essai d'immunité

EN 61000-4-3\*

385 MHz, 27 V/m, 18 Hz PM (onde carrée à un cycle de marche de 50 %)  
 450 MHz, 28 V/m, déviation FM +/- 5 kHz, onde sine 1 kHz  
 710 MHz, 9 V/m, 217 Hz PM (onde carrée à un cycle de marche de 50 %)  
 745 MHz, 9 V/m, 217 Hz PM (onde carrée à un cycle de marche de 50 %)  
 780 MHz, 9 V/m, 217 Hz PM (onde carrée à un cycle de marche de 50 %)  
 810 MHz, 28 V/m, 18 Hz PM (onde carrée à un cycle de marche de 50 %)  
 870 MHz, 28 V/m, 18 Hz PM (onde carrée à un cycle de marche de 50 %)  
 930 MHz, 28 V/m, 18 Hz PM (onde carrée à un cycle de marche de 50 %)  
 1720 MHz, 28 V/m, 217 Hz PM (onde carrée à un cycle de marche de 50 %)  
 1845 MHz, 28 V/m, 217 Hz PM (onde carrée à un cycle de marche de 50 %)  
 1970 MHz, 28 V/m, 217 Hz PM (onde carrée à un cycle de marche de 50 %)  
 2450 MHz, 28 V/m, 217 Hz PM (onde carrée à un cycle de marche de 50 %)  
 5240 MHz, 9 V/m, 217 Hz PM (onde carrée à un cycle de marche de 50 %)  
 5500 MHz, 9 V/m, 217 Hz PM (onde carrée à un cycle de marche de 50 %)  
 5785 MHz, 9 V/m, 217 Hz PM (onde carrée à un cycle de marche de 50 %)

### **Transitoire électrique rapide / rafale**



Le produit ne doit pas être exposé à des impulsions rapides via le câble. Cela peut rendre les composants défectueux ou entraîner une action initiée par le produit.

**Norme de test**

**Niveau d'essai d'immunité**

EN 61000-4-4

+/- 1 kV, +/- 2 kV  
Fréquence de répétition 100 kHz

### **Immunité aux surtensions**



Le produit ne doit pas être exposé au risque d'initier des actions ou de rendre des composants défectueux en conséquence de la foudre.

**Norme de test**

**Niveau d'essai d'immunité**

EN 61000-4-5

Phase-phase : +/- 0,5 kV, +/- 1 kV  
Phase-terre : +/- 0,5 kV, +/- 1 kV, +/- 2 kV (s.o.)

### **Immunité aux perturbations transmises par conduction et induites par des champs de radiofréquences**



Le câblage ne doit pas être exposé à d'autres champs de radiofréquences pouvant initier des actions ou rendre certains composants défectueux.


**Norme de test**

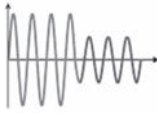
**Niveau d'essai d'immunité**


EN 61000-4-6

3 V (6 V pour les bandes ISM et bandes radio amateur)  
0,15 à 80 MHz, 80 % AM à 1 kHz

fr

<b>Immunité au champ magnétique à la fréquence du réseau</b>	
	Le produit ne doit pas être exposé au risque d'initier des actions ou de rendre des composants défectueux en conséquence des champs magnétiques.
<b>Norme de test</b>	
EN 61000-4-8	30 A/m, 60 Hz


<b>Creux de tension</b>	
	Le produit ne doit pas pouvoir initier ou limiter des actions en conséquence d'une baisse de l'alimentation électrique.
<b>Norme de test</b>	<b>Niveau d'essai d'immunité</b>
EN 61000-4-11	0 % $U_T$ ; 0,5 cycle à 0°, 45°, 90°, 135°, 180°, 225°, 270° et 315° 0 % $U_T$ ; 1 cycle à 0° 70 % $U_T$ ; 25 cycles à 0° Monophasé à 0°


<b>Coups de tension</b>	
	Le produit ne doit pas pouvoir initier ou limiter des actions en conséquence d'une coupure de l'alimentation électrique momentanée.
<b>Norme de test</b>	<b>Niveau d'essai d'immunité</b>
EN 61000-4-11	0 % $U_T$ ; 300 cycles


fr




## Émission électromagnétique

<b>Émission de radiofréquences conduites</b>	
	Le produit ne doit pas introduire trop de bruit dans le réseau, car cela pourrait entraîner des perturbations concernant d'autres produits.
<b>Norme de test</b>	<b>Groupe et classe de test d'émission</b>
EN 55011	Classe B, groupe 1

<b>Émission de radiofréquences par rayonnement</b>	
	Le produit ne doit pas émettre de signaux de radiofréquences dans la pièce car cela pourrait entraîner des perturbations concernant d'autres produits.
<b>Norme de test</b>	<b>Groupe et classe de test d'émission</b>
EN 55011	Classe B, groupe 1

<b>Émissions de courant harmonique</b>	
	Le réseau ne doit pas pouvoir s'alimenter à partir du réseau de manière accidentelle.
<b>Norme de test</b>	<b>Groupe et classe de test d'émission</b>
CEI 61000-3-2	Classe A

<b>Variations et fluctuations de tension et pulsations</b>	
	Le produit ne doit pas affecter d'autres produits lorsqu'il est raccordé au réseau. Il peut s'agir par exemple d'éclairage pouvant vaciller et gêner les personnes présentes dans la pièce.
<b>Norme de test</b>	<b>Groupe et classe de test d'émission</b>
EN 61000-3-3	Testé conformément à la norme.

## Données techniques

Matériaux	Acier inoxydable laqué à la poudre. Matières synthétiques (PVC, polystyrène, ABS).
Classe IP	Les pièces électriques présentent un indice de protection IPX6. Le produit ne doit pas être immergé dans l'eau, mais est conçu pour résister à de puissants jets d'eau (buse de 12,5 mm) provenant de toute direction.
Niveau de pression acoustique mesuré	48 dB

## Stockage et transport



- La température de stockage et de transport de l'unité doit être comprise entre -10 et 50 degrés Celsius.
- L'unité doit toujours être transportée dans son emballage d'origine.
- Évitez de soumettre l'emballage à des chocs et des impacts.
- N'utilisez pas le produit si l'emballage est détérioré ou endommagé.

## Mise au rebut et recyclage

L'unité contient des matériaux réutilisables. Il n'y a aucun risque connu associé à la mise au rebut du produit. Tous les composants peuvent être mis au rebut après avoir été nettoyés et désinfectés.

Lors de la mise au rebut du produit, nous recommandons de le démonter et de le décomposer en différents groupes de déchets en vue de leur recyclage ou incinération.

Le tableau suivant fournit des informations sur le recyclage et la manipulation du produit.

<b>Composants recyclables</b>	<b>Matériau</b>
Acier	L'acier peut être recyclé en étant fondu et inclus en tant que matériau secondaire dans la production d'acier nouveau.
Matières synthétiques	Utilisez les systèmes locaux de tri et de recyclage des matières synthétiques. Alternativement, l'incinération des matières synthétiques présente l'avantage de générer de l'énergie qui peut être utilisée, par exemple, pour la production combinée de chaleur et d'électricité.
Composants électroniques	Les composants électroniques doivent être collectés séparément des autres déchets et renvoyés au service de recyclage désigné.

# Inhoud

Montage-instructies .....	117
Symbolen in deze handleiding .....	118
Algemene veiligheid .....	119
Veiligheidsafstand .....	120
Beoogd gebruik .....	122
Profiel van beoogde bediener .....	122
Profiel van beoogde gebruiker .....	122
Gebruiksomgeving .....	122
Contra-indicaties voor gebruik .....	122
Gebruiksaanwijzingen .....	123
Zijwaartse aanpassing .....	124
Veiligheidsstrip .....	125
Het frame voor de wastafel opnieuw instellen .....	125
Reinigen .....	126
Onderhoud .....	127
Onderhoudsinspectie .....	127
Productlabel .....	132
Probleemoplossing .....	134
Elektromagnetische compatibiliteit .....	135
Elektromagnetische immuniteit .....	136
Elektromagnetische emissie .....	140
Technische gegevens .....	141
Opslag en transport .....	141
Afvoer en recycling .....	142

nl

## Montage-instructies



Er worden montage-instructies met dit product meegeleverd. U kunt de handleiding ook via [pressalitcare.com](http://pressalitcare.com) downloaden.

# Symbolen in deze handleiding

De volgende symbolen worden gebruikt in deze handleiding en de bijbehorende documentatie die met het product is meegeleverd.



**WAARSCHUWING** geeft een mogelijk gevaarlijke situatie aan die, indien niet vermeden, kan leiden tot overlijden of ernstig letsel.








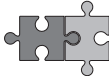




**LET OP** geeft een mogelijk gevaarlijke situatie aan die, indien niet vermeden, kan leiden tot licht of matig letsel. 'Let op' kan ook worden gebruikt om de gebruiker te waarschuwen voor onveilige praktijken.



**BELANGRIJK** geeft belangrijke informatie aan over het hanteren en gebruiken van het product.



**OPMERKING** wordt gebruikt om praktijken aan te duiden die geen betrekking hebben op de persoonlijke veiligheid.

 <p>Waarschuwing voor hoofdletsel</p>	 <p>Waarschuwing voor letsel aan handen</p>	 <p>Waarschuwing voor letsel aan genitaliën</p>	 <p>Waarschuwing voor letsel aan voeten</p>
 <p>Waarschuwing voor elektriciteit/voltage</p>	 <p>Compatibele producten</p>	 <p>Artikelnummer/-uitvoeringen</p>	 <p>Voedings-specificaties</p>
 <p>Gewicht van product</p>	 <p>Max. gewicht gebruiker</p>		

# Algemene veiligheid



## WAARSCHUWING

- Lees de handleiding vóór gebruik volledig door en zorg dat u deze begrijpt. Houd de handleiding in de buurt van de eenheid.
- Houd u aan deze handleiding om ongelukken met ernstig persoonlijk letsel te voorkomen.
- Gebruik of hanteer dit product nooit op een andere manier dan in deze handleiding staat beschreven, omdat dit uw veiligheid in gevaar kan brengen en schade aan het product kan veroorzaken.
- Zorg ervoor dat iedereen die het product en de bijbehorende systemen gaat plaatsen of gebruiken, is voorzien van de benodigde informatie en toegang heeft tot deze handleiding.



## LET OP

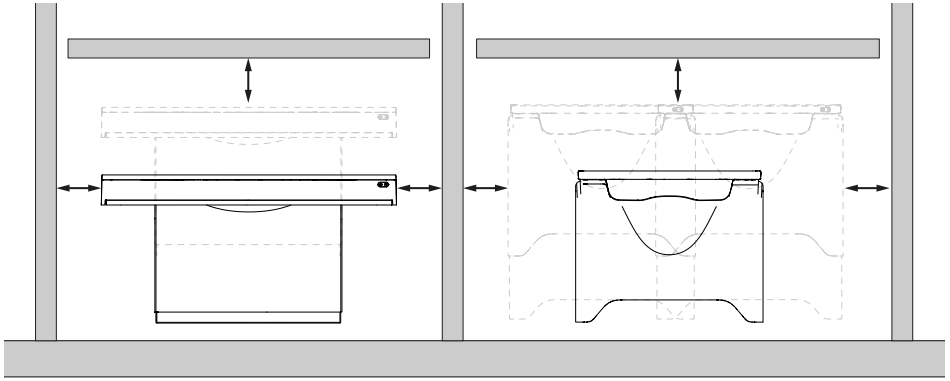
- Volg deze instructies op om te voorkomen dat het product wordt beschadigd of vernietigd.
- Voer geen reparaties, (de)montagewerkzaamheden, uitbreidingen, afstellingen of aanpassingen uit met betrekking tot dit product. Deze werkzaamheden mogen uitsluitend worden uitgevoerd door Pressalit of door personen die door Pressalit zijn gemachtigd.
- Kinderen mogen nooit zonder toezicht dit product bedienen. Dit product is geen speelgoed.
- Gebruik dit product nooit als het defect of beschadigd is. Gebruik het product niet voordat het is gerepareerd.







## OPMERKING

- De informatie in deze handleiding is gebaseerd op een juiste passing van het product conform onze montage-instructies.
- Pressalit is niet aansprakelijk wanneer het product wordt gebruikt op een manier die afwijkt van de in de gids beschreven manier.
- We behouden ons het recht voor deze handleiding aan te passen zonder voorafgaande kennisgeving.

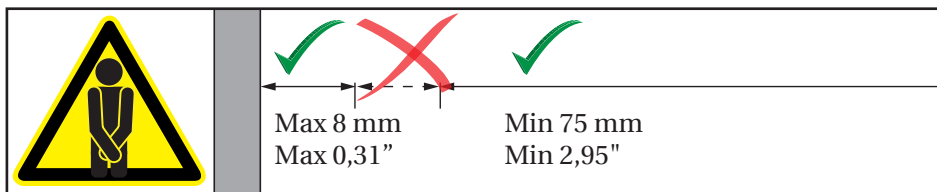
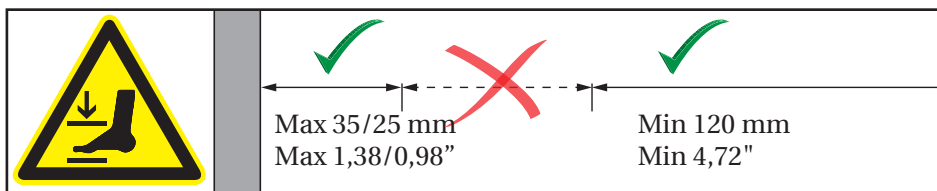
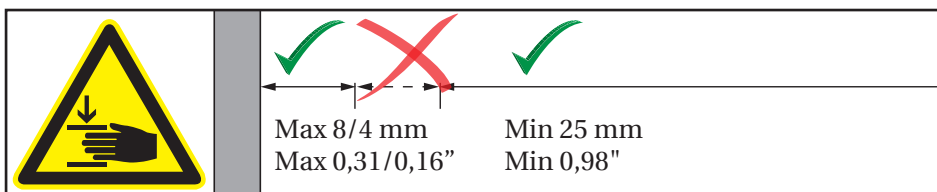
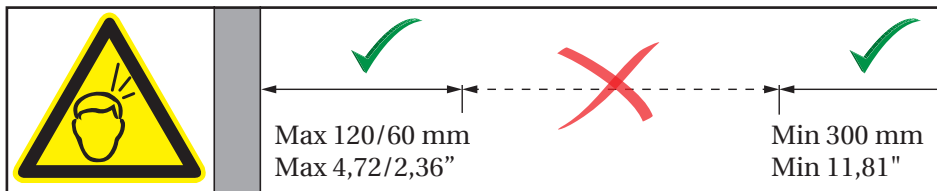
# Veiligheidsafstand

Zorg voor voldoende afstand tussen het frame voor wastafels en omringende voorwerpen. Controleer vóór gebruik de afstanden.



ISO 17966:2016		
	Max 120 mm (4,72") Min 300 mm (11,81")	Max 60 mm (2,36") Min 300 mm (11,81")
	Max 8 mm (0,31") Min 25 mm (0,98")	Max 4 mm (0,16") Min 25 mm (0,98")
	Max 35 mm (1,38") Min 120 mm (4,72")	Max 25 mm (0,98") Min 120 mm (4,72")
	Max 8 mm (0,31") Min 75 mm (2,95")	Max 8 mm (0,31") Min 75 mm (2,95")

nl



 **WAARSCHUWING**

Als het apparaat zich binnen de veiligheidsafstanden beweegt, moet u bijzonder goed op de omringende personen en voorwerpen letten om beknellingsgevaar te voorkomen.



# Beoogd gebruik

Dit product is bedoeld voor optimale ergonomie bij een wastafel voor zowel zittende als staande gebruikers met een handicap.

## Profiel van beoogde bediener

Het product kan door iedereen worden gebruikt: volwassenen, kinderen, jong en oud.

## Profiel van beoogde gebruiker

Het product kan door iedereen worden gebruikt: volwassenen, kinderen, jong en oud.

## Gebruiksomgeving

Voor gebruik binnenshuis in een natte omgeving, zoals een badkamer of wasruimte. Het product is bedoeld om bij kamertemperatuur te worden gebruikt, in woningen, verpleeghuizen en ziekenhuizen onder normale bedrijfsomstandigheden.

## Contra-indicaties voor gebruik

Mensen die moeite hebben hun evenwicht te bewaren in een rechtopstaande positie wordt afgeraden deze hoog-laag-wastafel te gebruiken.



Het oppervlak van het product kan heet en/of koud worden als het wordt blootgesteld aan externe warmte- of koudebronnen als zonlicht of vorst.

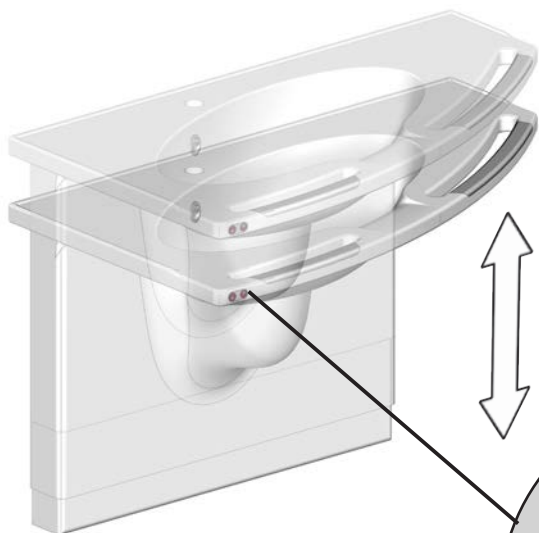
## OPMERKING

Ieder serieus incident dat heeft plaats gevonden in relatie tot het product dient te worden gemeld aan de fabrikant en de gezondheidskundige autoriteiten.

# Gebruiksaanwijzingen

De modellen voor frames voor wastafels R4822, R4827, R4828, R4850, R4855, R4852, R4857, R4870 en R4875 kunnen 200 mm (7,87") omhoog en omlaag worden versteld.

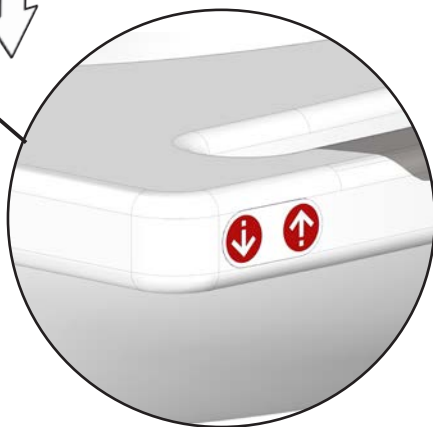
**De maximale belastbaarheid is 150 kg/330 lbs.**



De hoogteafstelling kan worden geregeld met de bedieningsknoppen aan de voorzijde van de wastafel

Houd de knop omhoog ingedrukt om de wastafels te verhogen en houd de knop

omlaag ingedrukt om de wastafel omlaag te bewegen. De tafel stopt met bewegen wanneer u de knop loslaat.



**Wees voorzichtig om letsel aan uw handen te voorkomen wanneer u zich in de buurt bevindt van bewegende mechanische onderdelen.**



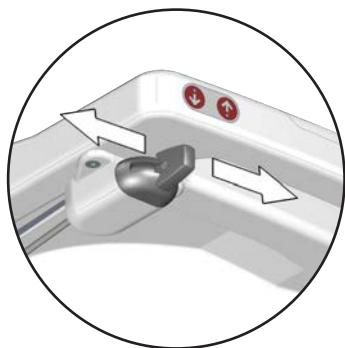
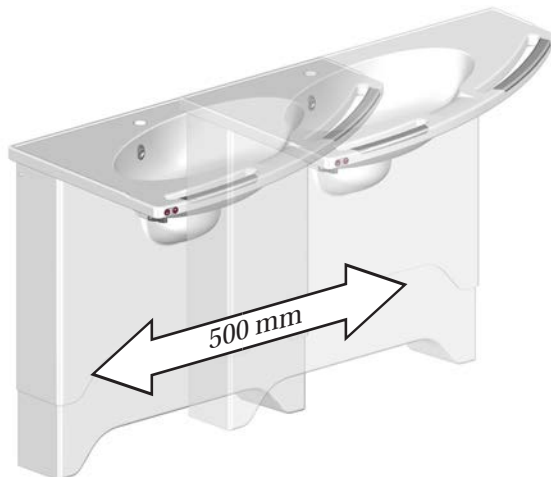
**LET OP**

Plaats geen voorwerpen onder de wastafel.

## Zijwaartse aanpassing

Het frame voor wastafels modellen R482219, R482719, R485019, R485519, R485219 en R485719 kunnen 300 mm (11,81") naar boven en naar beneden worden versteld en ook 500 mm in totaal (19,69") naar links of naar rechts.

### De maximale



### belastbaarheid is 150 kg/330 lbs.

Ontgrendel het schuifmechanisme door de knop voor zijwaartse aanpassing naar links of rechts ingedrukt te houden.

Pak de hendels van de wastafel vast en

duw het frame voor wastafels naar links of rechts. Het frame schuift vrij gemakkelijk, dus u hoeft niet veel kracht uit te oefenen.

Als het frame voor wastafels in de gewenste positie staat, laat u de knop voor de zijwaartse aanpassing los en wordt het frame met een klik vergrendeld.

## ! LET OP

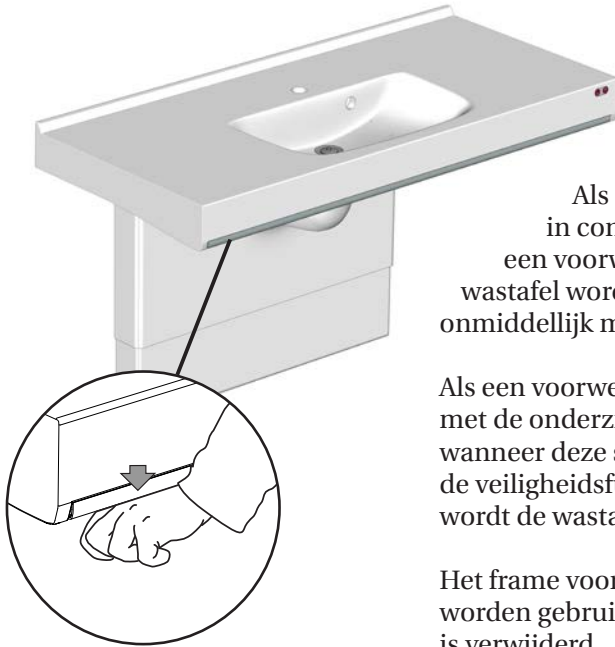
Zorg ervoor dat het vergrendelingsmechanisme goed vastzit vóór gebruik of hoogteaanpassing. Dit gebeurt door het frame voor wastafels iets naar rechts of naar links te duwen tot u een klik hoort.



**Pas op dat u uw voeten niet verwondt bij het zijwaarts verplaatsen van het frame voor wastafels**

# Veiligheidsstrip

Het frame voor de wastafels **R4870** en **R4875** is voorzien van een veiligheidsstrip.



Als de veiligheidsstrip in contact komt met een voorwerp wanneer de wastafel wordt verlaagd, stopt deze onmiddellijk met bewegen.

Als een voorwerp in contact komt met de onderzijde van de wastafel wanneer deze stationair is, wordt de veiligheidsfunctie geactiveerd en wordt de wastafel verhoogd.

Het frame voor de wastafel kan weer worden gebruikt zodra de blokkering is verwijderd.

## Het frame voor de wastafel opnieuw instellen

Als het frame voor de wastafel vastzit, probeert u dit opnieuw in te stellen.

- ① Zorg dat de veiligheidsstrip niet is geactiveerd. Breng het frame voor de wastafel helemaal omlaag tot de beginpositie.
- ② Laat de knop Omlaag los en druk deze na 3-4 sec. weer in tot u na ongeveer 10 sec. een lichte klik hoort.
- ③ Laat de knop Omlaag los en zet het frame voor de wastafel vervolgens in de hoogste stand. U hoort nog een klik.
- ④ Verlaag het frame voor de wastafel een paar centimeter.
- ⑤ Verhoog dit vervolgens weer tot de hoogste stand. U hoort nog een klik. Het frame voor de wastafel is nu opnieuw ingesteld. Het frame voor de wastafel moet ook opnieuw worden ingesteld als er een onderbreking van de stroomvoorziening heeft plaatsgevonden.

# Reinigen

Het product dient met warm water of een mild reinigingsmiddel te worden gereinigd.

Om te zien welke reinigingsmiddelen zijn getest en goedgekeurd door Pressalit voor het specifieke product, gaat u naar [Pressalit.com](http://Pressalit.com) en raadpleegt u het artikelnummer van het product.

Pressalit raadt aan om het product te reinigen na installatie.



**LET OP**

Lees altijd het veiligheidsinformatieblad (MSDS) en de geleverde instructies voor het reinigings-, desinfectie- of ontkalkingsmiddel en volg alle instructies voor veilig gebruik, verdunnen, spoelen, drogen, hanteren en opslag van het middel op.

**BELANGRIJK**

- Gebruik geen autoclaaf of een andere stoomreiniger.
- Vermijd het gebruik van agressieve reinigingsmiddelen die zuur bevatten.
- Spuit nooit rechtstreeks met een hogedrukspuit op het product.
- Voor het desinfecteren van het oppervlak mogen desinfectiemiddelen op basis van chloor worden gebruikt volgens de productspecificatie en veiligheidsvoorschriften voor deze producten.

# Onderhoud

De verwachte levensduur van het frame voor wastafels is 10 jaar, op voorbehoud dat onderhoud wordt uitgevoerd zoals hieronder beschreven.

Het wordt aanbevolen wekelijks de motoren van het product te laten lopen tot de maximale standen door het product tot de volledige hoogte omhoog te brengen en vervolgens tot de laagste stand neer te laten, zodat de inwendige onderdelen worden gesmeerd.

Het wordt aanbevolen eenmaal per jaar een onderhoudsinspectie uit te voeren.

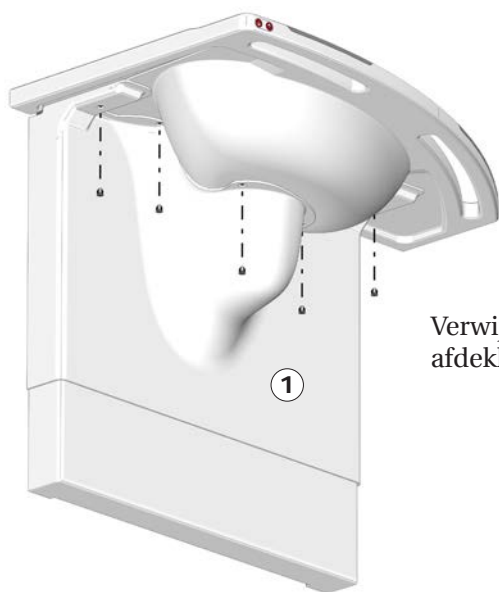
## Onderhoudsinspectie

Zet de wastafel in de hoogste stand.

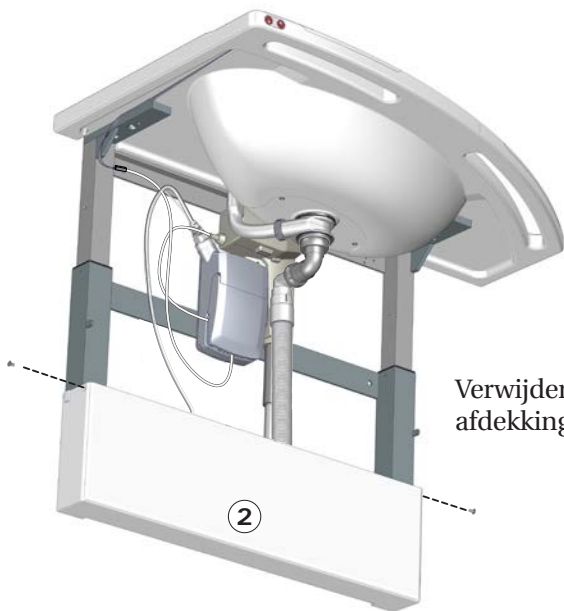
**Voor R4822, R4827, R4828, R4850, R4855, R4852 en R4857**



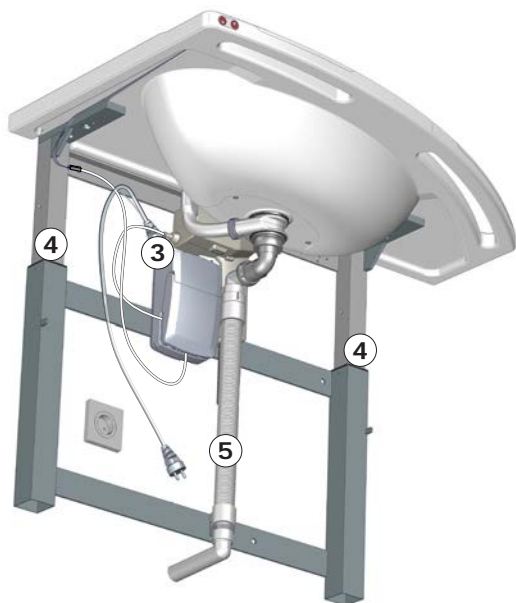
**Koppel de netvoeding van het product los voordat u de afdekkingen gaat verwijderen.**



Verwijder de schroeven en de bovenste afdekking aan de voorzijde ①.



Verwijder de schroeven en de onderste afdekking aan de voorzijde ②.



Controleer alle elektrische verbindingen ③.

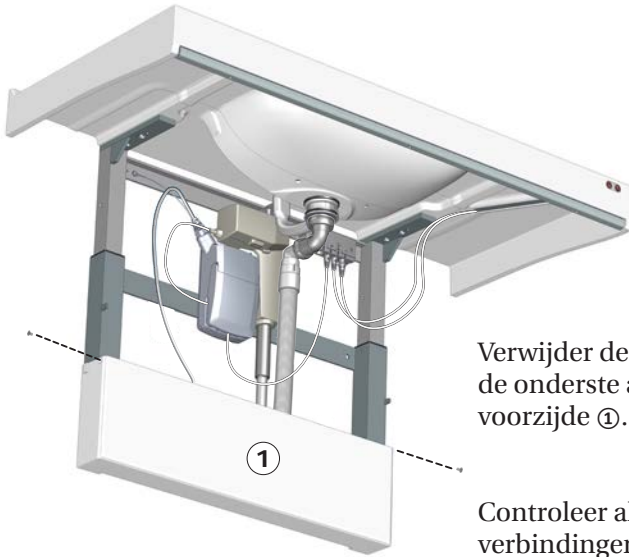
Smeer de binnenste vierkante buizen ④ en de aandrijfstang ⑤.

Plaats de afdekking aan de voorzijde en de afdekking aan de bovenzijde terug.

Sluit de netvoeding opnieuw aan.

Breng de wastafel omlaag naar de laagste stand en zet deze vervolgens weer in de hoogste stand om het smeermiddel te verdelen.

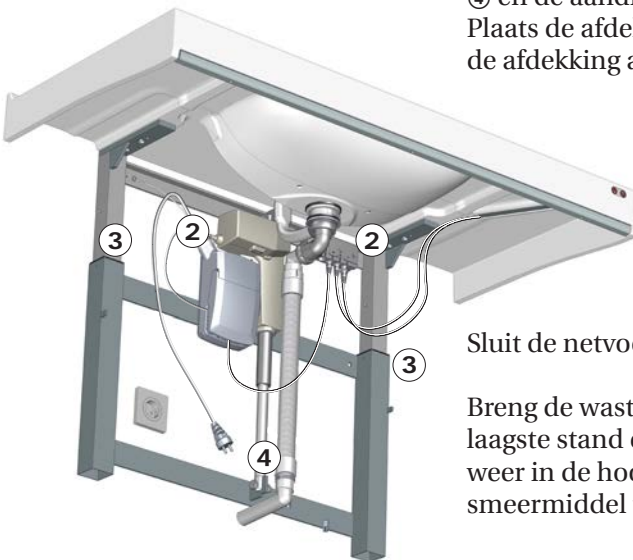
## Voor R4870 en 4875



Verwijder de schroeven en de onderste afdekking aan de voorzijde ①.

Controleer alle elektrische verbindingen ②.

Smeer de binnenste vierkante buizen ④ en de aandrijfstang ④.  
Plaats de afdekking aan de voorzijde en de afdekking aan de bovenzijde terug.



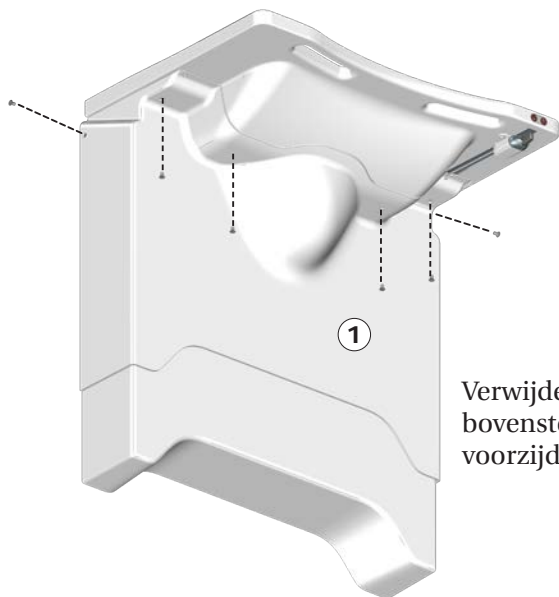
Sluit de netvoeding opnieuw aan.

Breng de wastafel omlaag naar de laagste stand en zet deze vervolgens weer in de hoogste stand om het smeermiddel te verdelen.

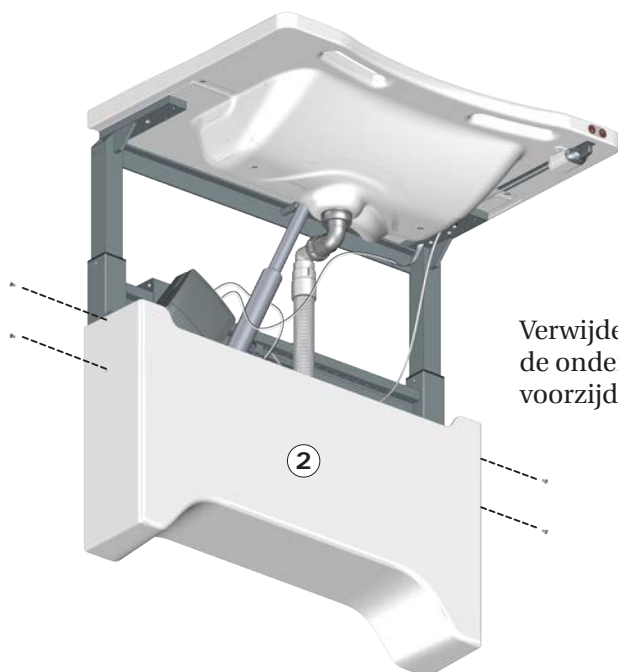


**Voor R482219, R482719, R485019, R485219, R485519,  
R485719**

Zet de wastafel in de  
hoogste stand.

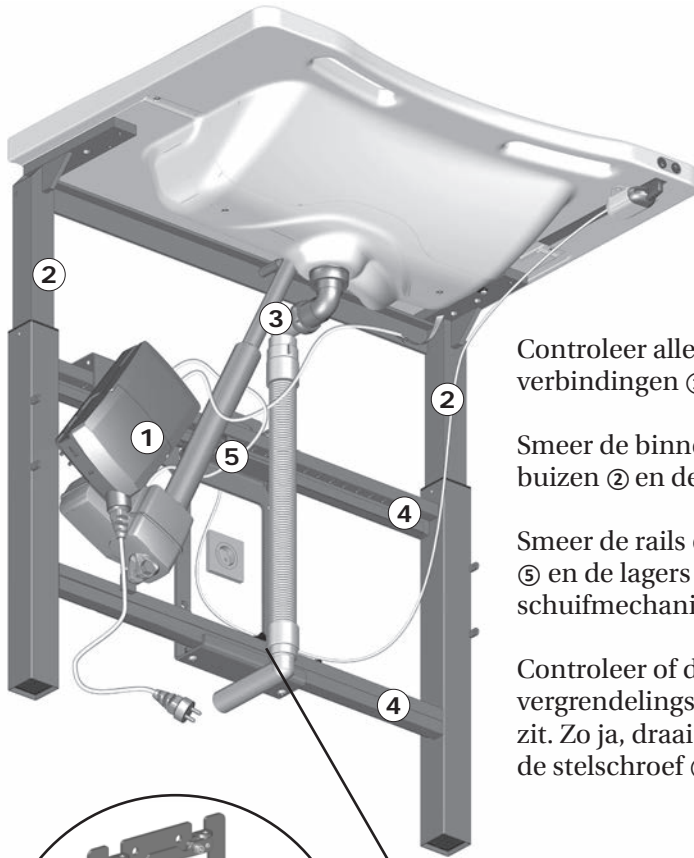


Verwijder de schroeven en de  
bovenste afdekking aan de  
voorzijde ①.



Verwijder de schroeven en  
de onderste afdekking aan de  
voorzijde ②.

nl

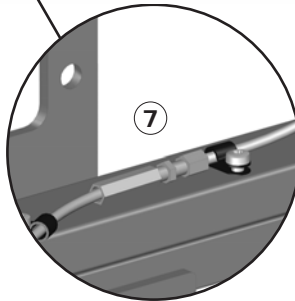
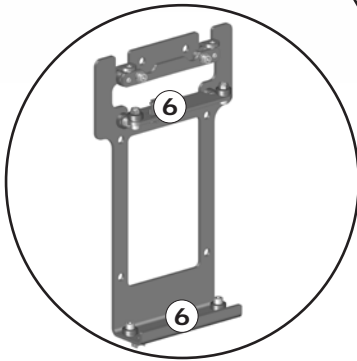


Controleer alle elektrische verbindingen ①.

Smeer de binnenste vierkante buizen ② en de aandrijfstang ③.

Smeer de rails ④, de vergrendeling ⑤ en de lagers ⑥ voor het schuifmechanisme.

Controleer of de kabel voor het vergrendelingsmechanisme te los zit. Zo ja, draai hem dan vast met de stelschroef ⑦.

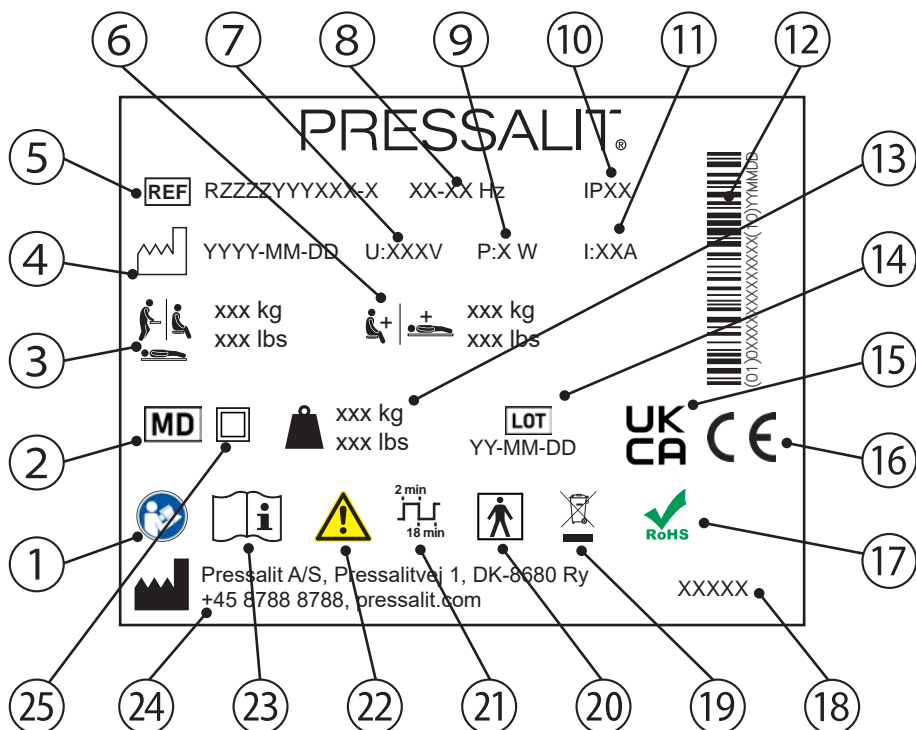


Plaats de afdekking aan de voorzijde en de afdekking aan de bovenzijde terug en sluit het lichtnet weer aan.

Breng de wastafel omlaag naar de laagste stand en zet deze vervolgens weer in de hoogste stand om het smeermiddel te verdelen.

Schuif ook het frame voor wastafels naar de uiterste posities links en rechts.

# Productlabel



① Raadpleeg de gebruikshandleiding

② Medisch hulpmiddel

③ Maximaal gewicht van gebruiker

④ Fabricagedatum

⑤ Artikelnummer

⑥ Max. belastbaarheid

⑦ Netspanning

⑧ Frequentie

⑨ Maximaal stroomverbruik

10 IP-klasse

---

11 Elektrische stroom

---

12 GS1-128-barcode

---

13 Gewicht van product

---

14 Batchcode

---

15 VK Conformiteitsbeoordeling

---

Deze producten dragen de CE-markering in overeenstemming met de relevante vereisten in:

- Verordening (EU) 2017/745 (van 5 april 2017) betreffende medische hulpmiddelen.
- Richtlijn 2006/42/EG van de Raad (van 17 mei 2006) betreffende machines.
- Richtlijn 2011/65/EG van de Raad (van 8 juni 2011) betreffende RoHS.

De conformiteitsverklaring kan worden gevonden op [www.pressalit.com](http://www.pressalit.com)

---

17 Dit product bevat geen van de gevaarlijke stoffen die worden vermeld in Europese richtlijn 2011/65/EG betreffende RoHS.

---

18 Productnaam (indien aanwezig)

---

19 Niet afvoeren met het ongesorteerd huishoudelijk afval. Het product moet afzonderlijk worden ingezameld en worden geretourneerd aan een speciale recyclingdienst.

---

20 Toegepast onderdeel van het product type BF bij normaal gebruik noodzakelijkerwijs in contact met het lichaam van de patiënt. Het product voldoet aan de vereisten van IEC 60601-1 betreffende het bieden van bescherming tegen elektrische schokken

---

21 Levenscyclus

---

22 Raadpleeg de handleiding voor belangrijke waarschuwingeninformatie, zoals waarschuwingen en voorzorgsmaatregelen

---

23 Raadpleeg de gebruikshandleiding

---

24 Naam en adres van fabrikant

---

25 Dubbel geïsoleerd elektrisch apparaat

---

# Probleemoplossing

Symptoom	Oorzaak	Actie
Bedieningsknoppen werken niet.	Storing in voedings-eenheid.	Controleer of alle snoeren en stekkers intact zijn en goed zijn aangesloten. Neem contact op met Pressalit A/S of uw plaatselijke dealer.
Het product beweegt ongelijkmatig omhoog en omlaag.	De binnenste buizen zijn niet goed gesmeerd.	Smeer de binnenste buizen zoals beschreven in "Onderhoud".
Het product kan niet zijdelings worden verplaatst.	Slangen of kabels kunnen vastzitten.	Verwijder de afdekking(en) en controleer of er iets vastzit.
	Het vergrendelingsmechanisme kan vastzitten.	Controleer de vergrendeling en de kabel zoals beschreven onder "Onderhoud".
Veiligheids-systeem werkt niet.	Defecte schakelaars.	Controleer of een of meer contacten van het veiligheidssysteem vastzitten. Zo ja, probeer deze dan te ontwarren. Vervang het contact/de contacten als het probleem niet kan worden verholpen. Het veiligheidssysteem werkt uitsluitend wanneer stroom kan worden gedetecteerd. Vergeet niet het systeem opnieuw in te stellen zoals beschreven in "Het frame voor de wastafel opnieuw instellen".

Neem contact op met Pressalit of uw dealer als het probleem niet kan worden verholpen. Probeer niet zelf het product te repareren, omdat de garantie hierdoor komt te vervallen.

# Elektromagnetische compatibiliteit

Het apparaat is geschikt voor gebruik thuis, in kinderdagverblijven, in dagcentra voor personen met een lichamelijke of geestelijke handicap of in ziekenhuizen, behalve in de nabijheid van actieve HF-chirurgische apparatuur en RF-afgeschermde ruimten met medische systemen voor MRI met een hoge intensiteit van elektromagnetische storingen.


Het apparaat heeft geen functie die verband houdt met basisveiligheid of essentiële prestaties. In het geval van prestatieverlies of verslechtering veroorzaakt door elektromagnetische storingen, blijft de veiligheid van de gebruiker onaangetast.

Kabel	Lengte
Stroomkabel	3,2 m (126")
Handbediening spiraalkabel	Ca. 5 m (197") uitgerekt

## WAARSCHUWING


- Het gebruik van andere accessoires, omzeters en kabels dan die welke door de fabrikant zijn gespecificeerd of geleverd, kan resulteren in verhoogde elektromagnetische emissies of verminderde elektromagnetische immuniteit van deze apparatuur en een onjuiste werking tot gevolg hebben.
- Draagbare RF-communicatieapparatuur (met inbegrip van randapparatuur zoals antennekabels en externe antennes) mag niet dichter dan 30 cm (12 inches) bij enig deel van het apparaat met inbegrip van de kabels, worden gebruikt om verslechtering van de prestaties van dit apparaat te voorkomen.
- Het gebruik van deze apparatuur naast of gestapeld op andere apparatuur dient te worden vermeden omdat dit kan leiden tot een onjuiste werking. Indien gebruik op deze wijze noodzakelijk is, moeten deze apparatuur en de andere apparatuur worden gecontroleerd om na te gaan of deze normaal functioneren.

## Elektromagnetische immuniteit

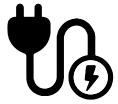
<b>Elektrostatische ontlading</b>	
	De elektrische ontlading tussen de persoon en het product mag geen zodanige gevolgen hebben dat daardoor acties in gang worden gezet of dat onderdelen defect raken.
<b>Testnorm</b>	<b>Testniveau immuniteit</b>
EN 61000-4-2	+/- 8 kV contact +/- 2, 4, 8, 15 kV lucht

<b>Uitgestraald radio-elektromagnetisch veld</b>	
	Het product mag niet worden beïnvloed door Rf-signalen, bijvoorbeeld van een mobiele telefoon of radio, waardoor het product in actie kan komen of onderdelen defect kunnen raken.
<b>Testnorm</b>	<b>Testniveau immuniteit</b>
EN 61000-4-3	15 V/m 80 MHz to 1000 MHz 15 V/m 1,01 GHz tot 6 GHz 80 % AM 1 kHz

## Immuniteit voor nabijheidsvelden van draadloze RF-communicatieapparatuur

	Het product mag niet worden beïnvloed door Rf-signalen, bijvoorbeeld van een mobiele telefoon of radio, waardoor het product in actie kan komen of onderdelen defect kunnen raken.
<b>Testnorm</b>	<b>Testniveau immuniteit</b>
EN 61000-4-3*	385 MHz, 27 V/m, 18 Hz PM (50 % levenscyclus blokgolf) 450 MHz, 28 V/m, FM +/- 5 kHz deviatie, 1 kHz sine 710 MHz, 9 V/m, 217 Hz PM (50 % levenscyclus blokgolf) 745 MHz, 9 V/m, 217 Hz PM (50 % levenscyclus blokgolf) 780 MHz, 9 V/m, 217 Hz PM (50 % levenscyclus blokgolf) 810 MHz, 28 V/m, 18 Hz PM (50 % levenscyclus blokgolf) 870 MHz, 28 V/m, 18 Hz PM (50 % levenscyclus blokgolf) 930 MHz, 28 V/m, 18 Hz PM (50 % levenscyclus blokgolf) 1720 MHz, 28 V/m, 217 Hz PM (50 % levenscyclus blokgolf) 1845 MHz, 28 V/m, 217 Hz PM (50 % levenscyclus blokgolf) 1970 MHz, 28 V/m, 217 Hz PM (50 % levenscyclus blokgolf) 2450 MHz, 28 V/m, 217 Hz PM (50 % levenscyclus blokgolf) 5240 MHz, 9 V/m, 217 Hz PM (50 % levenscyclus blokgolf) 5500 MHz, 9 V/m, 217 Hz PM (50 % levenscyclus blokgolf) 5785 MHz, 9 V/m, 217 Hz PM (50 % levenscyclus blokgolf)

## Snelle elektrische transiënten/lawine

	Het product mag niet worden beïnvloed door snelle pulssignalen via de kabel. Hierdoor kunnen de onderdelen defect raken, of kan het product worden ingeschakeld.
<b>Testnorm</b>	<b>Testniveau immuniteit</b>
EN 61000-4-4	+/- 1 kV, +/- 2 kV 100 kHz herhalingsfrequentie



## Overspanningsimmunititeit



Het product mag niet worden aangetast om acties in gang te zetten of om onderdelen te beschadigen als gevolg van blikseminslag.

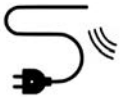
### Testnorm

### Testniveau immunititeit

EN 61000-4-5

Kabel-naar-kabel: +/- 0,5 kV, +/-1 kV  
Kabel-naar-grond: +/- 0,5 kV, +/-1 kV, +/- 2 kV (N/A)

## Immunititeit voor geleide storingen veroorzaakt door RF-velden



De draden mogen niet worden beïnvloed door andere RF-velden waardoor acties in gang worden gezet of onderdelen defect raken.

### Testnorm

### Testniveau immunititeit

EN 61000-4-6

3 V (6 V in ISM-banden en amateurradiobanden)  
0,15 to 80 MHz, 80 % AM at 1 kHz

## Immunititeit voor magnetische velden bij stroomfrequentie



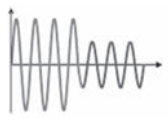
Het product mag niet worden aangetast om acties in gang te zetten of om onderdelen te beschadigen als gevolg van magnetische velden.


### Testnorm

EN 61000-4-8

30 A/m, 60 Hz


## Spanningsdalingen

	Het product mag geen acties in gang zetten of beperken als gevolg van een daling in de stroomvoorziening.
<b>Testnorm</b>	<b>Testniveau immuniteit</b>
EN 61000-4-11	0 % $U_T$ ; 0,5 cyclus bij 0°, 45°, 90°, 135°, 180°, 225°, 270° en 315° 0 % $U_P$ ; 1 cyclus bij 0° 70 % $U_P$ ; 25 cycli bij 0° Enkelfasig op 0°

<b>Spanningsonderbrekingen</b>	
	Het product mag geen acties in gang zetten of beperken als gevolg van een kortstondige stroomvoorzieningsstop.
<b>Testnorm</b>	<b>Testniveau immuniteit</b>
EN 61000-4-11	0 % $U_P$ ; 300 cycli

## Elektromagnetische emissie

<b>Geleide RF-emissie</b>	
	Het product mag niet te veel ruis het stroomnet in sturen. Dit kan leiden tot verstoringen van andere producten.
<b>Testnorm</b>	<b>Emissietestklasse en -groep</b>
EN 55011	Klasse B, groep 1

<b>Uitgestraalde RF-emissie</b>	
	Het product mag in de ruimte geen RF-signalen uitzenden. Dit kan leiden tot verstoringen van andere producten.
<b>Testnorm</b>	<b>Emissietestklasse en -groep</b>
EN 55011	Klasse B, groep 1

<b>Geharmoniseerde stroom-missies</b>	
	Het product mag niet onbedoeld stroom aan het net onttrekken.
<b>Testnorm</b>	<b>Emissietestklasse en -groep</b>
IEC 61000-3-2	Klasse A

<b>Spanningswisselingen, spanningsschommelingen en flikkering</b>	
	Het product mag geen invloed hebben op andere producten wanneer deze op het net is aangesloten. Dit kunnen bijvoorbeeld lampjes zijn die gaan knipperen en zo mensen in de ruimte storen.
<b>Testnorm</b>	<b>Emissietestklasse en -groep</b>
EN 61000-3-3	Getest volgens de norm.

# Technische gegevens

Materialen	Roestvrij staal met poedercoating. Kunststof (PVC, polystyreen, ABS).
IP-klasse	De elektrische onderdelen beschikken over beschermingsgraad IPX6 tegen binnendringing. Het product mag niet in water worden ondergedompeld, maar is ontworpen om krachtige stralen water (spuitmond van 12,5 mm) uit elke richting te weerstaan.
Gemeten geluidsdruk niveau	48 dB

## Opslag en transport



- De temperatuur voor transport en opslag van het apparaat moet tussen de -10 en 50 graden Celsius/14 en 122 graden Fahrenheit zijn.
- Het apparaat dient altijd in de originele verpakking te worden getransporteerd.
- Stel de verpakking niet bloot aan schokken en stoten.
- Gebruik het product niet als de verpakking kapot of beschadigd is.

# Afvoer en recycling

De eenheid bevat herbruikbare materialen. Er zijn geen bekende gevaren of risico's gekoppeld aan het afvoeren van het product. Alle onderdelen kunnen na reiniging en desinfectie worden afgevoerd.

We raden u aan het product bij afvoer te demonteren en onder te verdelen in afvalgroepen voor recycling of verbranding.

De volgende tabel biedt informatie over het recyclen en hanteren van het product.

<b>Recyclebare onderdelen</b>	<b>Materiaal</b>
Staal	Staal kan worden gerecycled door het te smelten en te gebruiken als secundair materiaal bij de productie van nieuw staal.
Kunststof	Gebruik sorteer- en recyclingsystemen voor kunststof wanneer deze lokaal beschikbaar zijn. Het verbranden van kunststof kan in andere gevallen worden gebruikt voor het opwekken van energie die bijvoorbeeld kan worden gebruikt voor cogeneratie.
Elektronica	De elektronische onderdelen moeten afzonderlijk worden ingezameld en worden geretourneerd aan een speciale recyclingdienst.

# Innehåll

Monteringsinstruktion	143
Symboler som används i manualen	144
Allmän säkerhetsinformation	145
Säkerhetsavstånd	146
Avsedd användning	148
Användare	148
Avsedd för	148
Användningsmiljö	148
Kontraindikationer för användning	148
Användningsinstruktioner	149
Justering i sidled	150
Säkerhetsskena	151
Återställa upphängningen till tvättstället	151
Rengöring	152
Underhåll	153
Underhållsinspektion	153
Produktetikett	158
Åtgärda fel	160
Elektromagnetisk kompatibilitet	161
Elektromagnetisk immunitet	162
Elektromagnetisk emission	166
Teknisk information	167
Förvaring och transport	167
Kassering och återvinning	168

SV

## Monteringsinstruktion



En monteringsinstruktion medföljer den här produkten. Den går även att ladda ned på [pressaliticare.com](http://pressaliticare.com).

# Symboler som används i manualen

Följande symboler används i manualen samt i övrig dokumentation som medföljer produkten.

 <b>VARNING</b>		<b>VARNING</b> indikerar en potentiellt farlig situation som kan orsaka dödsfall eller allvarlig skada om den inte undviks.	
 <b>VAR FÖRSIKTIG</b>		<b>VAR FÖRSIKTIG</b> indikerar en potentiellt farlig situation som kan orsaka mindre eller måttlig skada om den inte undviks. Kan också användas för att varna för osäker hantering.	
<b>VIKTIGT</b>		<b>VIKTIGT</b> indikerar viktig information om hantering och användning av produkten.	
<b>OBS</b>		<b>OBS</b> används för att informera om hantering som inte är relaterad till personlig säkerhet.	
 Varning för huvudskada	 Varning för handskada	 Varning för skada på genitalierna	 Varning för fotskada
 Varning för elektricitet/ spänning	 Kompatibla produkter	 Artikelnummer/ versioner	 Specifikationer för strömförsörjning
 Produktvikt	 Användarens maxvikt		

## Allmän säkerhetsinformation

### **VARNING**

- Se till att du har läst och förstått manualen fullständigt innan du använder produkten. Förvara manualen nära produkten.
- Följ anvisningarna i manualen för att undvika olyckor som kan orsaka allvarliga personskador.
- Använd aldrig produkten på något annat sätt än vad som beskrivs i den här manualen eftersom du då riskerar att skada både dig själv och produkten.
- Se till att alla personer som ska installera eller använda produkten och de tillhörande systemen har fått den information som behövs samt att de har tillgång till manualen.

### **VAR FÖRSIKTIG**

- Följ anvisningarna för att undvika att produkten skadas eller förstörs.
- Försök inte reparera, demontera, montera eller göra tillägg till produkten eller ändra den på något sätt. Sådana åtgärder får endast utföras av Pressalit eller av personer som fått behörighet av Pressalit.
- Låt aldrig barn använda produkten ensamma. Den är inte avsedd för lek.
- Använd aldrig produkten om den är trasig eller skadad. Vänta med att använda en defekt produkt tills den har reparerats.

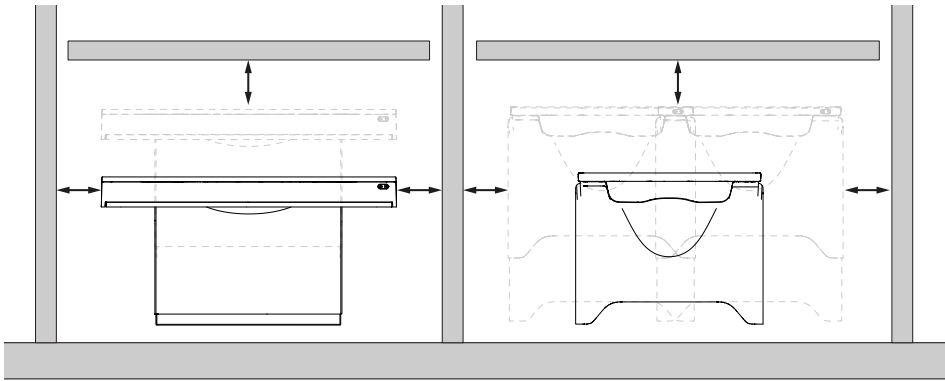
### **OBS**







- Informationen i den här manualen är baserad på att produkten är korrekt monterad enligt våra anvisningar.
- Pressalit tar inget ansvar för eventuella fel som uppstår om produkten används på något annat sätt än vad som beskrivs i manualen.
- Vi förbehåller oss rätten att göra ändringar i manualen utan att meddela detta i förväg.



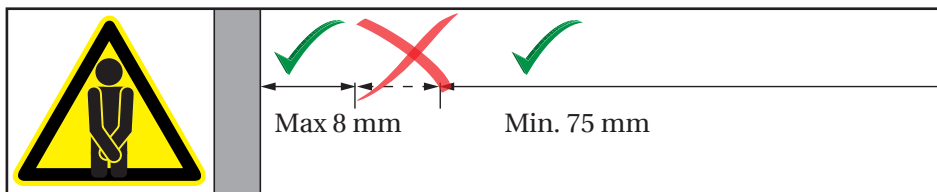
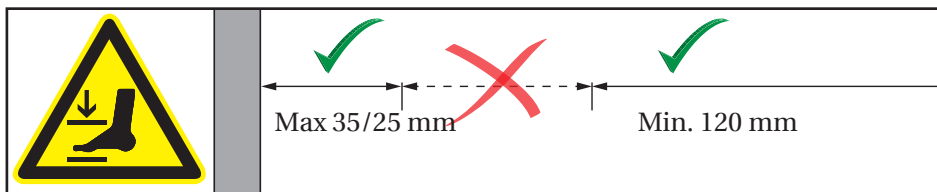
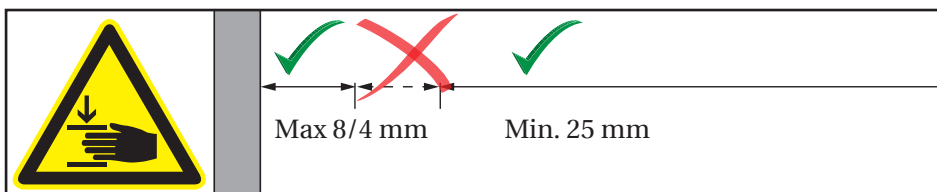
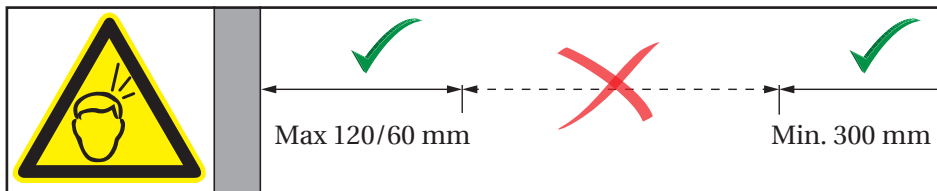
# Säkerhetsavstånd

Se till att upphängningen till tvättstället är på säkert avstånd från omgivande föremål. Kontrollera avståndet innan användning.



ISO 17966:2016		
	Max 120 mm Min. 300 mm	Max 60 mm Min. 300 mm
	Max 8 mm Min. 25 mm	Max 4 mm Min. 25 mm
	Max 35 mm Min. 120 mm	Max 25 mm Min. 120 mm
	Max 8 mm Min. 75 mm	Max 8 mm Min. 75 mm

SV



 **VARNING**

Om enheten är i rörelse inom säkerhetsavstånden måste du vara särskilt uppmärksam på personer och föremål som finns i närheten för att undvika risken för klämskador.

## Avsedd användning

Den här produkten är avsedd att ge optimala ergonomiska förutsättningar för att använda ett tvättställ, för både sittande och stående användare med funktionsnedsättning.

### Användare

Produkten kan användas av alla – vuxna, barn, unga och gamla.

### Avsedd för

Produkten kan användas av alla – vuxna, barn, unga och gamla.

### Användningsmiljö

För användning inomhus i våtrumsmiljö, till exempel ett badrum. Produkten är avsedd för användning i rumstemperatur i privata hem, på vårdhem och sjukhus under normala arbetsförhållanden.

### Kontraindikationer för användning

Personer som inte klarar av att hålla balansen i upprätt läge bör inte använda den här upphängningen till tvättstället.



**VAR FÖRSIKTIG**

Ytan på den här produkten kan bli mycket varm eller kall om den utsätts för värme eller kyla från externa källor (t.ex. solsken eller frost).

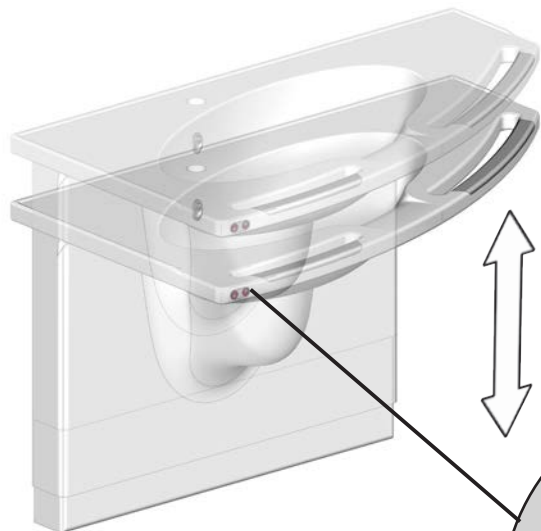
SV

**OBS**

Eventuella allvarliga incidenter som inträffar i samband med produkten ska rapporteras till tillverkaren och till berörda hälsomyndigheter.

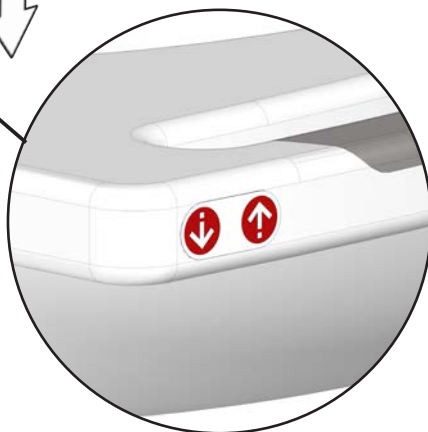
# Användningsinstruktioner

Upphängningen till tvättstället i modellerna R4822, R4827, R4828, R4850, R4855, R4852, R4857, R4870 och R4875 kan justeras 200 mm uppåt och nedåt. **Maximal belastning är 150 kg.**



Höjjusteringen utförs via kontrollknappar på framsidan av tvättstället.

Tryck på upp-knappen och håll ned den för att höja tvättstället och tryck på ned-knappen och håll ned den för att sänka det. Höjningen/sänkningen stoppas när du släpper knappen.



SV



**Se till att du inte skadar händerna när du är i närheten av rörliga mekaniska delar.**

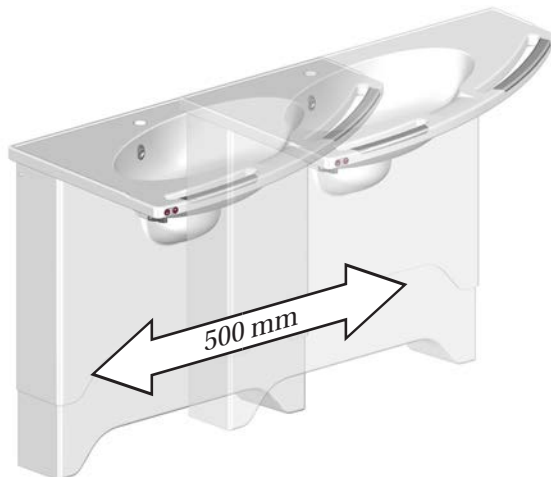
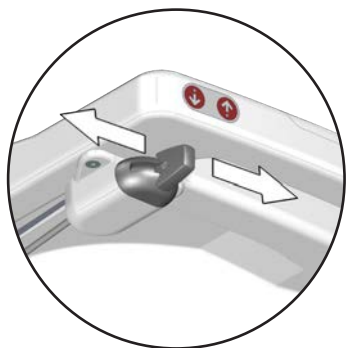


**VAR FÖRSIKTIG**

Placera aldrig föremål under tvättstället.

## Justering i sidled

Upphängningen till tvättstället i modellerna R482219, R482719, R485019, R485519, R485219 och R485719 kan justeras 300 mm uppåt och nedåt, och även totalt 500 mm till antingen vänster eller höger.



### **Maximal belastning är 150 kg.**

Lås upp glidmekanismen genom att trycka sideojusteringsknappen åt antingen vänster eller höger och hålla ned den.

Ta tag i handtagen på tvättstället och tryck upphängningen till tvättstället åt antingen vänster eller höger. Upphängningen glider lätt, så du behöver inte använda mycket kraft.

När upphängningen till tvättstället är i önskad position släpper du upp sideojusteringsknappen så låses upphängningen fast med ett hörbart klick.



## **VAR FÖRSIKTIG**

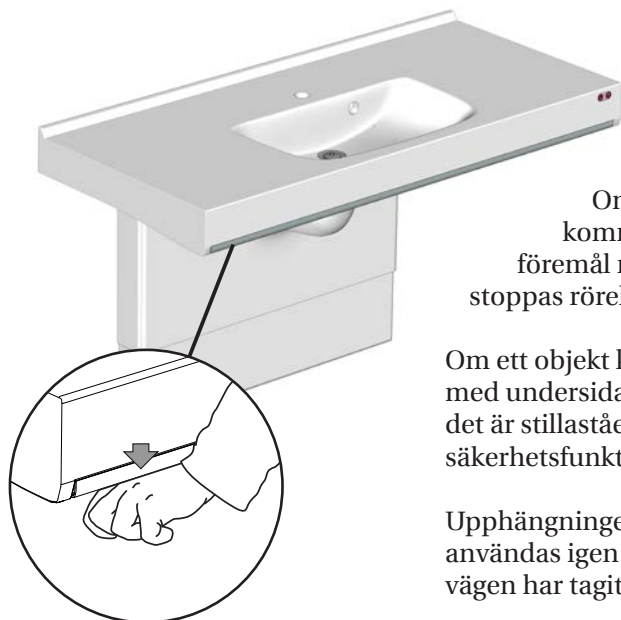
Säkerställ att låsmekanismen är korrekt fasthakad innan användning eller höjjustering. Det gör du genom att trycka upphängningen till tvättstället åt höger eller vänster tills du hör ett klick.



**Se upp så att du inte skadar fötterna när du flyttar upphängningen till tvättstället i sidled**

# Säkerhetsskena

Tvättställsupphängningarna **R4870** och **R4875** är försedda med en säkerhetsskena.



Om säkerhetsskenan kommer i kontakt med ett föremål när tvättstället sänks stoppas rörelsen omedelbart.

Om ett objekt kommer i kontakt med undersidan av tvättstället när det är stillastående så aktiveras säkerhetsfunktionen och tvättstället höjs.

Upphängningen till tvättstället kan användas igen så snart föremålet som är i vägen har tagits bort.

## Återställa upphängningen till tvättstället

Om upphängningen till tvättstället har klämts fast kan du försöka återställa den.

- ① Kontrollera att säkerhetsskenan inte är aktiverad. Sänk ned upphängningen till tvättstället hela vägen till startpositionen.
- ② Släpp ned-knappen och tryck på den igen efter 3–4 sekunder tills du hör ett klick efter ungefär 10 sekunder.
- ③ Släpp ned-knappen och höj sedan upphängningen till tvättstället till den högsta positionen. Då hörs ett till klick.
- ④ Sänk upphängningen till tvättstället några centimeter.
- ⑤ Höj den igen till den högsta positionen. Då hörs ett till klick. Upphängningen till tvättstället har nu återställts. Upphängningen till tvättstället ska även återställas om det har varit ett avbrott i strömförsörjningen.

# Rengöring

Produkten ska rengöras med varmt vatten eller ett mild tvålbaserat rengöringsmedel.

Information om vilka rengöringsprodukter som har testats och godkänts av Pressalit för den specifika produkten finns på [pressalit.com](http://pressalit.com) under produktens artikelnummer.

Pressalit rekommenderar rengöring av produkten efter installation.



**VAR FÖRSIKTIG**

Läs alltid materialsäkerhetsdatabladet (MSDS) och de medföljande anvisningarna till det aktuella rengörings-, desinficerings- eller avkalkningsmedlet avseende säker användning, spädning, sköljning, torkning, hantering och förvaring.

**VIKTIGT**

- Använd inte en autoklav eller någon annan typ av ångtvätt för rengöring.
- Undvik aggressiva rengöringsmedel som innehåller syror.
- Spruta aldrig med högtryckstvätt direkt på produkten.
- För rengöring av ytan kan klorbaserade desinficeringsmedel användas enligt produktspecifikationen och säkerhetsföreskrifterna för de här produkterna.

# Underhåll

Den förväntade användningstiden för upphängningen till tvättstället är 10 år, förutsatt att underhåll utförs enligt anvisningarna nedan.

Vi rekommenderar att du varje vecka kör motorerna till maxpositionerna genom att du först lyfter produkten till maxhöjd och sedan sänker den till sin lägsta position så att de interna delarna smörjs.

Vi rekommenderar att en underhållsinspektion utförs varje år.

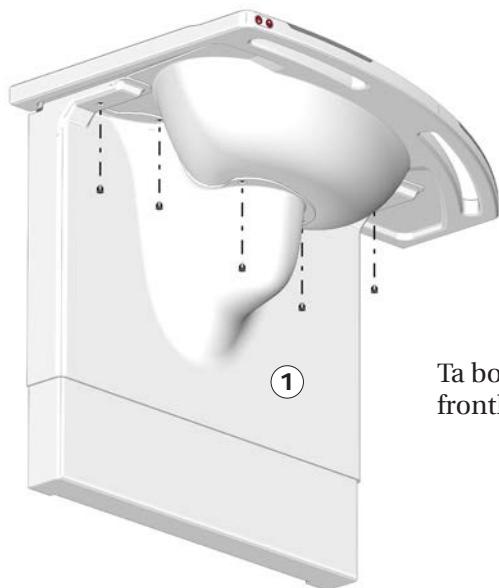
## Underhållsinspektion

Höj tvättstället till sin högsta position.



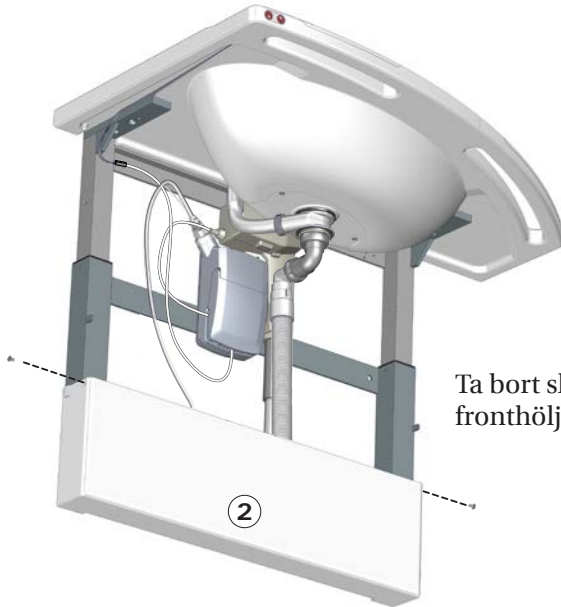
**Koppla från anslutningen till elnätet innan du tar bort höljena.**

**För R4822, R4827, R4828, R4850, R4855, R4852 och R4857**

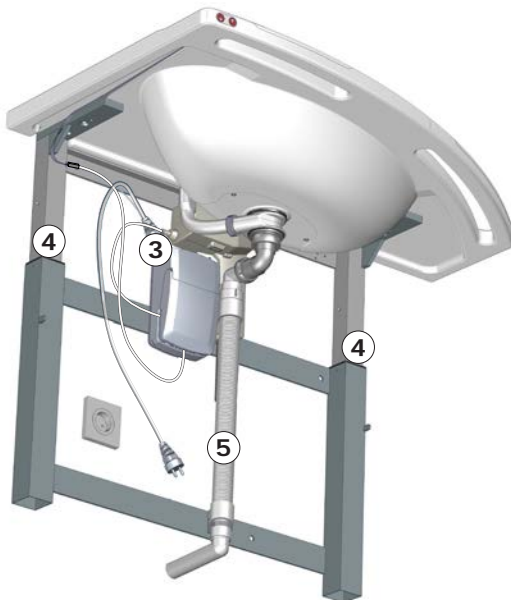


Ta bort skruvarna och det övre fronthöljet ①.





Ta bort skruvarna och det nedre fronthöljet ②.



Kontrollera alla elektriska anslutningar ③.

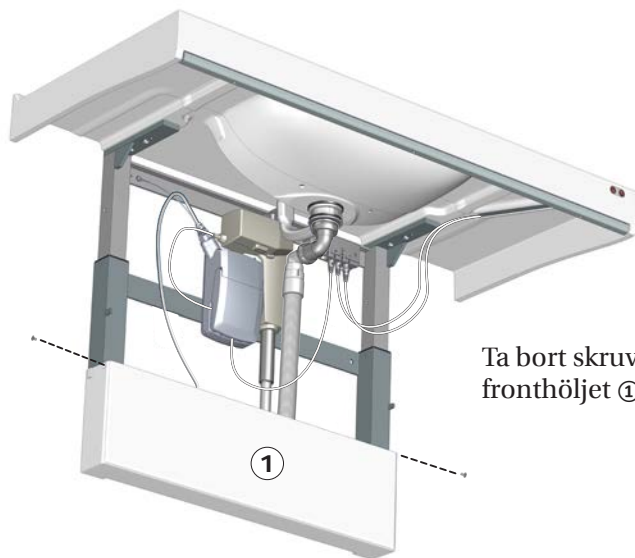
Smörj de invändiga kvadratiska rören ④ och kolvstängan ⑤.

Sätt tillbaka fronthöljet och det övre höljet.

Koppla in anslutningen till elnätet igen.

Sänk tvättstället till sin lägsta position och kör det sedan till sin högsta position igen för att smörjmedlet ska fördelas jämnt.

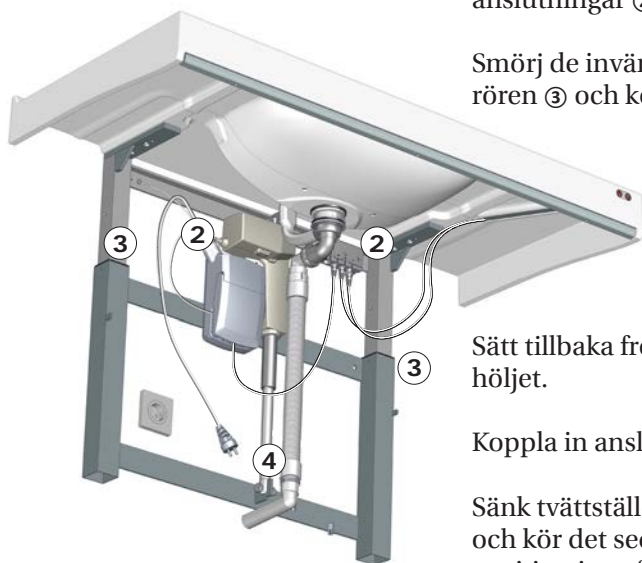
## För R4870 och 4875



Ta bort skruvarna och det nedre fronthöljet ①.

Kontrollera alla elektriska anslutningar ②.

Smörj de invändiga kvadratiska rören ③ och kolvstången ④.



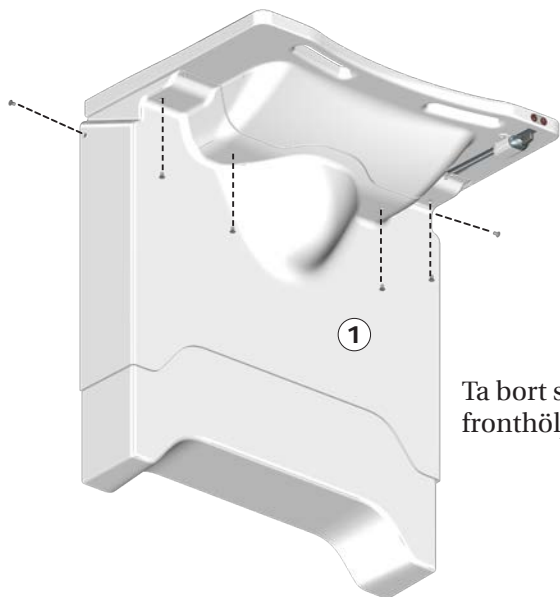
Sätt tillbaka fronthöljet och det övre höljet.

Koppla in anslutningen till elnätet igen.

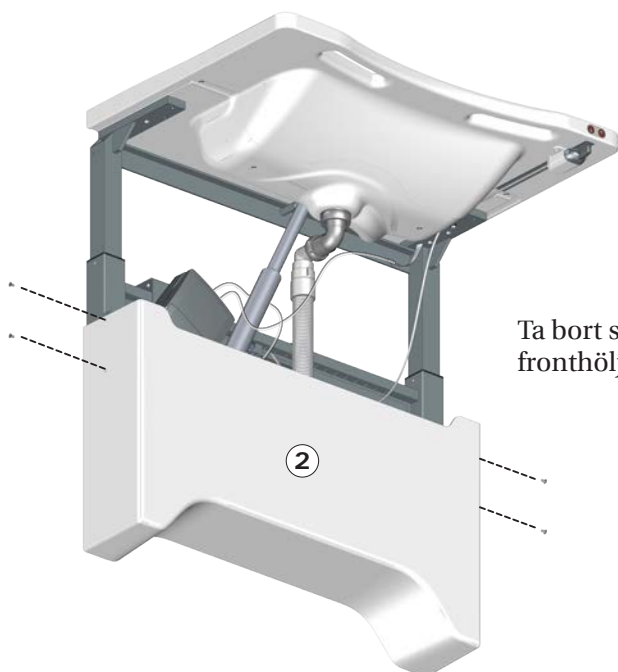
Sänk tvättstället till sin lägsta position och kör det sedan till sin högsta position igen för att smörjmedlet ska fördelas jämnt.

**För R482219, R482719, R485019, R485219, R485519, R485719**

Höj tvättstället till sin högsta position.

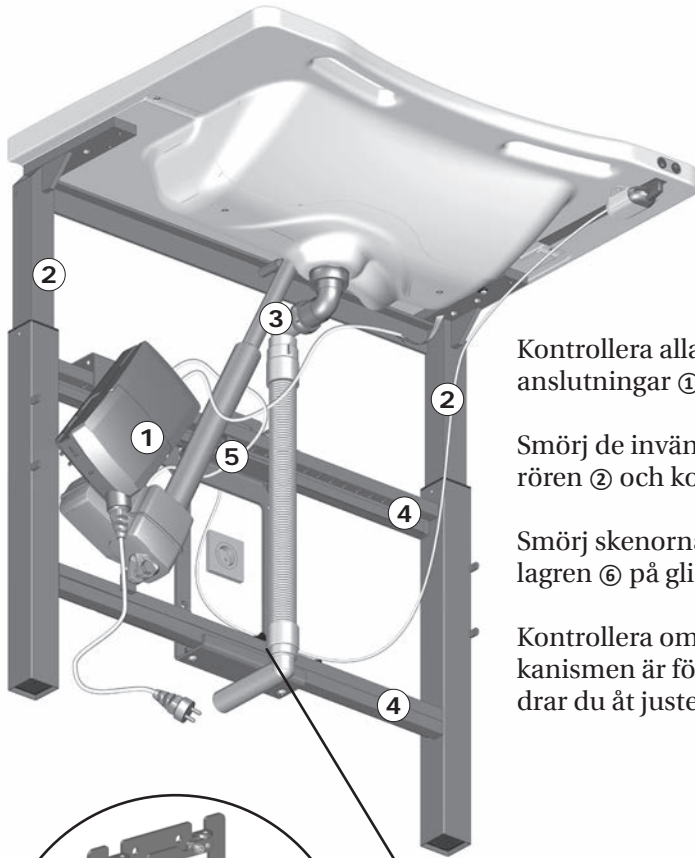


Ta bort skruvarna och det övre fronthöljet ①.



Ta bort skruvarna och det nedre fronthöljet ②.

SV

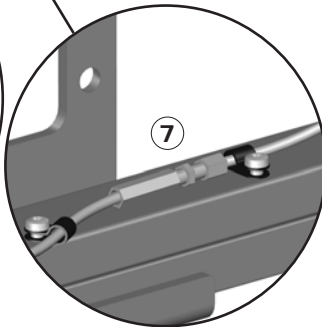
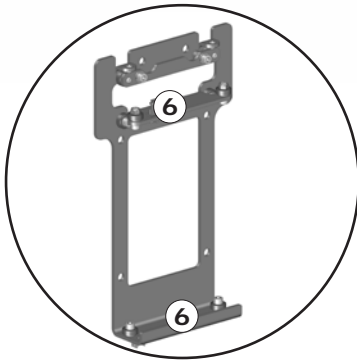


Kontrollera alla elektriska anslutningar ①.

Smörj de invändiga kvadratiska rören ② och kolvstången ③.

Smörj skenor ④, spärren ⑤ och lagren ⑥ på glidmekanismen.

Kontrollera om kabeln till låsme-  
kanismen är för lös. Om den är det  
drar du åt justeringskruven ⑦.



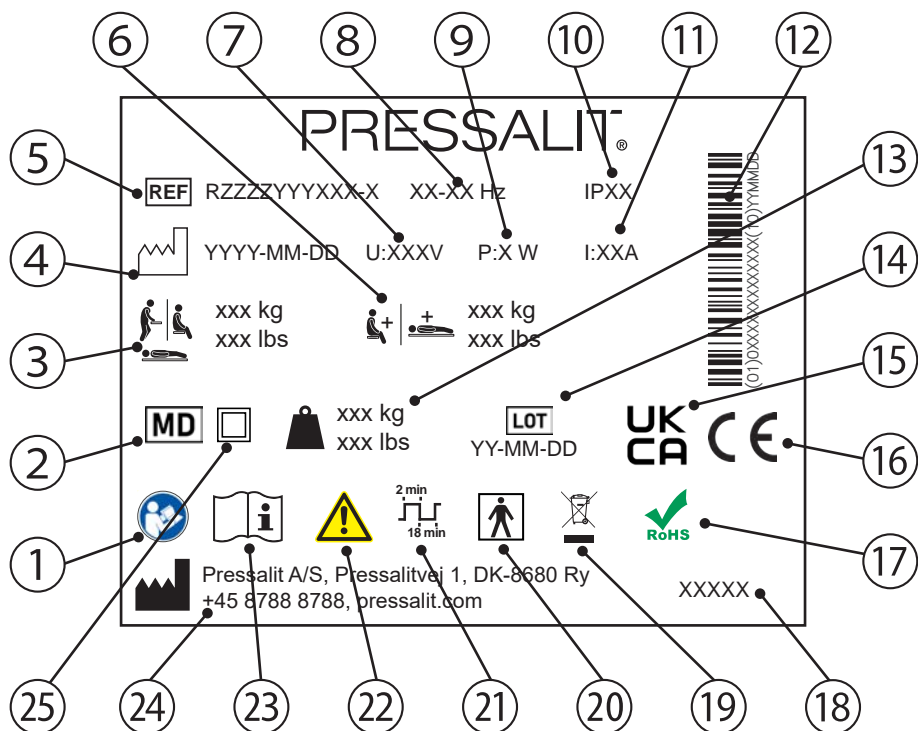
SV

Sätt tillbaka fronthöljet och det övre höljet och koppla in anslutningen till elnätet igen.

Sänk tvättstället till sin lägsta position och kör det sedan till sin högsta position igen för att smörjmedlet ska fördelas jämnt.

Skjut även upphängningen till tvättstället till positionen längst till vänster och längst till höger.

# Produktetikett



1 Läs manualen för att få anvisningar om användning.

2 Medicinsk utrustning

3 Användarens maxvikt

4 Tillverkningsdatum

5 Artikelnummer

6 Max. belastning

7 Nätspänning

8 Frekvens

9 Maximal energiförbrukning

SV

⑩ IP-klass

---

⑪ Elektrisk ström

---

⑫ Streckkod GS1-128

---

⑬ Produktvikt

---

⑭ Batchkod

---

⑮ UKCA-märkt

---

De här produkterna är CE-märkta i enlighet med relevanta krav i:

- Förordning (EU) 2017/745 (av den 5 april 2017) om medicintekniska produkter.

⑯ • Maskindirektivet 2006/42/EG (av den 17 maj 2006).

- RoHS-direktivet 2011/65/EG (av den 8 juni 2011).

En försäkran om överensstämmelse finns på [pressalit.com](http://pressalit.com).

---

⑰ Produkten innehåller inga av de farliga ämnen som är angivna i RoHS-direktivet 2011/65/EG.

---

⑱ Produktnamn (om tillämpligt)

---

⑲ Produkten får inte kasseras som vanligt hushållsavfall. Avfallssortera de olika delarna och lämna in dem för återvinning på därför avsedd plats.

---

⑳ Typ BF-del. En del av produkten kommer att komma i fysisk kontakt med patienten vid normal användning. Produkten uppfyller kraven i IEC 60601-1 och är därmed skyddad mot elektriska stötar.

---

㉑ Arbetscykel

---

㉒ Läs manualen för att få veta innebörden i viktig säkerhetsinformation som varningar och försiktighetsåtgärder.

---

㉓ Läs manualen för att få anvisningar om användning.

---

㉔ Tillverkarens namn och adress.

---

㉕ Dubbelisolerad elektrisk apparat.

---

## Åtgärda fel

Symptom	Orsak	Åtgärd
Kontrollknapparna fungerar inte.	Fel på strömförsörjningen.	Kontrollera att alla kablar och kontakter är oskadade och anslutna på rätt sätt. Kontakta Pressalit A/S eller din lokala återförsäljare.
Det går hackigt när produkten flyttas uppåt och nedåt.	De invändiga kvadratiska rören behöver smörjas.	Smörj de invändiga kvadratiska rören enligt anvisningarna i "Underhåll".
Produkten kan inte flyttas i sidled.	Slangar eller kablar kan ha fastnat.	Ta bort höljen och undersök om något har fastnat under dem.
	Låsmekanismen kan ha fastnat.	Kontrollera låset och kabeln enligt beskrivningen i "Underhåll".
Säkerhetssystemet fungerar inte.	Fel på omkopplarna.	Kontrollera om en eller flera av säkerhetssystemets kontakter har fastnat, och försök åtgärda detta om så är fallet. Byt ut kontakterna om det inte går att åtgärda problemet. Säkerhetssystemet fungerar endast om ström kan detekteras. Kom ihåg att återställa enligt beskrivningen under "Återställa upphängningen till tvättstället".

Kontakta Pressalit eller din återförsäljare om du inte kan åtgärda problemet. Försök inte reparera produkten själv eftersom det gör att garantin upphör att gälla.

# Elektromagnetisk kompatibilitet

Produkten är lämplig för användning i hemmet, på vårdhem, på vårdhem för personer med fysisk eller psykisk funktionsnedsättning eller på sjukhus förutom i närheten av aktiv kirurgisk HF-utrustning och RF-avskärmade rum med medicinska system för magnetisk resonanstomografi med hög intensitet av elektromagnetiska störningar.

Produkten har ingen funktion som är relaterad till grundläggande säkerhet eller prestanda som kan påverka hälsan. Om produkten slutar fungera eller om dess prestanda försämras på grund av elektromagnetiska störningar så förblir användarens säkerhet opåverkad.


Kabel	Längd
Nätkabel	3,2 m
Spiralkabel till manöverdosan	Ungefär 5 m utdragen


## **VARNING**

- Användning av andra tillbehör, omvandlare och kablar än de som är specificerade eller som tillhandahålls av tillverkaren kan orsaka ökad elektromagnetisk emission eller försämrade elektromagnetisk immunitet för den här utrustningen vilket kan resultera i felaktig funktion.
- Bärbar utrustning för RF-kommunikation (inklusive tillbehör som antennkablar och externa antenner) ska inte användas närmare än 30 cm från någon del av produkten (inklusive dess kablar) för att undvika att produktens prestanda försämras.
- Använd inte den här produkten bredvid eller ovanpå annan utrustning eftersom det kan resultera i felaktig drift. Om produkten ändå behöver användas på ett sådant sätt ska både den och den andra utrustningen kontrolleras för att verifiera att de fungerar normalt.



## Elektromagnetisk immunitet

<b>Elektrostatisk urladdning</b>	
	Produkten ska inte utsättas för elektrostatisk urladdning som kan uppstå vid beröring av produkten. Det kan göra att produkten utför oväntade åtgärder eller att komponenter går sönder.
<b>Teststandard</b>	<b>Testnivå för immunitet</b>
SS-EN 61000-4-2	+/- 8 kV kontakt +/- 2, 4, 8, 15 kV luft

<b>RF-fält som sänder ut elektromagnetisk strålning</b>	
	Produkten får inte påverkas av utsända RF-signaler från till exempel en mobiltelefon eller en radio, eftersom det kan göra att produkten utför oväntade åtgärder eller att komponenter går sönder.
<b>Teststandard</b>	<b>Testnivå för immunitet</b>
SS-EN 61000-4-3	15 V/m 80 MHz till 1000 MHz 15 V/m 1,01 GHz till 6 GHz 80 % AM 1 kHz

## Immunitet mot närliggande RF-fält från utrustning för trådlös kommunikation



Produkten får inte påverkas av utsända RF-signaler från till exempel en mobiltelefon eller en radio, eftersom det kan göra att produkten utför oväntade åtgärder eller att komponenter går sönder.

### Test-standard

### Testnivå för immunitet

SS-EN 61000-4-3\*

385 MHz, 27 V/m, 18 Hz PM (50 % driftcykel, fyrkantsvåg)  
450 MHz, 28 V/m, FM +/- 5 kHz avvikelse, 1 kHz sinusvåg  
710 MHz, 9 V/m, 217 Hz PM (50 % driftcykel, fyrkantsvåg)  
745 MHz, 9 V/m, 217 Hz PM (50 % driftcykel, fyrkantsvåg)  
780 MHz, 9 V/m, 217 Hz PM (50 % driftcykel, fyrkantsvåg)  
810 MHz, 28 V/m, 18 Hz PM (50 % driftcykel, fyrkantsvåg)  
870 MHz, 28 V/m, 18 Hz PM (50 % driftcykel, fyrkantsvåg)  
930 MHz, 28 V/m, 18 Hz PM (50 % driftcykel, fyrkantsvåg)  
1720 MHz, 28 V/m, 217 Hz PM (50 % driftcykel, fyrkantsvåg)  
1845 MHz, 28 V/m, 217 Hz PM (50 % driftcykel, fyrkantsvåg)  
1970 MHz, 28 V/m, 217 Hz PM (50 % driftcykel, fyrkantsvåg)  
2450 MHz, 28 V/m, 217 Hz PM (50 % driftcykel, fyrkantsvåg)  
5240 MHz, 9 V/m, 217 Hz PM (50 % driftcykel, fyrkantsvåg)  
5500 MHz, 9 V/m, 217 Hz PM (50 % driftcykel, fyrkantsvåg)  
5785 MHz, 9 V/m, 217 Hz PM (50 % driftcykel, fyrkantsvåg)

### **Snabba elektriska transienter/pulsskuror**



Produkten får inte utsättas för snabba pulssignaler via kabeln. De kan göra att komponenter går sönder eller att produkten utför oväntade åtgärder.

#### **Test-standard**

#### **Testnivå för immunitet**

SS-EN 61000-4-4

+/- 1 kV, +/- 2 kV  
100 kHz repetitionsfrekvens

### **Överspänningsskydd**



Produkten får inte utsättas för överspänning vid till exempel ett åsknedslag. Det kan göra att produkten utför oväntade åtgärder eller att komponenter går sönder.

#### **Test-standard**

#### **Testnivå för immunitet**

SS-EN 61000-4-5

Ledning till ledning: +/- 0,5 kV, +/- 1 kV  
Ledning till jord: +/- 0,5 kV, +/- 1 kV, +/- 2 kV (N/A)

### **Immunitet mot ledningsbundna störningar inducerade av RF-fält**



Kablarna får inte påverkas av andra RF-fält. Det kan göra att produkten utför oväntade åtgärder eller att komponenter går sönder.


#### **Test-standard**

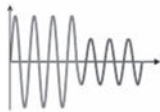
#### **Testnivå för immunitet**


SS-EN 61000-4-6

3 V (6 V i ISM-band och amatörradioband)  
0,15 till 80 MHz, 80 % AM vid 1 kHz


SV


<b>Immunitet mot elektromagnetiska fält</b>	
	Produkten får inte utsättas för överspänning orsakat av magnetfält. Det kan göra att produkten utför oväntade åtgärder eller att komponenter går sönder.
<b>Test-standard</b>	
SS-EN 61000-4-8	30 A/m, 60 Hz


<b>Spänningsfall</b>	
	Produkten får inte utföra oväntade åtgärder eller begränsa åtgärder på grund av spänningsfall.
<b>Test-standard</b>	<b>Testnivå för immunitet</b>
SS-EN 61000-4-11	0 % $U_T$ ; 0,5 cykel vid 0°, 45°, 90°, 135°, 180°, 225°, 270° och 315° 0 % $U_T$ ; 1 cykel vid 0° 70 % $U_T$ ; 25 cykler vid 0° Enfas vid 0°

<b>Spänningsavbrott</b>	
	Produkten får inte utföra oväntade åtgärder eller begränsa åtgärder på grund av kortvariga spänningsavbrott.
<b>Test-standard</b>	<b>Testnivå för immunitet</b>
SS-EN 61000-4-11	0 % $U_T$ ; 300 cykler

## Elektromagnetisk emission

<b>Emission från ledningsbunden RF</b>	
	Produkten får inte avge för mycket brus till elnätet. Det kan medföra störningar på andra produkter.
<b>Teststandard</b>	<b>Emissionsstandard och -grupp</b>
SS-EN 55011	Klass B, grupp 1

<b>Emission från RF-strålning</b>	
	Produkten får inte sända ut RF-signaler i rummet. Det kan medföra störningar på andra produkter.
<b>Teststandard</b>	<b>Emissionsstandard och -grupp</b>
SS-EN 55011	Klass B, grupp 1

<b>Korrekt belastning av elnätet</b>	
	Produkten får inte belasta elnätet oavsiktligt.
<b>Teststandard</b>	<b>Emissionsstandard och -grupp</b>
IEC 61000-3-2	Klass A

<b>Spänningsförändringar, spänningsvariationer och flimmer</b>	
	Produkten får inte påverka andra produkter när den är ansluten till elnätet. Det kan till exempel röra sig om lampor som börjar blinka och därmed stör andra personer i rummet.
<b>Teststandard</b>	<b>Emissionsstandard och -grupp</b>
SS-EN 61000-3-3	Testad enligt denna standard.

SV

## Teknisk information

Material	Pulverlackat rostfritt stål Plast (PVC, polystyren, ABS)
IP-klass	De elektriska delarna är kapslingsklassade enligt IPX6. Produkten får inte sänkas ned i vatten, men den är skyddad mot kraftig överspolning av vatten (från en öppning på 12,5 mm) i alla riktningar.
Uppmätt ljudnivå	48 dB

## Förvaring och transport



- Temperaturen vid transport och förvaring måste ligga mellan -10 och 50 grader Celsius.
- Enheten måste alltid transporteras i sin originalförpackning.
- Se till att förpackningen inte utsätts för stötar.
- Använd inte produkten om förpackningen är trasig eller skadad.

## Kassering och återvinning

Produkten innehåller material som går att återvinna. Det finns inga kända risker förknippade med kassering av produkten. Alla komponenter kan kasseras efter att de har rengjorts och desinficerats.

Vid kassering av produkten rekommenderar vi att den demonteras och att de olika delarna avfallssorteras för återvinning eller förbränning.

I följande tabell finns information om återvinning och hantering av produkten.

<b>Komponenter som kan återvinnas</b>	<b>Material</b>
Stål	Stål kan återvinnas genom att smältas ned och inkluderas som ett sekundärt material vid tillverkning av nytt stål.
Plast	Sortera som plastavfall.
Elektronik	De elektroniska komponenterna ska samlas in och sorteras som elektriskt avfall.

# Innholdsfortegnelse

Monteringsanvisning .....	169
Symboler brukt i denne brukerhåndboken .....	170
Generell sikkerhet .....	171
Sikkerhetsavstander .....	172
Tiltenkt bruk .....	174
Krav til operatører .....	174
Krav til brukere .....	174
Krav til omgivelsene ved bruk .....	174
Kontraindikasjoner for bruk .....	174
Bruksanvisning .....	175
Sidelengs justering .....	176
Sikkerhetsskinne .....	177
Tilbakestilling av servantopphenget .....	177
Rengjøring .....	178
Vedlikehold .....	179
Vedlikeholdskontroll .....	179
Produktetikett .....	184
Feilsøking .....	186
Elektromagnetisk kompatibilitet .....	187
Elektromagnetisk immunitet .....	188
Elektromagnetisk utslipp .....	192
Tekniske data .....	193
Oppbevaring og transport .....	193
Kassering og gjenvinning .....	194

no

## Monteringsanvisning



En monteringsanvisning er inkludert med dette produktet. Den kan også lastes ned fra [pressaliticare.com](http://pressaliticare.com).



# Symboler brukt i denne brukerhåndboken

De følgende symbolene brukes i denne brukerhåndboken og i den tilhørende dokumentasjonen som følger med produktet.

 <b>ADVARSEL</b>				<b>ADVARSEL</b> indikerer en potensiell farlig situasjon som, hvis den ikke unngås, kan føre til død eller alvorlig personskade.
 <b>FORSIKTIG</b>				<b>FORSIKTIG</b> angir en potensielt farlig situasjon som, hvis den ikke unngås, kan føre til mindre eller moderate personskader. Det kan også brukes for å advare mot feilaktig bruk.
<b>VIKTIG</b>				<b>VIKTIG</b> angir viktig informasjon om korrekt håndtering og bruk av produktet.
<b>MERKNAD</b>				<b>MERKNAD</b> indikerer forhold som ikke er relatert til personlig sikkerhet.
 Advarsel om hodeskader	 Advarsel om håndskader	 Advarsel om skader på kjønnsorgan	 Advarsel om fotskader	
 Advarsel om elektrisitet/spenning	 Kompatible produkter	 Artikkelnummer/ -versjoner	 Strøm- spesifikasjoner	
 Produktvekt	 Maksimal brukervekt			

## Generell sikkerhet

### **ADVARSEL**

- Les og forstå brukerhåndboken fullstendig før bruk. Oppbevar brukerhåndboken nær enheten.
- Følg instruksjonene i denne brukerhåndboken for å unngå ulykker som kan føre til alvorlig personskade.
- Dette produktet skal aldri brukes eller håndteres på andre måter enn som beskrevet i denne brukerhåndboken. Dette kan redusere sikkerheten for deg og føre til skade på produktet.
- Sørg for at alle som skal montere eller bruke produktet og systemene, har all nødvendig informasjon og tilgang til denne brukerhåndboken.

### **FORSIKTIG**

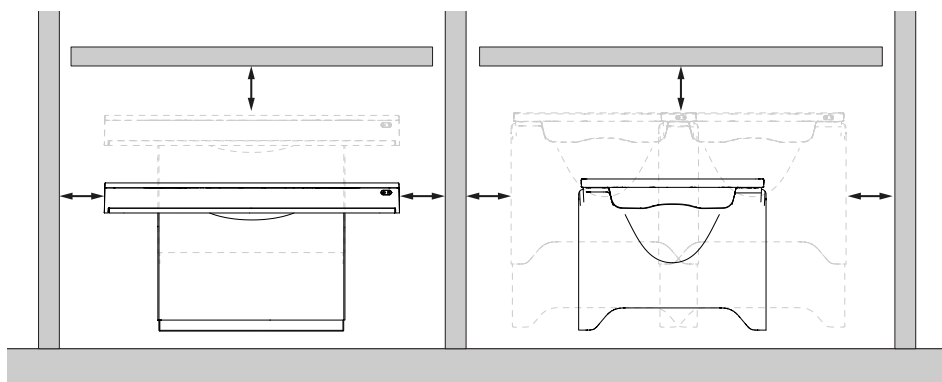
- Følg disse instruksjonene for å unngå at produktet skades eller ødelegges.
- Ikke utfør reparasjoner, demonterings- eller monteringsoperasjoner, utvidelser, justeringer eller modifikasjoner på dette produktet. Dette skal kun utføres av Pressalit eller personer som er autorisert av Pressalit.
- La aldri barn bruke dette produktet uten tilsyn. Produktet er ikke et leketøy.
- Bruk aldri produktet hvis det er defekt eller skadet. Bruk ikke et defekt produkt før det er blitt reparert.







### **MERKNAD**

- Informasjonen i denne brukerhåndboken forutsetter at produktet er riktig montert i samsvar med våre monteringsinstruksjoner.
- Pressalit kan ikke holdes ansvarlig hvis produktet brukes på annen måte enn som beskrevet i veiledningen.
- Vi forbeholder oss retten til å foreta endringer i denne brukerhåndboken uten varsel.

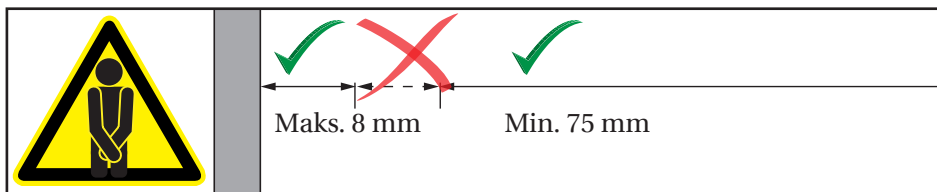
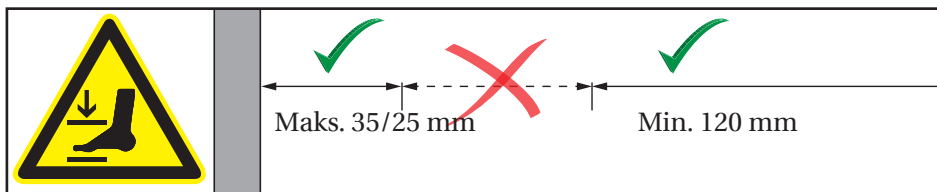
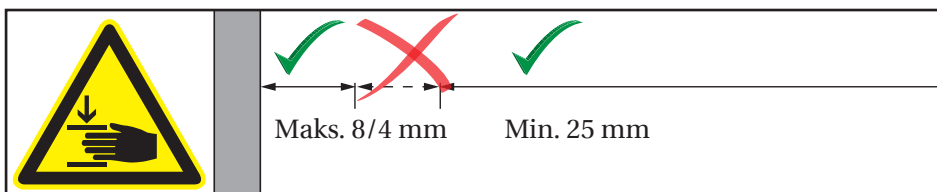
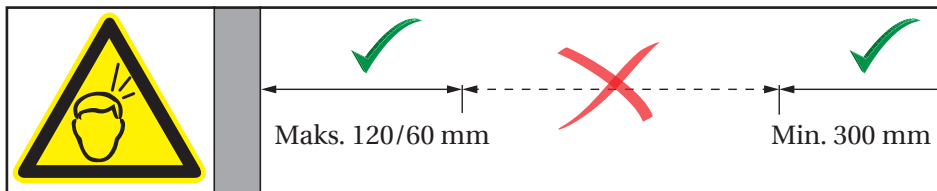
# Sikkerhetsavstander

Sørg for at servantopphenget er i sikker avstand fra gjenstander i nærheten. Kontroller avstandene før bruk.



ISO 17966:2016		
	Maks. 120 mm Min. 300 mm	Maks. 60 mm Min. 300 mm
	Maks. 8 mm Min. 25 mm	Maks. 4 mm Min. 25 mm
	Maks. 35 mm Min. 120 mm	Maks. 25 mm Min. 120 mm
	Maks. 8 mm Min. 75 mm	Maks. 8 mm Min. 75 mm

no



 **ADVARSEL**

Hvis enheten beveger seg innenfor sikkerhetsavstandene, må du holde et spesielt godt øye med personer og gjenstander i nærheten for å unngå klemfare.

## Tiltenkt bruk

Dette produktet skal brukes for å oppnå optimal ergonomi ved servanten, for både sittende og stående brukere med funksjonshemninger.

### Krav til operatører

Produktet kan brukes av alle – voksne, barn, unge og gamle.

### Krav til brukere

Produktet kan brukes av alle – voksne, barn, unge og gamle.

### Krav til omgivelsene ved bruk

For bruk innendørs i våtrom, som bad eller vaskerom. Produktet skal brukes ved romtemperatur, i private hjem, på pleiehjem og sykehus under normale driftsforhold.

### Kontraindikasjoner for bruk

Personer som ikke er i stand til å holde balansen i oppreist stilling, anbefales ikke å bruke dette servantopphenget.



Produktets overflate kan bli varm og/eller kald hvis den utsettes for eksterne kilder for varme eller kulde (f.eks. sollys eller frost).

no

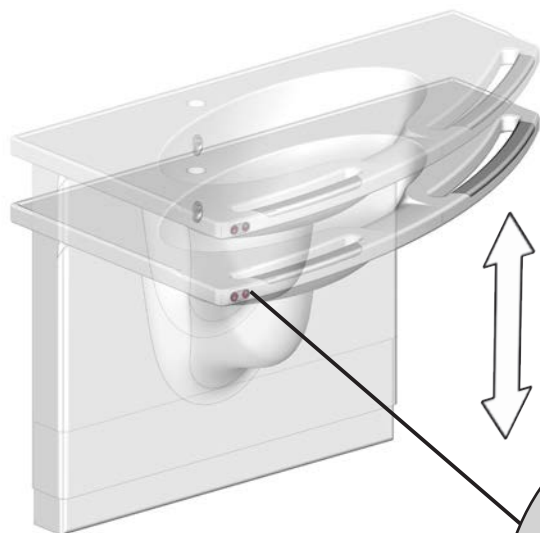
## MERKNAD

Enhver alvorlig hendelse som har skjedd i forbindelse med produktet, skal rapporteres til produsenten og helsemyndighetene.

# Bruksanvisning

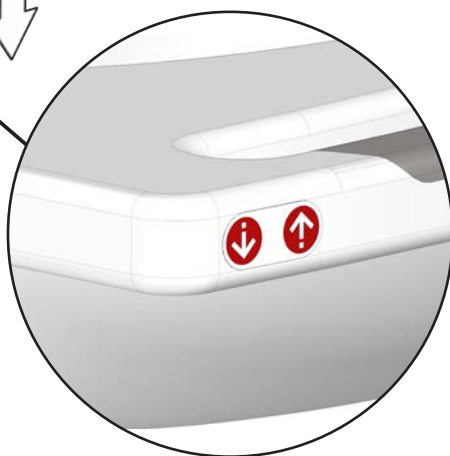
Servantopphengsmoellene R4822, R4827, R4828, R4850, R4855, R4852, R4857, R4870 og R4875 kan justeres 200 mm opp og ned.

**Maks. belastning er 150 kg.**



Høydejusteringen styres med betjeningsknapper i forkanten på servanten

Trykk på og hold inne opp-knappen for å heve servanten, og trykk på og hold inne ned-knappen for å senke den. Bevegelsen stopper når du slipper knappen.



no



**Vær forsiktig for å unngå håndskade når hendene er i nærheten av mekaniske deler i bevegelse.**

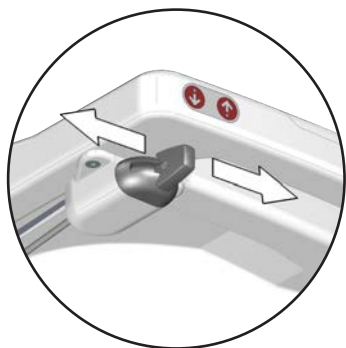
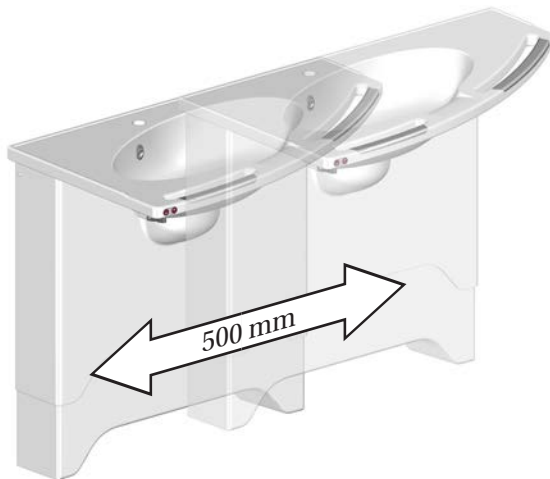
**! FORSIKTIG**

Du må aldri plassere gjenstander under servanten.

## Sidelengs justering

Servantopphengsmodellene R482219, R482719, R485019, R485519, R485219 og R485719 kan justeres 300 mm opp og ned, og dessuten totalt 500 mm til enten venstre eller høyre.

**Maks. belastning er 150 kg.**



Lås opp skyvemekanismen ved å trykke på og holde inne sidejusteringsknappen enten til venstre eller høyre.

Ta tak i håndtakene på vasken, og skyv

servantopphenget til enten venstre eller høyre. Det er ganske enkelt å skyve opphenget, så du trenger ikke å bruke mye kraft.

Når servantopphenget er i ønsket posisjon, slipper du sidejusteringsknappen, så vil opphenget låse seg på plass med et klikk.

 **FORSIKTIG**

Kontroller at låsemekanismen er i inngrep før bruk eller høydejustering. Dette gjør du ved å skyve servantopphenget litt til høyre eller venstre til du hører et klikk.

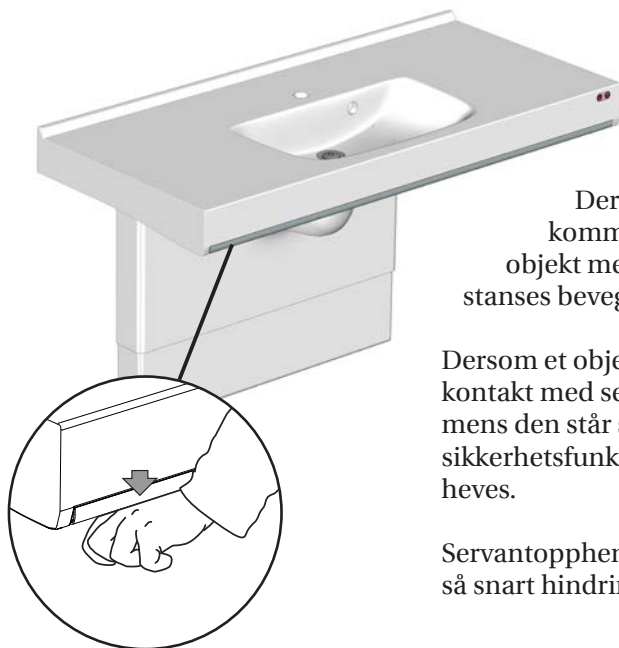


**Vær forsiktig så du ikke skader føttene når du flytter servantopphenget sidelengs**

no

# Sikkerhetsskinne

Servantoppengene **R4870** og **R4875** er utstyrt med en sikkerhetsskinne.



Dersom sikkerhetsskinnen kommer i kontakt med et objekt mens servanten senkes, stanses bevegelsen umiddelbart.

Dersom et objekt kommer i kontakt med servantens underside mens den står stille, aktiveres sikkerhetsfunksjonen, og servanten heves.

Servantoppheget kan brukes igjen så snart hindringen er fjernet.

## Tilbakestilling av servantoppheget

Dersom servantoppheget har kjørt seg fast, må du prøve å tilbake stille det.

- ① Kontroller at sikkerhetsskinnen ikke er aktivert. Senk servantoppheget helt ned til startposisjonen.
- no ② Slipp senkeknappen. Trykk den inn på nytt etter 3–4 sekunder til du hører et lite klikk etter ca. 10 sekunder.
- ③ Slipp senkeknappen, og hev servantoppheget til den høyeste posisjonen. Da vil du høre et nytt klikk.
- ④ Senk servantoppheget noen centimeter.
- ⑤ Hev det igjen til høyeste posisjon. Da vil du høre et nytt klikk. Servantoppheget er nå tilbake stillt. Servantoppheget bør også tilbake stills hvis det har vært avbrudd i strømforsyningen.



# Rengjøring

Produktet skal rengjøres med varmt vann eller et mildt rengjøringsmiddel. Du kan se hvilke rengjøringsprodukter som er testet og godkjent av Pressalit for et bestemt produkt, på [Pressalit.com](http://Pressalit.com) ved å bruke produktets artikkelnummer.

Pressalit anbefaler å rengjøre produktet etter montering.



Les alltid produktdatabladet (MSDS) og instruksjonene som følger med rengjørings-, desinfeksjons- eller kalkfjerningsmiddelet, og følg instruksjonene for sikker bruk, fortynning, skylling, tørking, håndtering og oppbevaring av middelet.

## VIKTIG

- Ikke bruk autoklavering eller annen type damprengjøring.
- Unngå sterke rengjøringsmidler som inneholder syre.
- Spray aldri produktet direkte med en høytrykksspyler.
- Klorbaserte desinfiserende midler kan brukes til desinfisering av overflater i henhold til disse produktenes spesifikasjon og sikkerhetsanvisninger.

## Vedlikehold

Forventet levetid for servantopphenget er 10 år, forutsatt at det vedlikeholdes som beskrevet nedenfor.

Det anbefales å kjøre motorene til maksimal posisjon ukentlig ved å heve produktet til full høyde og deretter senke det til laveste posisjon, slik at de innvendige delene smøres.

Det anbefales å utføre en vedlikeholdskontroll én gang i året.

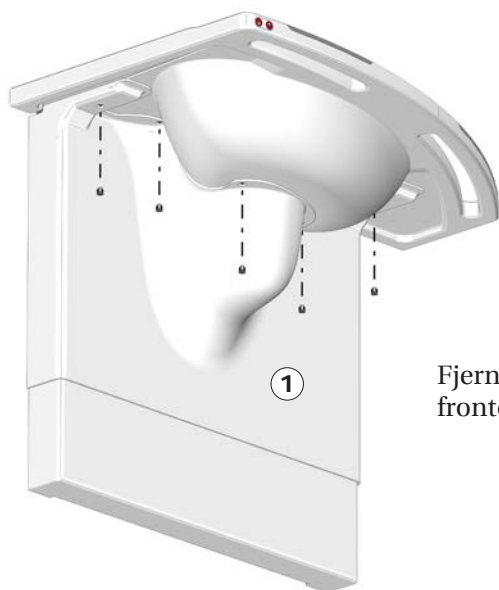
### Vedlikeholdskontroll

Hev servanten til høyeste posisjon.

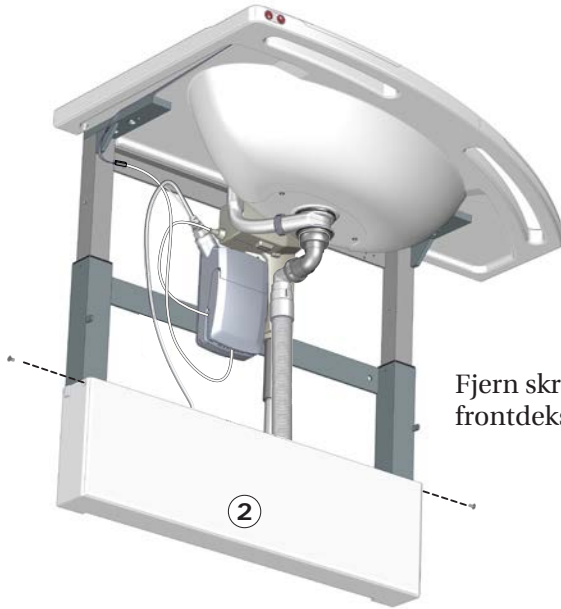


**Koble fra strømmen før du fjerner dekslene.**

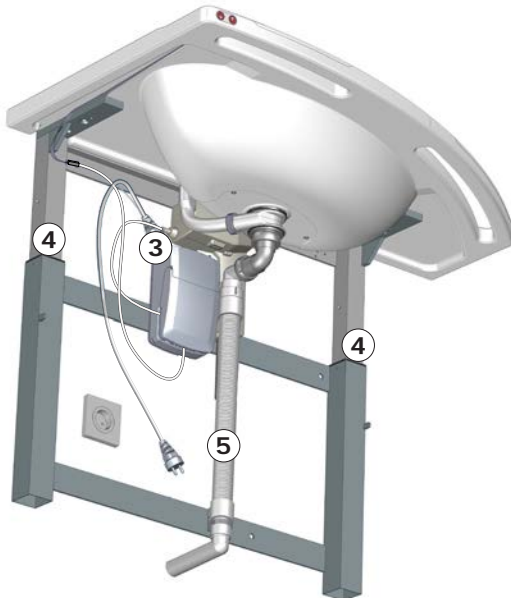
**For R4822, R4827, R4828, R4850, R4855, R4852 og R4857**



Fjern skruene og det øvre frontdekselet ①.



Fjern skruene og det nedre frontdekslet ②.



Kontroller alle elektriske tilkoblinger ③.

Smør de indre firkanttrørene ④ og stangen ⑤.

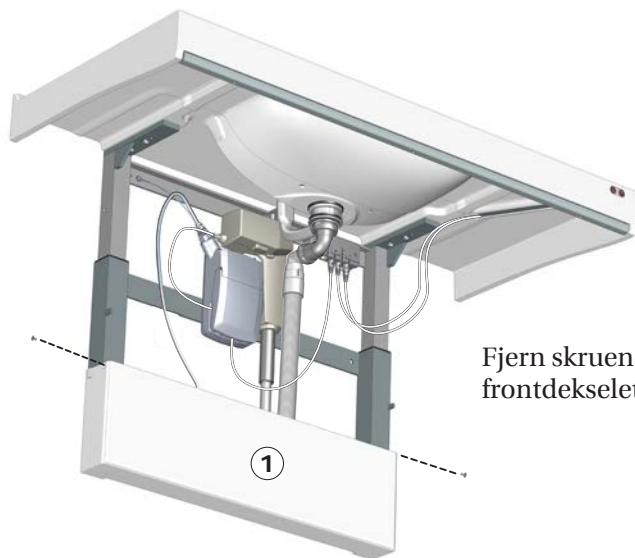
Sett på plass frontdekslet og toppdekslet.

Koble til strømmen igjen.

Senk servanten til laveste posisjon, og hev den deretter til øverste posisjon for å fordele smøremiddelet.

no

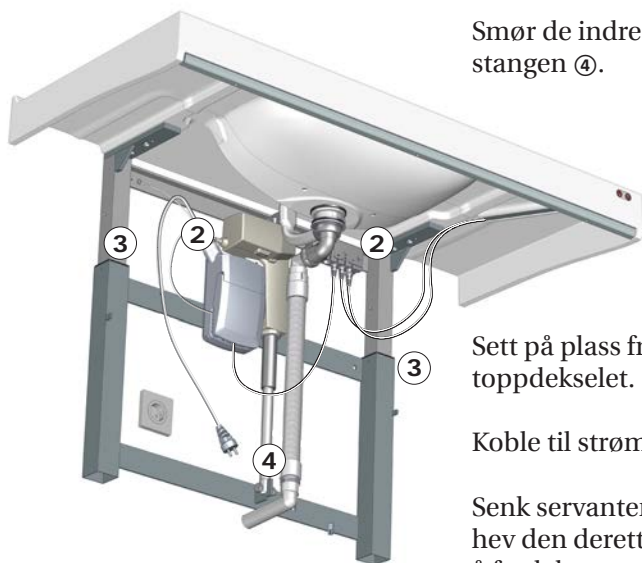
## For R4870 og 4875



Fjern skruene og det nedre frontdekselet ①.

Kontroller alle elektriske tilkoblinger ②.

Smør de indre firkanttrørene ③ og stangen ④.



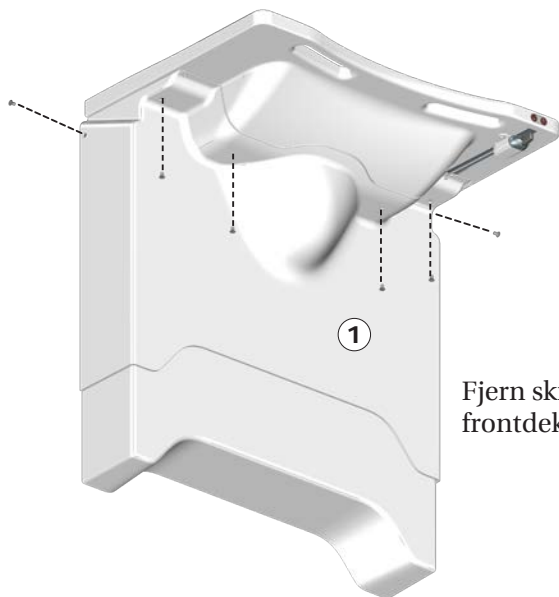
Sett på plass frontdekslet og toppdekslet.

Koble til strømmen igjen.

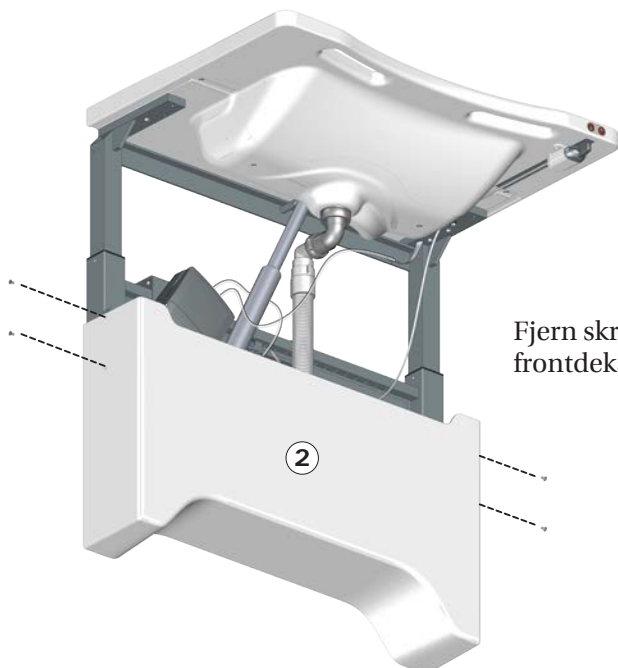
Senk servanten til laveste posisjon, og hev den deretter til øverste posisjon for å fordele smøremiddelet.

**For R482219, R482719, R485019, R485219, R485519, R485719**

Hev servanten til høyeste posisjon.

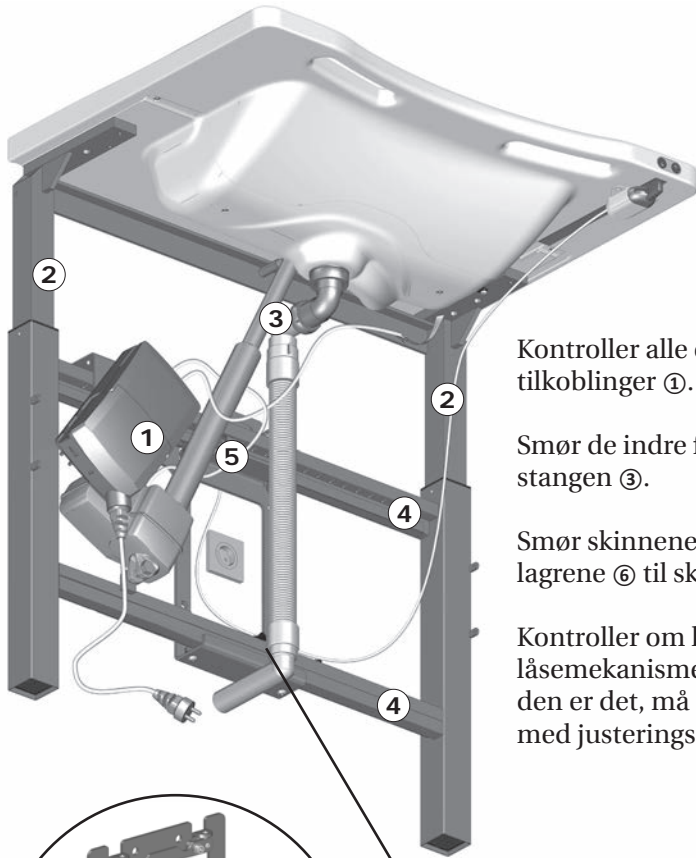


Fjern skruene og det øvre frontdekselet ①.



Fjern skruene og det nedre frontdekselet ②.

no

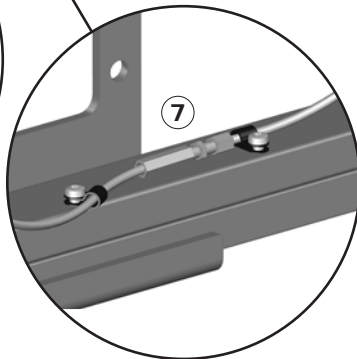
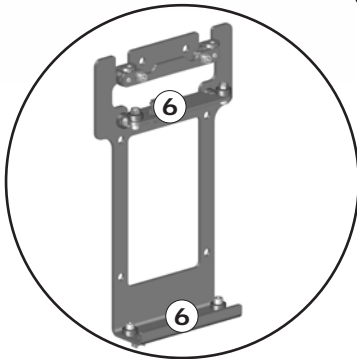


Kontroller alle elektriske tilkoblinger ①.

Smør de indre firkantrørene ② og stangen ③.

Smør skinnene ④, låsen ⑤ og lagrene ⑥ til skyvemekanismen.

Kontroller om kabelen til låsemekanismen er for løs. Hvis den er det, må du stramme den med justeringskruen ⑦.

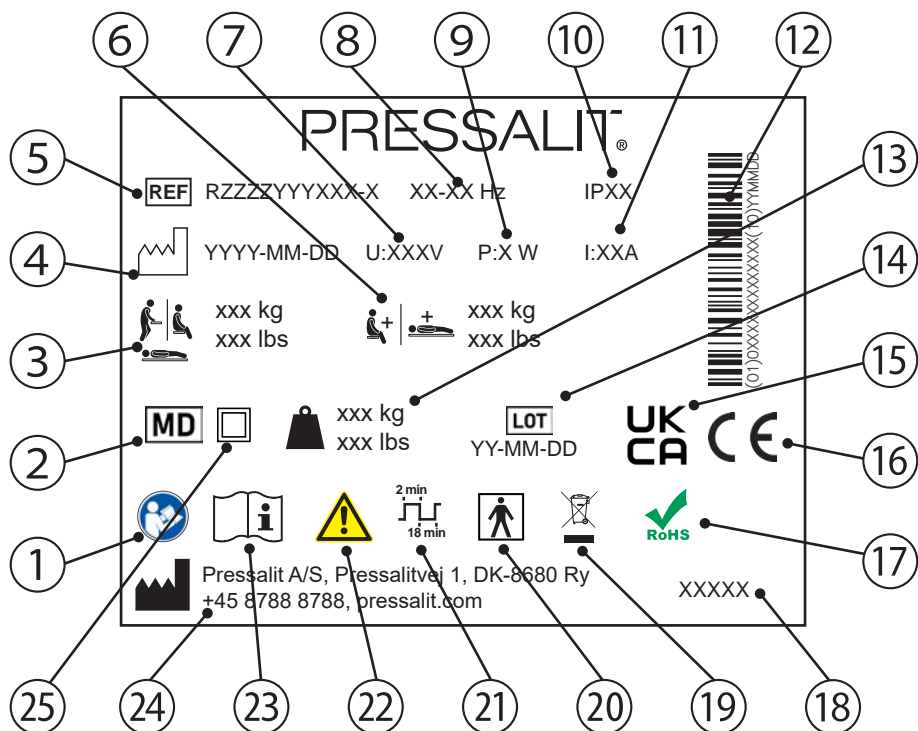


no

Sett på plass frontdekselet og toppdekselet, og koble til strømmen igjen. Senk servanten til laveste posisjon, og hev den deretter til øverste posisjon for å fordele smøremiddelet.

I tillegg skal du skyve servantoppheget lengst ut i venstre og høyre posisjon.

# Produktetikett



1 Se brukerhåndboken

2 Medisinsk enhet

3 Maksimal brukervekt

4 Produksjonsdato

5 Artikkelnummer

6 Maks. belastning

7 Nettspenning

8 Frekvens

9 Maksimalt strømforbruk

no

⑩ IP-klasse

---

⑪ Elektrisk strøm

---

⑫ GS1-128-strekkode

---

⑬ Produktvekt

---

⑭ Partikode

---

⑮ Samsvar vurdert i Storbritannia

---

Disse produktene er CE-merket i henhold til relevante krav i:

- Forordning (EU) 2017/745 (fra 5. April 2017) om medisinsk utstyr.

⑯

- Rådskdirektiv 2006/42/EF (fra 17. mai 2006) om maskiner.
- Rådskdirektiv 2011/65/EF (fra 8. mai 2011) om RoHS.

Du finner en samsvarserklæring på [pressalit.com](http://pressalit.com)

---

⑰ Dette produktet inneholder ingen av de farlige stoffene som nevnes i rådskdirektiv 2011/65/EF om RoHS.

---

⑱ Produktnavn (hvis dette finnes)

---

⑲ Skal ikke kastes sammen med usortert husholdningsavfall. Dette produktet skal samles inn separat og returneres til den relevante gjenvinningstjenesten.

---

⑳ Anvendt del type BF. Ved normal bruk vil en del av produktet nødvendigvis komme i fysisk kontakt med pasienten, for at produktets funksjon skal kunne utføres. Produktet overholder kravene i IEC 60601-1 angående beskyttelse mot elektrisk støt.

---

㉑ Driftssyklus

---

㉒ Se håndboken for viktig sikkerhetsinformasjon som f.eks. advarsler og forholdsregler.

---

㉓ Se brukerhåndboken

---

㉔ Navn og adresse til produsent

---

㉕ Dobbeltisolert elektrisk apparat

---



## Feilsøking

Symptom	Årsak	Tiltak
Betjeningsknappene fungerer ikke.	Feil på strømforsyningen.	Sjekk at alle ledninger og plugg er intakte og riktig tilkoblet. Kontakt Pressalit A/S eller din lokale forhandler.
Produktet heves og senkes ujevnt.	De indre firkantrørene er ikke tilstrekkelig smurt.	Smør de indre firkantrørene som beskrevet i "Vedlikehold".
Produktet kan ikke beveges sidelengs.	Det kan hende at slanger eller kabler sitter fast.	Ta av dekselet/dekslene, og kontroller om noe har kjørt seg fast.
	Det kan hende at låsemekanismen sitter fast.	Kontroller låsen og kablene som beskrevet i "Vedlikehold".
Sikkerhetssystemet fungerer ikke.	Feil på brytere.	Kontroller om én eller flere av sikkerhetssystemets kontakter sitter fast, og prøv i så fall å vikle den løs. Dersom problemet ikke kan utbedres, må kontakten(e) byttes. Sikkerhetssystemet vil kun fungere dersom det kan registreres strøm. Husk å tilbake stille som beskrevet i "Tilbakestilling av servantopphenget".

Kontakt Pressalit eller forhandleren hvis problemet vedvarer. Ikke prøv å reparere produktet selv, da dette vil gjøre garantien ugyldig.

no

# Elektromagnetisk kompatibilitet

Enheten er egnet for bruk i hjemmet, i barnehager, på dagsentre for personer med fysiske eller psykiske funksjonshemninger eller på sykehus, bortsett fra i nærheten av aktivt HF-kirurgisk utstyr og RF-skjermede rom med medisinske systemer for magnetisk resonansavbildning med elektromagnetiske forstyrrelser med høy intensitet.


Enheten har ingen funksjon knyttet til grunnleggende sikkerhet eller vesentlig ytelse. Ved tap eller forringelse av ytelsen på grunn av elektromagnetiske forstyrrelser forblir brukerens sikkerhet upåvirket.


Kabel	Lengde
Strømledning	3,2 m
Spiralkabel til håndkontroll	Ca. 5 m forlenget



- Bruk av andre tilbehør, transdusere og kabler enn det som er spesifisert eller levert av produsenten, kan føre til økt elektromagnetisk stråling eller redusert elektromagnetisk immunitet for dette utstyret og resultere i feilfunksjon.
- Bærbart RF-kommunikasjonsutstyr (inkludert periferiutstyr som antennekabler og eksterne antenner) bør ikke brukes nærmere enn 30 cm fra noen del av enheten, inkludert kablene, for å unngå redusert ytelse for denne enheten.
- Bruk av dette utstyret ved siden av eller stablet med annet utstyr bør unngås fordi det kan føre til feilfunksjon. Hvis slik bruk er nødvendig, bør dette utstyret og det andre utstyret observeres for å bekrefte at de fungerer normalt.

## Elektromagnetisk immunitet

<b>Elektrostatisk utlading</b>	
	Produktet må ikke påvirkes av elektrisk utlading mellom en person og produktet på en slik måte at det igangsetter handlinger eller gjør komponenter defekte.
<b>Teststandard</b>	<b>Immunitetstestnivå</b>
EN 61000-4-2	+/- 8 kV kontakt +/- 2, 4, 8, 15 kV luft

<b>Utstrålt RF-elektromagnetisk felt</b>	
	Produktet må ikke påvirkes av utstrålte RF-signaler, for eksempel fra en mobiltelefon eller radio, som kan føre til at produktet igangsetter handlinger eller gjør komponenter defekte.
<b>Teststandard</b>	<b>Immunitetstestnivå</b>
EN 61000-4-3	15 V/m 80 MHz til 1000 MHz 15 V/m 1,01 GHz til 6 GHz 80 % AM 1 kHz

## Immunitet til nærhetsfelt fra trådløst RF-kommunikasjonsutstyr



Produktet må ikke påvirkes av utstrålte RF-signaler, for eksempel fra en mobiltelefon eller radio, som kan føre til at produktet igangsetter handlinger eller gjør komponenter defekte.

### Test-standard

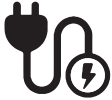
### Immunitetstestnivå

EN 61000-4-3\*

385 MHz, 27 V/m, 18 Hz PM (50 % arbeidssyklus firkantbølge)  
450 MHz, 28 V/m, FM +/- 5 kHz avvik, 1 kHz sinus  
710 MHz, 9 V/m, 217 Hz PM (50 % arbeidssyklus firkantbølge)  
745 MHz, 9 V/m, 217 Hz PM (50 % arbeidssyklus firkantbølge)  
780 MHz, 9 V/m, 217 Hz PM (50 % arbeidssyklus firkantbølge)  
810 MHz, 28 V/m, 18 Hz PM (50 % arbeidssyklus firkantbølge)  
870 MHz, 28 V/m, 18 Hz PM (50 % arbeidssyklus firkantbølge)  
930 MHz, 28 V/m, 18 Hz PM (50 % arbeidssyklus firkantbølge)  
1720 MHz, 28 V/m, 217 Hz PM (50 % arbeidssyklus firkantbølge)  
1845 MHz, 28 V/m, 217 Hz PM (50 % arbeidssyklus firkantbølge) 1970 MHz, 28 V/m, 217 Hz PM (50 % arbeidssyklus firkantbølge) 2450 MHz, 28 V/m, 217 Hz PM (50 % arbeidssyklus firkantbølge) 5240 MHz, 9 V/m, 217 Hz PM (50 % arbeidssyklus firkantbølge) 5500 MHz, 9 V/m, 217 Hz PM (50 % arbeidssyklus firkantbølge) 5785 MHz, 9 V/m, 217 Hz PM (50 % arbeidssyklus firkantbølge)

no

### Elektriske raske transienter / brister



Produktet må ikke påvirkes av raske pulssignaler som kommer inn gjennom ledningen. Dette kan føre til at komponentene blir defekte, eller at produktet kan sette i gang handlinger.

#### Test-standard

#### Immunitetstestnivå

EN 61000-4-4

+/- 1 kV, +/- 2 kV  
100 kHz repetisjonsfrekvens

### Immunitet mot spenningstopp



Produktet må ikke påvirkes til å igangsette handlinger eller gjøre komponenter defekte som følge av lynnedslag.

#### Test-standard

#### Immunitetstestnivå

EN 61000-4-5

Linje-til-linje: +/- 0,5 kV, +/-1 kV  
Linje-til-jord: +/- 0,5 kV, +/-1 kV, +/- 2 kV (I/R)

### Immunitet mot ledningsforstyrrelser induisert av RF-felt




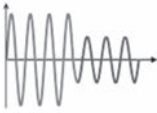
Ledningene må ikke påvirkes av andre RF-felt for å sette i gang handlinger eller gjøre komponenter defekte.


#### Test-standard

#### Immunitetstestnivå

EN 61000-4-6	3 V (6 V i ISM-bånd og amatør radiobånd) 0,15 til 80 MHz, 80 % AM ved 1 kHz
--------------	--


<b>Strømfrekvens magnetfeltimmunitet</b>	
	Produktet må ikke påvirkes til å igangsette handlinger eller gjøre komponenter defekte som følge av magnetfelt.
<b>Test-standard</b>	
EN 61000-4-8	30 A/m, 60 Hz


<b>Spenningsfall</b>	
	Produktet må ikke igangsette eller begrense handlinger som følge av spenningsfall i strømforsyningen.
<b>Test-standard</b>	<b>Immunitetstestnivå</b>
EN 61000-4-11	0 % $U_T$ ; 0,5 syklus ved 0°, 45°, 90°, 135°, 180°, 225°, 270° og 315° 0 % $U_T$ ; 1 syklus ved 0° 70 % $U_T$ ; 25 sykluser ved 0° Énfaset ved 0°

<b>Spenningsavbrudd</b>	
	Produktet må ikke igangsette eller begrense handlinger som følge av korte avbrudd i strømforsyningen.
<b>Test-standard</b>	<b>Immunitetstestnivå</b>
EN 61000-4-11	0 % $U_T$ ; 300 sykluser

no

## Elektromagnetisk utslipp

<b>Ledet RF-utslipp</b>	
	Produktet må ikke sende for mye støy inn i nettet. Dette kan føre til forstyrrelser av andre produkter.
<b>Teststandard</b>	<b>Utslippstestklasse og -gruppe</b>
EN 55011	Klasse B, gruppe 1

<b>Utstrålt RF-utslipp</b>	
	Produktet kan ikke utstråle RF-signaler i rommet. Dette kan føre til forstyrrelser av andre produkter.
<b>Teststandard</b>	<b>Utslippstestklasse og -gruppe</b>
EN 55011	Klasse B, gruppe 1

<b>Harmoniske strømutslipp</b>	
	Produktet må ikke utilsiktet trekke strøm fra nettet.
<b>Teststandard</b>	<b>Utslippstestklasse og -gruppe</b>
IEC 61000-3-2	Klasse A

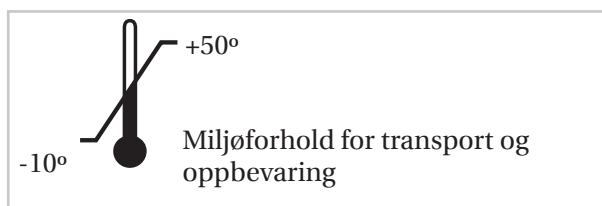
<b>Spenningsendringer, spenningsvingninger og flimrer</b>	
	Produktet må ikke påvirke andre produkter når det er koblet til nettet. Dette kan for eksempel være lamper som kan begynne å blinke og dermed plager mennesker i rommet.
<b>Teststandard</b>	<b>Utslippstestklasse og -gruppe</b>
EN 61000-3-3	Testet i henhold til standarden.

no

## Tekniske data

Materialer	Pulverlakkert rustfritt stål. Plast (PVC, polystyren, ABS).
IP-klasse	De elektriske delene har inntrengningsbeskyttelsesrangering IPX6. Produktet skal ikke nedsenkes i vann, men tåler kraftig vannsprut (12,5 mm dyse) fra hvilken som helst retning.
Målt lydtrykknivå	48 dB

## Oppbevaring og transport



- Temperaturen for transport og oppbevaring av enheten må være mellom -10 og 50 grader Celsius.
- Enheten må alltid transporteres i original emballasje.
- Unngå å utsette emballasjen for støt og slag.
- Bruk aldri produktet hvis emballasjen er defekt eller skadet.

no



## Kassering og gjenvinning

Enheden inneholder materiale som kan gjenvinnes. Det er ingen kjente farer eller risikoer forbundet med avhending av produktet. Alle komponenter kan kasseres når de er blitt rengjort og desinfisert.

Når produktet avhendes, anbefaler vi at det demonteres og sorteres i ulike avfallsgrupper for gjenvinning eller forbrenning.

Den følgende tabellen gir informasjon om gjenvinning og håndtering av produktet.

<b>Komponenter som kan gjenvinnes</b>	<b>Materiale</b>
Stål	Stål kan gjenvinnes ved at det smeltes ned og inkluderes som et sekundærmateriale ved produksjon av nytt stål.
Plast	Bruk plastsorterings- og -gjenvinningssystemer hvis slike finnes tilgjengelig lokalt. Hvis ikke kan plasten brennes, noe som genererer ny energi som for eksempel kan brukes ved kombinert varme- og kraftproduksjon.
Elektronikk	De elektroniske komponentene skal samles inn separat og returneres til den relevante gjenvinningstjenesten.

# Contenido

Instrucciones de montaje.....	195
Símbolos utilizados en este manual .....	196
Seguridad general .....	197
Distancias de seguridad .....	198
Uso previsto .....	200
Perfil de operador previsto .....	200
Perfil de usuario previsto .....	200
Entorno de funcionamiento.....	200
Contraindicaciones de uso .....	200
Instrucciones de funcionamiento .....	201
Ajuste lateral .....	202
Barra de seguridad.....	203
Reajuste del elevador del lavabo .....	203
Limpieza .....	204
Mantenimiento .....	205
Inspección de mantenimiento.....	205
Etiqueta del producto .....	210
Solución de problemas.....	212
Compatibilidad electromagnética .....	213
Inmunidad electromagnética .....	214
Emisión electromagnética .....	218
Datos técnicos .....	219
Almacenamiento y transporte .....	219
Eliminación y reciclaje .....	220

## Instrucciones de montaje

es



Este producto incluye instrucciones de montaje. Si lo prefiere, puede descargarlas desde [pressaliticare.com](http://pressaliticare.com).

# Símbolos utilizados en este manual

Los símbolos siguientes se utilizan en el presente manual y en la documentación complementaria suministrada con el producto.

 <b>ADVERTENCIA</b>	<p><b>ADVERTENCIA</b> indica una posible situación de peligro que, de no evitarse, podría provocar la muerte o lesiones graves.</p>		
 <b>ATENCIÓN</b>	<p><b>ATENCIÓN</b> indica una posible situación de peligro que, de no evitarse, podría provocar lesiones leves o moderadas. También puede utilizarse para advertir de prácticas inseguras.</p>		
<b>IMPORTANTE</b>	<p><b>IMPORTANTE</b> indica información importante sobre la manipulación y la utilización del producto.</p>		
<b>AVISO</b>	<p><b>AVISO</b> se utiliza para hacer referencia a prácticas no relacionadas con la seguridad personal.</p>		
			
<p>Advertencia de posibles lesiones en la cabeza</p>	<p>Advertencia de posibles lesiones en las manos</p>	<p>Advertencia de posibles lesiones en los genitales</p>	<p>Advertencia de posibles lesiones en los pies</p>
		<b>REF</b>	
<p>Advertencia de tensiones/ corrientes eléctricas</p>	<p>Productos compatibles</p>	<p>Número/ Versiones de artículo</p>	<p>Especificaciones de alimentación</p>
			
<p>Indicación de peso</p>	<p>Peso máx. del usuario</p>		

## Seguridad general



### ADVERTENCIA

- Lea todo el manual y asegúrese de entenderlo antes de cualquier uso. Mantenga el manual cerca de la unidad.
- Siga las indicaciones del manual para evitar accidentes que podrían ocasionar daños personales graves.
- No utilice ni manipule nunca el producto de forma distinta a como se especifica en el manual, ya que podría resultar peligroso y provocar daños en el producto.
- Asegúrese de que las personas que vayan a instalar o utilizar el producto y sus sistemas pueden acceder a este manual y disponen de la información necesaria.



### ATENCIÓN

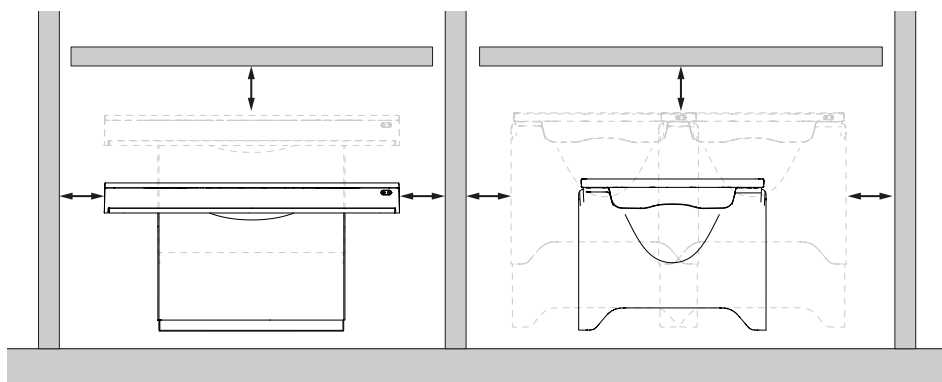
- Siga estas instrucciones para evitar dañar o destruir el producto.
- No lleve a cabo reparaciones ni operaciones de montaje y desmontaje, no instale extensiones ni reajuste o modifique el producto. Todas estas operaciones deben ser realizadas solamente por Pressalit o personas autorizadas por Pressalit.
- No deje nunca que los niños manipulen el producto sin supervisión. El producto no ha sido diseñado para el juego.
- No utilice nunca el producto si está defectuoso o dañado. No utilice nunca un producto defectuoso hasta que haya sido reparado.







### AVISO

- La información contenida en este manual se basa en el ajuste correcto del producto según nuestras instrucciones de montaje.
- Pressalit no se hace responsable de la utilización del producto de manera diferente a la descrita en la guía.
- Nos reservamos el derecho de modificar este manual sin previo aviso.

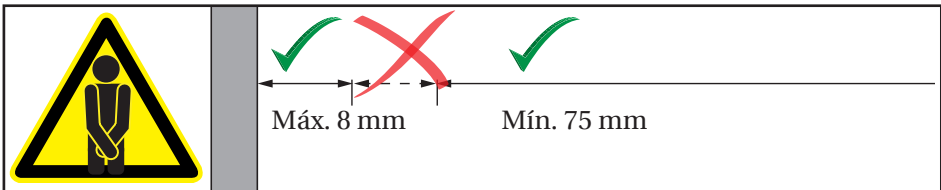
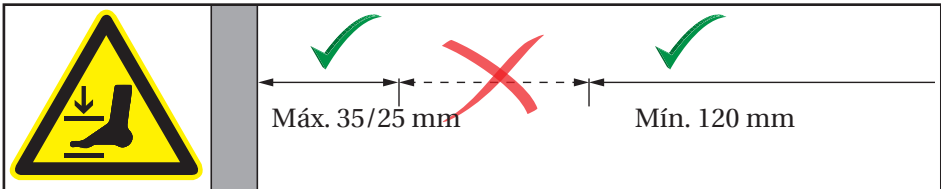
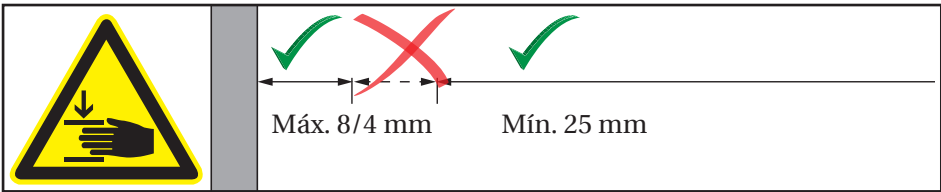
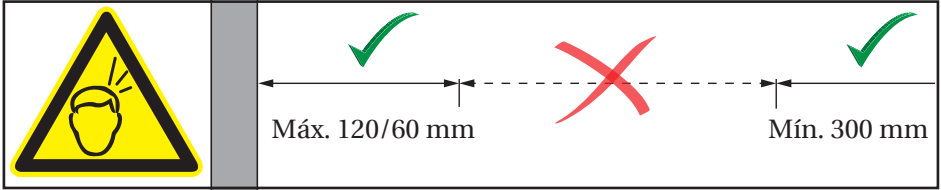
## Distancias de seguridad

Asegúrese de que haya una distancia de seguridad entre el elevador del lavabo y los objetos de alrededor. Compruebe las distancias antes del uso.



ISO 17966:2016		
	Máx. 120 mm Mín. 300 mm	Máx. 60 mm Mín. 300 mm
	Máx. 8 mm Mín. 25 mm	Máx. 4 mm Mín. 25 mm
	Máx. 35 mm Mín. 120 mm	Máx. 25 mm Mín. 120 mm
	Máx. 8 mm Mín. 75 mm	Máx. 8 mm Mín. 75 mm

es



## ADVERTENCIA

Si la unidad se mueve dentro de las distancias de seguridad, exteme el control sobre las personas y los objetos de alrededor para evitar peligros de aplastamiento.

## Uso previsto

Este producto está diseñado para proporcionar una ergonomía óptima en el lavabo para todos los usuarios con discapacidades, ya sea sentados o de pie.

### Perfil de operador previsto

El producto está destinado para todos los públicos: adultos, niños, jóvenes y ancianos.

### Perfil de usuario previsto

El producto está destinado para todos los públicos: adultos, niños, jóvenes y ancianos.

### Entorno de funcionamiento

Para uso en interiores de ambientes húmedos tales como baños o zonas de aseo. El producto está diseñado para ser utilizado a temperatura ambiente en casas privadas, centros de cuidado para personas mayores y hospitales en condiciones de trabajo normales.

### Contraindicaciones de uso

El uso de este elevador de lavabo no está recomendado para personas que no puedan mantener el equilibrio en posición vertical.



### ATENCIÓN

La superficie del producto puede estar caliente y/o fría si se expone a fuentes de calor o frío externas (p. ej., luz solar o escarcha).

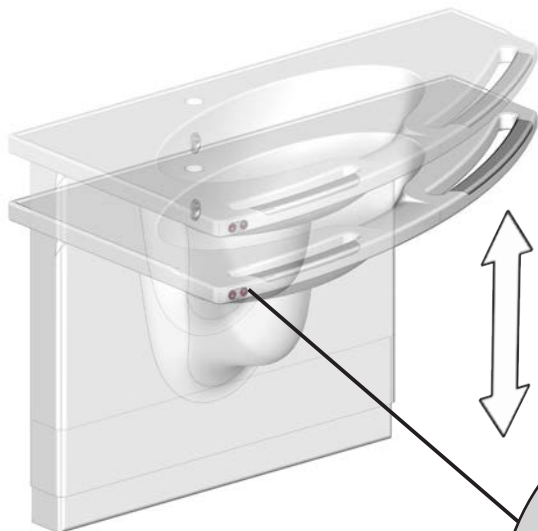
### AVISO

Debe informarse al fabricante y a las autoridades sanitarias de cualquier incidente grave que haya ocurrido en relación con el producto.

## Instrucciones de funcionamiento

Los modelos de elevador del lavabo R4822, R4827, R4828, R4850, R4855, R4852, R4857, R4870 y R4875 pueden ajustarse 200 mm hacia arriba y hacia abajo.

**La carga máx. es de 150 kg.**



El ajuste de la altura se controla mediante los botones de funcionamiento situados en la parte frontal del lavabo.

Pulse y mantenga pulsado el botón de subida para subir el lavabo o el botón de bajada para bajarlo. El movimiento se detiene al soltar el botón.



es



**Extreme la precaución para evitar lesiones en las manos alrededor de las piezas mecánicas.**



**ATENCIÓN**

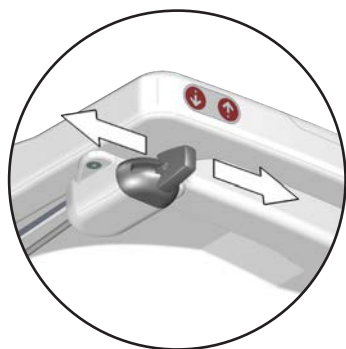
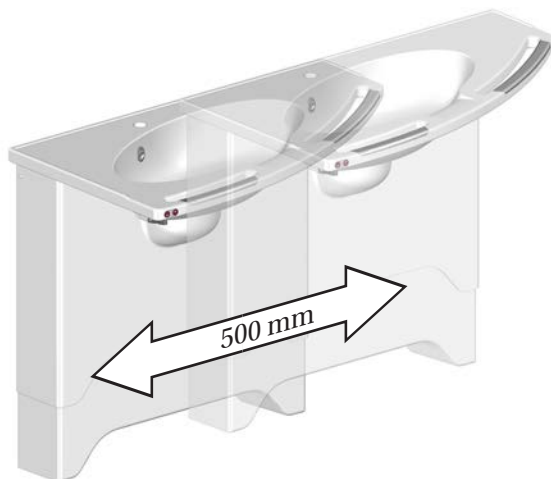
Nunca coloque objetos debajo del lavabo.



## Ajuste lateral

Los modelos de elevador del lavabo R482219, R482719, R485019, R485519, R485219 y R485719 pueden ajustarse 300 mm hacia arriba y hacia abajo y un total de 500 mm hacia la izquierda o la derecha.

**La carga máx. es de 150 kg.**



Pulse y mantenga pulsado el botón de ajuste hacia la izquierda o la derecha para desbloquear el mecanismo deslizante. Sujete las manivelas del fregadero y empuje

el elevador del lavabo hacia la izquierda o la derecha. El elevador se desplaza fácilmente, por lo que no se requiere mucho esfuerzo.

Cuando el elevador del lavabo esté en la posición deseada, suelte el botón de ajuste lateral. Se oirá un clic que indica que el elevador queda bloqueado.

### **ATENCIÓN**

Asegúrese de que el mecanismo de bloqueo esté bien encajado antes de cualquier uso o ajuste de altura. Para hacerlo, empuje el elevador del lavabo un poco hacia la izquierda o la derecha hasta que se escuche un clic.



**Extreme la precaución para no dañarse los pies mientras desplaza el elevador lateralmente.**

## Barra de seguridad

Los elevadores de lavabo **R4870** y **R4875** están equipados con una barra de seguridad.



Si la barra de seguridad entra en contacto con un objeto durante el descenso del lavabo, el movimiento se detiene inmediatamente.

Si un objeto toca la parte inferior del lavabo mientras éste está parado, se activa la función de seguridad y se procede a la elevación del lavabo.

El elevador del lavabo se puede utilizar de nuevo una vez eliminada la obstrucción.

## Reajuste del elevador del lavabo

Si el elevador del lavabo está bloqueado, intente reajustarlo.

- ① Asegúrese de que la barra de seguridad no está activada. Baje el elevador del lavabo hasta su posición inicial.
- ② Suelte el botón de bajada, y después de 3-4 s presiónelo de nuevo hasta que escuche ligeramente un clic después de aprox. 10 s.
- ③ Suelte el botón de bajada y, a continuación, eleve el elevador del lavabo hasta la posición más alta. Escuchará otro clic.
- ④ Baje el elevador del lavabo un par de centímetros.
- ⑤ Elévalo de nuevo hasta la posición más alta. Escuchará otro clic.  
El elevador del lavabo estará ahora reajustado. El elevador del lavabo también se debería reajustar si se ha producido una interrupción del suministro de corriente.

# Limpieza

Limpie el producto con agua caliente o con un agente de limpieza jabonoso suave.

Para conocer los productos de limpieza probados y aprobados por Pressalit para el producto correspondiente, visite [Pressalit.com](http://Pressalit.com) y consulte el número de artículo del producto.

Pressalit recomienda limpiar el producto después de la instalación.

## **ATENCIÓN**

Lea siempre las hojas de datos de seguridad (MSDS) y las instrucciones suministradas de limpieza, desinfección o del agente descalcificador y siga las instrucciones de uso seguro, dilución, aclarado, secado, manipulación y almacenamiento del agente.

## **IMPORTANTE**

- No utilice sistemas de autoclave ni ningún otro tipo de limpieza a vapor.
- Evite los agentes limpiadores agresivos que contengan ácidos.
- Nunca pulverice el producto directamente con limpiadores de alta presión.
- Para la desinfección de las superficies pueden utilizarse desinfectantes clorados de acuerdo con la especificación del producto y las precauciones de seguridad de estos productos.

# Mantenimiento

La vida útil esperada del lavabo es de 10 años, siempre y cuando se realice su mantenimiento tal y como se describe a continuación.

Se recomienda hacer funcionar los motores del producto hasta las posiciones máximas una vez a la semana; para hacerlo, eleve el producto hasta su altura máxima y luego bájelo hasta la posición más baja para que se lubriquen los componentes internos.

Se recomienda realizar una inspección de mantenimiento anual.

## Inspección de mantenimiento

Eleve el lavabo hasta la posición más alta.

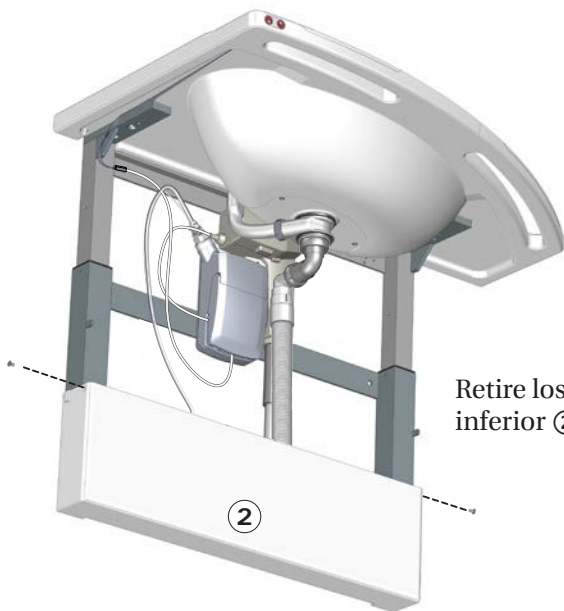
**Para R4822, R4827, R4828, R4850, R4855, R4852 y R4857**



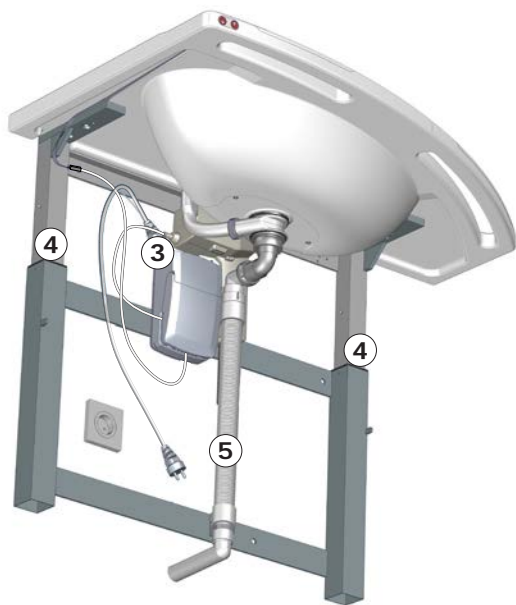
**Desconecte la electricidad antes de retirar las cubiertas.**



Retire los tornillos y la cubierta frontal superior ①.



Retire los tornillos y la cubierta frontal inferior ②.



Compruebe todas las conexiones eléctricas ③.

Lubrique los tubos cuadrados internos ④ y la varilla del actuador ⑤.

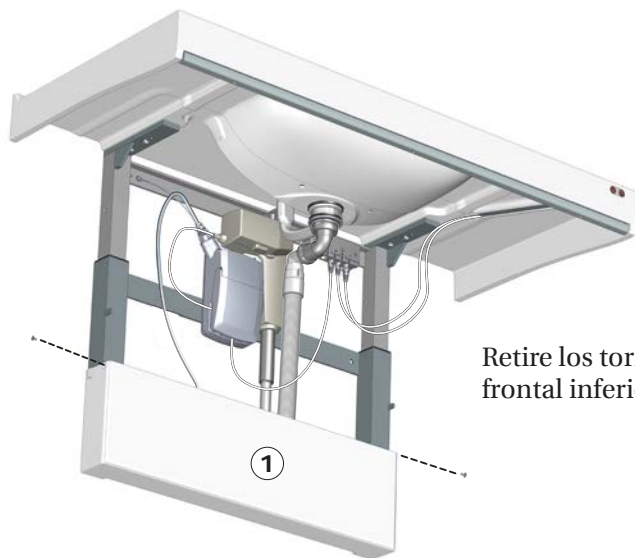
Vuelva a colocar la cubierta frontal y la superior.

Vuelva a conectar la electricidad.

Baje el lavabo hasta la posición más baja y luego vuélvalo a elevar hasta la posición más alta para distribuir el lubricante.

es

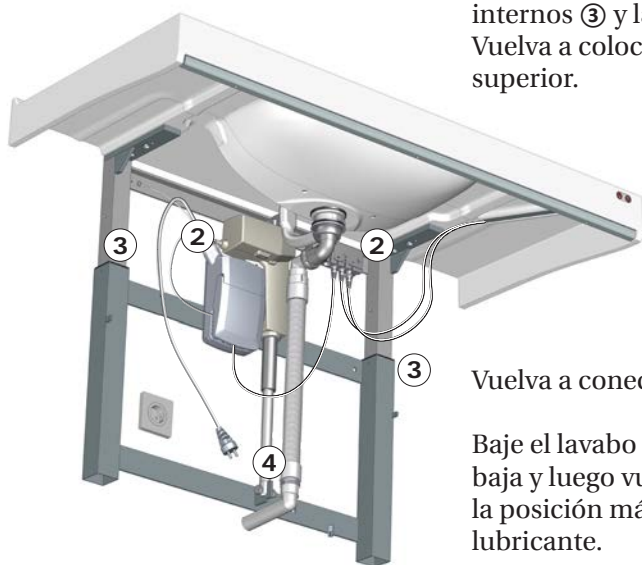
## Para R4870 y 4875



Retire los tornillos y la cubierta frontal inferior ①.

Compruebe todas las conexiones eléctricas ②.

Lubrique los tubos cuadrados internos ③ y la varilla del actuador ④. Vuelva a colocar la cubierta frontal y la superior.

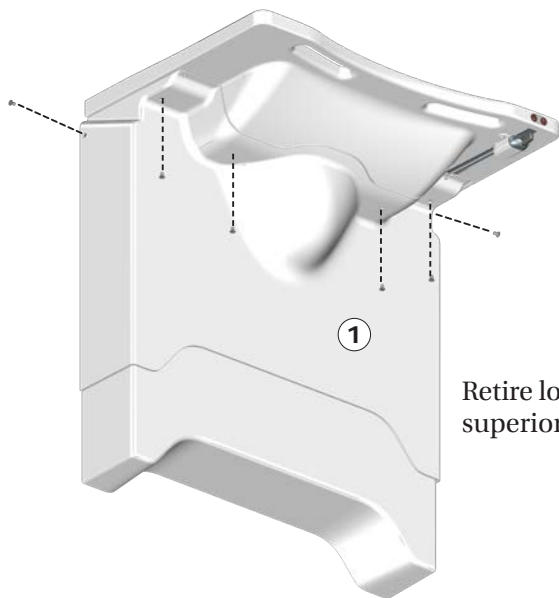


Vuelva a conectar la electricidad.

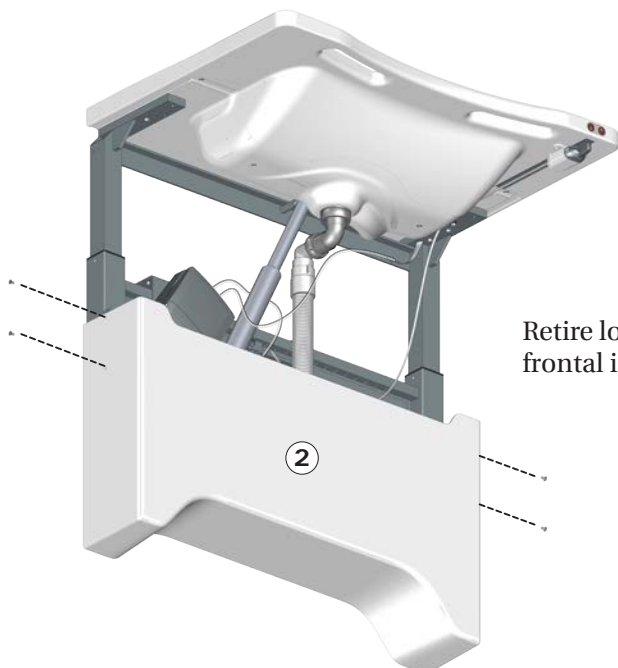
Baje el lavabo hasta la posición más baja y luego vuélvalo a elevar hasta la posición más alta para distribuir el lubricante.

**Para R482219, R482719, R485019, R485219, R485519,  
R485719**

Eleve el lavabo hasta la posición más alta.

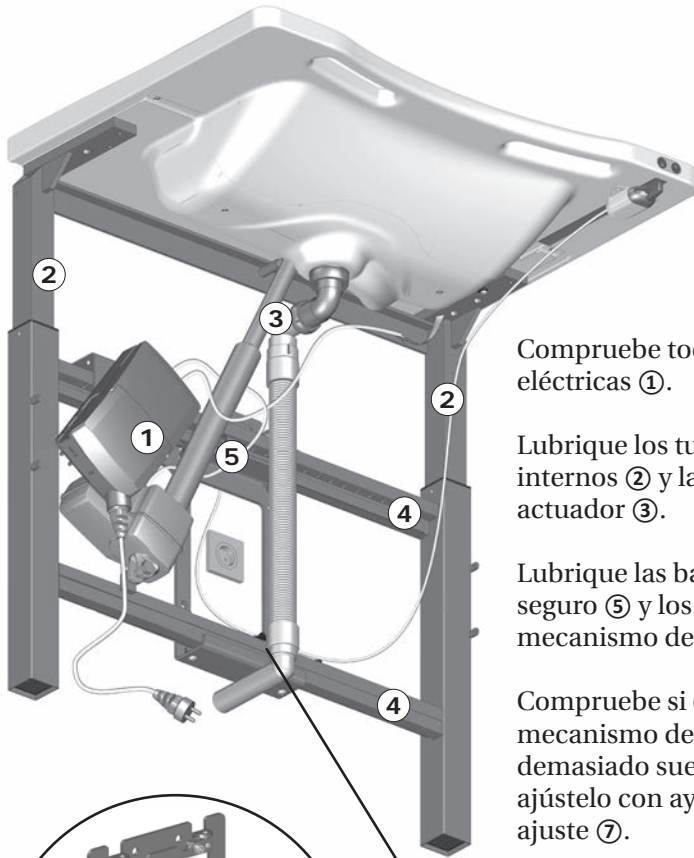


Retire los tornillos y la cubierta frontal superior ①.



Retire los tornillos y la cubierta frontal inferior ②.

es

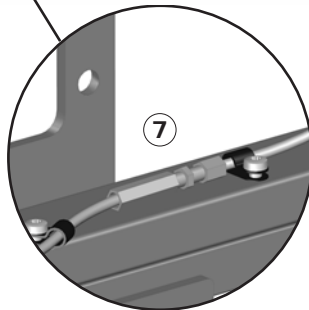
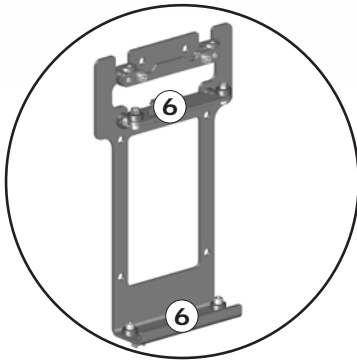


Compruebe todas las conexiones eléctricas ①.

Lubrique los tubos cuadrados internos ② y la varilla del actuador ③.

Lubrique las barras ④, el seguro ⑤ y los cojinetes ⑥ del mecanismo de deslizamiento.

Compruebe si el cable del mecanismo de bloqueo está demasiado suelto. Si es así, ajústelo con ayuda del tornillo de ajuste ⑦.



es

Vuelva a colocar la cubierta frontal y la superior y vuelva a conectar la electricidad.

Baje el lavabo hasta la posición más baja y luego vuélvalo a elevar hasta la posición más alta para distribuir el lubricante.

Deslice también el elevador del lavabo hasta las posiciones finales izquierda y derecha.





⑩ Clase IP

---

⑪ Corriente eléctrica

---

⑫ Código de barras GS1-128

---

⑬ Indicación de peso

---

⑭ Código de lote

---

⑮ Conformidad evaluada del Reino Unido

---

Estos productos cuentan con marcado CE de conformidad con los requisitos incluidos en:

- Reglamento (UE) 2017/745 (del 5 de abril de 2017) sobre productos sanitarios.

⑯ • Directiva 2006/42/CE del Consejo (del 17 de mayo de 2006) sobre maquinaria.

- Directiva 2011/65/CE del Consejo (del 8 de junio de 2011) sobre RoHS.

Puede encontrar la declaración de conformidad en [pressalit.com](http://pressalit.com)

---

⑰ Este producto no contiene sustancias peligrosas mencionadas en la Directiva 2011/65/CE del Consejo sobre RoHS.

---

⑱ Nombre del producto (si hay)

---

No deseche el producto como residuo urbano no clasificado. El producto debería recogerse por separado y ser trasladado al centro de reciclaje designado.

⑳ Pieza aplicada de tipo BF. Parte del producto entra en contacto físico con el paciente durante su uso normal. El producto cumple los requisitos de la normativa IEC 60601-1 para garantizar la protección frente a descargas eléctricas.

---

㉑ Ciclo de trabajo

---

㉒ Consulte el manual para conocer la información de precaución importante como las advertencias y las precauciones.

---

㉓ Consulte el manual de uso.

---

㉔ Nombre y dirección del fabricante

---

㉕ Aparato eléctrico con aislamiento doble

---

## Solución de problemas

Síntoma	Causa	Acción
Los botones operativos no funcionan.	Error del suministro de corriente.	Compruebe que todos los cables y enchufes estén en buen estado y conectados correctamente. Póngase en contacto con Pressalit A/S o su distribuidor local.
El producto sube y baja de forma irregular.	Los tubos cuadrados internos no están bien lubricados.	Lubrique los tubos cuadrados internos como se describe en el apartado "Mantenimiento".
El producto no se puede desplazar lateralmente.	Hay mangueras o cables atascados.	Retire la(s) cubierta(s) y compruebe si hay algún atasco.
	El mecanismo de bloqueo puede estar atascado.	Compruebe el seguro y el cable como se describe en el apartado "Mantenimiento".
El sistema de seguridad no funciona.	Interruptores defectuosos.	Compruebe si alguno de los contactos del sistema de seguridad está atascado y, en tal caso, desenrédelo. Si no puede solucionar el problema, sustituya los contactos afectados. El sistema de seguridad funciona únicamente si puede detectar la corriente. Recuerde realizar un reajuste tal como se describe en el apartado "Reajuste del elevador del lavabo".

Póngase en contacto con Pressalit o su distribuidor si no logra solucionar el problema. No intente reparar el producto usted mismo, ya que anularía la garantía.

es

# Compatibilidad electromagnética

El dispositivo es apto para uso doméstico, en centros de asistencia, en centros de día para personas con discapacidades físicas o mentales o en hospitales, excepto cerca de equipos quirúrgicos de alta frecuencia activos y salas blindadas de RF con sistemas médicos para imágenes de resonancia magnética con alta intensidad de perturbaciones electromagnéticas.

El dispositivo no dispone de ninguna función relacionada con la seguridad o el rendimiento básico. En caso de pérdida o deterioro del rendimiento provocados por perturbaciones electromagnéticas, la seguridad del usuario no se ve afectada.

<b>Cable</b>	<b>Longitud</b>
Cable de energía	3,2 m
Cable espiral de control manual	Aprox. 5 m extendido





## ADVERTENCIA

- El uso de accesorios, transductores y cables distintos de los especificados o proporcionados por el fabricante podría provocar un aumento de las emisiones electromagnéticas o una disminución de la inmunidad electromagnética de este equipo y provocar un funcionamiento incorrecto.
- Los equipos de comunicación por RF portátiles (incluidos periféricos como cables de antena o antenas externas) no deben utilizarse a menos de 30 cm de cualquier parte de la unidad, incluidos los cables, para evitar cualquier tipo de degradación del rendimiento de la unidad.
- Debe evitarse el uso del equipo junto a otros equipos, o montado encima o debajo de otros equipos, puesto que podría dejar de funcionar correctamente. Si tal uso es necesario, este equipo y los demás equipos deben ser observados para verificar que funcionan con normalidad.

es

## Inmunidad electromagnética

<b>Descarga electrostática</b>	
	El producto no debe verse afectado por descargas eléctricas entre la persona y el producto de tal manera que se inicien acciones o los componentes resulten defectuosos.
<b>Normativa de prueba</b>	<b>Nivel de prueba de inmunidad</b>
EN 61000-4-2	+/- 8 kV por contacto +/- 2, 4, 8, 15 kV en el aire

<b>Campo electromagnético de RF radiado</b>	
	El producto no debe verse afectado por la radiación de las señales de RF, por ejemplo, de un teléfono móvil o una radio, que pudiera causar que el producto iniciara alguna acción o que los componentes sean defectuosos.
<b>Normativa de prueba</b>	<b>Nivel de prueba de inmunidad</b>
EN 61000-4-3	15 V/m, de 80 MHz a 1000 MHz 15 V/m, de 1,01 GHz a 6 GHz 80 % AM 1 kHz

## Inmunidad a campos de proximidad de equipos de comunicación inalámbrica por RF



El producto no debe verse afectado por la radiación de las señales de RF, por ejemplo, de un teléfono móvil o una radio, que pudiera causar que el producto iniciara alguna acción o que los componentes sean defectuosos.

### Normativa de prueba

### Nivel de prueba de inmunidad

EN 61000-4-3\*

385 MHz, 27 V/m, 18 Hz PM (onda cuadrada de ciclo de trabajo del 50 %)  
 450 MHz, 28 V/m, desviación FM +/- 5 kHz, onda sinusoidal de 1 kHz  
 710 MHz, 9 V/m, 217 Hz PM (onda cuadrada de ciclo de trabajo del 50 %)  
 745 MHz, 9 V/m, 217 Hz PM (onda cuadrada de ciclo de trabajo del 50 %)  
 780 MHz, 9 V/m, 217 Hz PM (onda cuadrada de ciclo de trabajo del 50 %)  
 810 MHz, 28 V/m, 18 Hz PM (onda cuadrada de ciclo de trabajo del 50 %)  
 870 MHz, 28 V/m, 18 Hz PM (onda cuadrada de ciclo de trabajo del 50 %)  
 930 MHz, 28 V/m, 18 Hz PM (onda cuadrada de ciclo de trabajo del 50 %)  
 1720 MHz, 28 V/m, 217 Hz PM (onda cuadrada de ciclo de trabajo del 50 %)  
 1845 MHz, 28 V/m, 217 Hz PM (onda cuadrada de ciclo de trabajo del 50 %)  
 1970 MHz, 28 V/m, 217 Hz PM (onda cuadrada de ciclo de trabajo del 50 %)  
 2450 MHz, 28 V/m, 217 Hz PM (onda cuadrada de ciclo de trabajo del 50 %)  
 5240 MHz, 9 V/m, 217 Hz PM (onda cuadrada de ciclo de trabajo del 50 %)  
 5500 MHz, 9 V/m, 217 Hz PM (onda cuadrada de ciclo de trabajo del 50 %)  
 5785 MHz, 9 V/m, 217 Hz PM (onda cuadrada de ciclo de trabajo del 50 %)

**Transitorios/Ráfagas eléctricas rápidos**

El producto no debe verse afectado por señales de pulso rápidas a través del cable. Esto podría provocar que los componentes resulten defectuosos o que el producto pudiera iniciar acciones.

**Normativa de prueba****Nivel de prueba de inmunidad**

EN 61000-4-4

+/- 1 kV, +/- 2 kV  
Frecuencia de repetición de 100 kHz

**Inmunidad a sobretensiones**

El producto no debe verse afectado para iniciar acciones o provocar que los componentes resulten defectuosos como resultado de un rayo.

**Normativa de prueba****Nivel de prueba de inmunidad**

EN 61000-4-5

Línea a línea: +/- 0,5 kV, +/- 1 kV  
Línea a tierra: +/- 0,5 kV, +/- 1 kV, +/- 2 kV (N/A)


**Inmunidad a alteraciones conducidas inducidas por campos de RF**

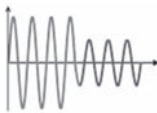
Los cables no deben verse afectados por otros campos de RF de manera que inicien acciones o provoquen que los componentes resulten defectuosos.


**Normativa de prueba****Nivel de prueba de inmunidad**

EN 61000-4-6

3 V (6 V en bandas ISM y bandas de radioaficionados)  
De 0,15 a 80 MHz, 80 % AM a 1 kHz


<b>Inmunidad al campo magnético de la frecuencia de potencia</b>	
	El producto no debe verse afectado para iniciar acciones o provocar que los componentes resulten defectuosos como resultado de campos magnéticos.
<b>Normativa de prueba</b>	
EN 61000-4-8	30 A/m, 60 Hz


<b>Caídas de tensión</b>	
	El producto no debe iniciar ni limitar acciones como resultado de una caída del suministro de energía.
<b>Normativa de prueba</b>	<b>Nivel de prueba de inmunidad</b>
EN 61000-4-11	0 % $U_T$ ; 0,5 ciclos a 0°, 45°, 90°, 135°, 180°, 225°, 270° y 315° 0 % $U_T$ ; 1 ciclo a 0° 70 % $U_T$ ; 25 ciclos a 0° Monofásico a 0°


<b>Interrupciones de voltaje</b>	
	El producto no debe iniciar ni limitar acciones como resultado de una parada breve del suministro de energía.
<b>Normativa de prueba</b>	<b>Nivel de prueba de inmunidad</b>
EN 61000-4-11	0 % $U_T$ ; 300 ciclos




## Emisión electromagnética

<b>Emisión de RF conducida</b>	
	El producto no debe enviar demasiado ruido a la red. Eso podría provocar la interrupción de otros productos.
<b>Normativa de prueba</b>	<b>Clase y grupo de prueba de emisiones</b>
EN 55011	Clase B, grupo 1

<b>Emisión de RF radiada</b>	
	El producto no debe emitir señales de RF en la sala. Eso podría provocar la interrupción de otros productos.
<b>Normativa de prueba</b>	<b>Clase y grupo de prueba de emisiones</b>
EN 55011	Clase B, grupo 1

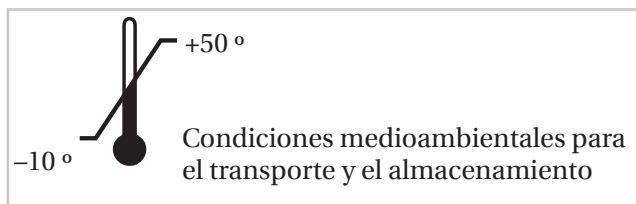
<b>Emisiones de corrientes armónicas</b>	
	El producto no debe consumir energía de la red de forma involuntaria.
<b>Normativa de prueba</b>	<b>Clase y grupo de prueba de emisiones</b>
IEC 61000-3-2	Clase A

<b>Cambios de voltaje, fluctuaciones de voltaje y parpadeo</b>	
	El producto no debe afectar a otros productos cuando está conectado a la red. Por ejemplo, podría haber luces que comiencen a parpadear y, por lo tanto, molestar a las personas en la habitación.
<b>Normativa de prueba</b>	<b>Clase y grupo de prueba de emisiones</b>
EN 61000-3-3	Probado según la normativa.

## Datos técnicos

Materiales	Acero inoxidable lacado en polvo. Plástico (PVC, poliestirenom, ABS).
Clase IP	Los componentes eléctricos tienen un valor de protección de ingreso IPX6. El producto no puede ser sumergido en agua, pero se ha diseñado para soportar fuertes chorros de agua (boquilla de 12,5 mm) desde cualquier dirección.
Nivel de presión sonora medido	48 dB

## Almacenamiento y transporte



- La temperatura para el transporte y el almacenamiento de la unidad debe estar comprendida entre  $-10$  y  $50$  grados.
- La unidad debe transportarse siempre en el embalaje original.
- Evite golpes y sacudidas al embalaje.
- No utilice el producto si el embalaje está roto o dañado.

## Eliminación y reciclaje

La unidad contiene materiales reutilizables. No se conocen peligros o riesgos relacionados con la eliminación del producto. Todos los componentes pueden ser desechados una vez limpiados y desinfectados.

Para eliminar el producto, se recomienda desmontarlo y separar sus piezas en diferentes grupos de residuos para su reciclaje o combustión.

En la siguiente tabla encontrará información sobre el reciclaje y la gestión del producto.

<b>Componentes reciclables</b>	<b>Material</b>
Acero	El acero puede reciclarse mediante fundición e incluirse en un material secundario para la producción de acero nuevo.
Plásticos	Utilice los sistemas de clasificación y reciclaje disponibles localmente; si no los hubiera, la incineración de plástico tiene el beneficio añadido de generar energía, que puede utilizarse para la producción combinada de calor y energía.
Componentes electrónicos	Los componentes electrónicos deberían recogerse por separado y ser trasladados al centro de reciclaje designado.

# Contenuto

Istruzioni per il montaggio .....	221
Simboli utilizzati in questo manuale .....	222
Indicazioni generali di sicurezza .....	223
Distanze di sicurezza .....	224
Uso previsto .....	226
Profilo dell'operatore previsto .....	226
Profilo dell'utente previsto .....	226
Ambiente di utilizzo .....	226
Controindicazioni .....	226
Istruzioni per l'uso .....	227
Regolazione laterale .....	228
Barriera di protezione .....	229
Reset del sollevatore per lavabo .....	229
Pulizia .....	230
Manutenzione .....	231
Ispezione di manutenzione .....	231
Etichetta del prodotto .....	236
Risoluzione dei problemi .....	238
Compatibilità elettromagnetica .....	239
Immunità elettromagnetica .....	240
Emissioni elettromagnetiche .....	244
Dati tecnici .....	245
Stoccaggio e trasporto .....	245
Smaltimento e riciclaggio .....	246

## Istruzioni per il montaggio













Il prodotto contiene le istruzioni per il montaggio. Queste possono essere scaricate anche dal sito [pressalit.com](http://pressalit.com).

# Simboli utilizzati in questo manuale

In questo manuale e nella relativa documentazione fornita con il prodotto vengono utilizzati i simboli descritti in basso.

 <b>AVVERTENZA</b>	<b>AVVERTENZA:</b> indica una situazione potenzialmente pericolosa che, se non evitata, potrebbe causare morte o gravi lesioni.
 <b>ATTENZIONE</b>	<b>ATTENZIONE:</b> indica una situazione potenzialmente pericolosa che, se non evitata, può provocare lesioni lievi o moderate. Questo simbolo viene usato anche per mettere in guardia da pratiche non sicure.
<b>IMPORTANTE</b>	<b>IMPORTANTE:</b> indica informazioni importanti relative alla gestione e all'uso del prodotto.
<b>AVVISO</b>	<b>AVVISO:</b> è usato per indicare pratiche non legate alla sicurezza personale.

 <p>Avvertenza: pericolo di lesioni alla testa</p>	 <p>Avvertenza: pericolo di lesioni alle mani</p>	 <p>Avvertenza: pericolo di lesioni agli organi genitali</p>	 <p>Avvertenza: pericolo di lesioni ai piedi</p>
 <p>Avvertenza su elettricità e tensione</p>	 <p>Prodotti compatibili</p>	 <p>Codice articolo/ versioni</p>	 <p>Specifiche di alimentazione</p>
 <p>Peso del prodotto</p>	 <p>Peso massimo dell'utilizzatore</p>		

## Indicazioni generali di sicurezza

### **AVVERTENZA**

- Leggere e comprendere a fondo il manuale prima dell'uso. Conservare il manuale in prossimità dell'unità.
- Attenersi alle indicazioni fornite nel presente manuale per evitare incidenti associati a gravi lesioni personali.
- Non utilizzare o maneggiare il prodotto in modi diversi da quelli specificati nel presente manuale; in caso contrario, si rischia di mettere a repentaglio la propria sicurezza e di danneggiare il prodotto.
- Accertarsi che tutti coloro che devono installare o utilizzare il prodotto e i suoi sistemi dispongano delle informazioni necessarie e abbiano accesso al presente manuale.

### **ATTENZIONE**

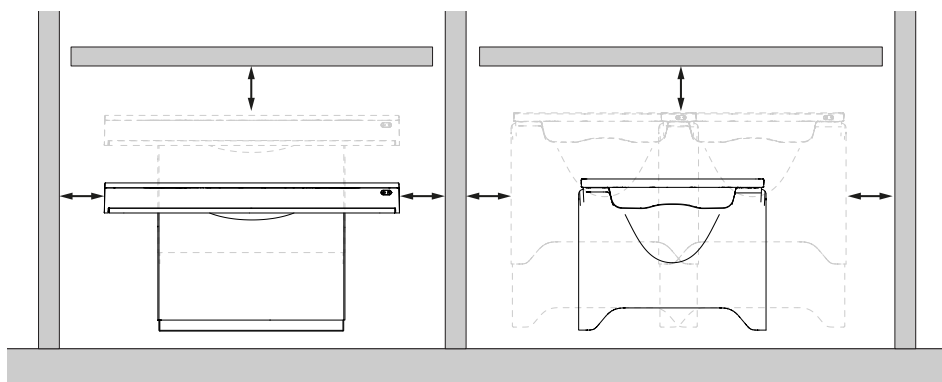
- Attenersi alle presenti istruzioni per evitare che il prodotto venga danneggiato o distrutto.
- Non eseguire riparazioni, operazioni di smontaggio o montaggio, estensioni, regolazioni o modifiche al prodotto. Tali operazioni devono essere eseguite esclusivamente da Pressalit o da persone autorizzate da Pressalit.
- Non consentire ai bambini di utilizzare questo prodotto se non supervisionati. Il prodotto non è un gioco.
- Non utilizzare mai il prodotto se è difettoso o danneggiato. Non utilizzare un prodotto difettoso prima che sia stato riparato.







### **AVVISO**

- Le informazioni contenute in questo manuale si basano sulla corretta installazione del prodotto in conformità alle nostre istruzioni di montaggio.
- Pressalit non può essere ritenuta responsabile se il prodotto viene utilizzato in modo diverso da quello descritto nella guida.
- Ci riserviamo il diritto di modificare il presente manuale senza obbligo di preavviso.

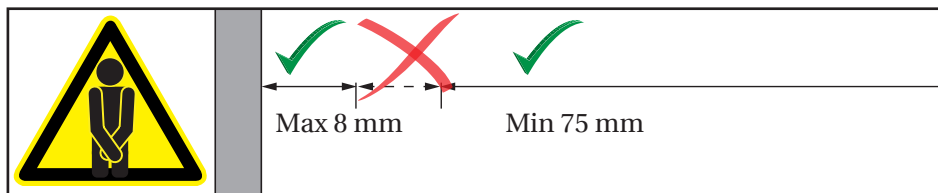
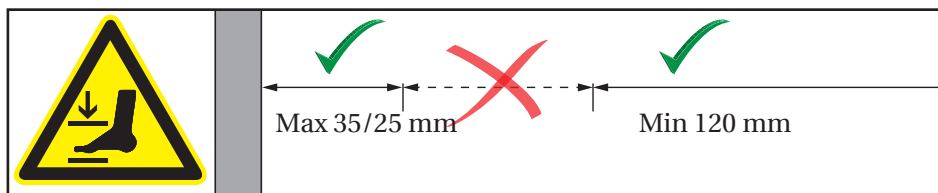
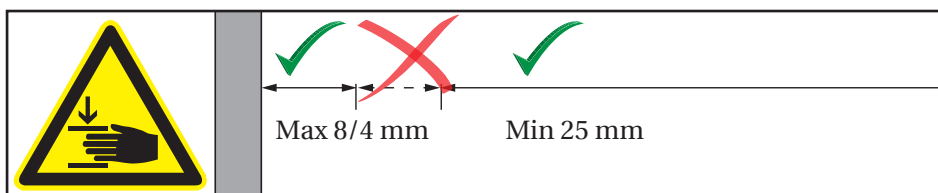
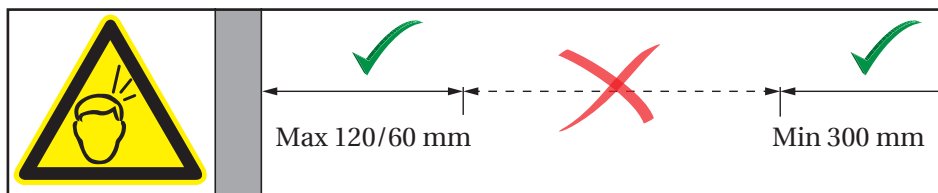
## Distanze di sicurezza

Assicurarsi che il sollevatore per lavabo sia a distanza di sicurezza dagli oggetti circostanti. Controllare le distanze prima di ogni utilizzo.



ISO 17966:2016		
	Max 120 mm Min 300 mm	Max 60 mm Min 300 mm
	Max 8 mm Min 25 mm	Max 4 mm Min 25 mm
	Max 35 mm Min 120 mm	Max 25 mm Min 120 mm
	Max 8 mm Min 75 mm	Max 8 mm Min 75 mm

it



## AVVERTENZA

Se l'unità si muove nel rispetto delle distanze di sicurezza, è necessario prestare particolare attenzione alle persone e agli oggetti circostanti per evitare rischi di schiacciamento.



## Uso previsto

Questo prodotto è stato concepito per garantire un'ergonomia ottimale del lavabo per gli utenti disabili, sia seduti che in piedi.

### Profilo dell'operatore previsto

Il prodotto può essere utilizzato da tutti: adulti, bambini, giovani e anziani.

### Profilo dell'utente previsto

Il prodotto può essere utilizzato da tutti: adulti, bambini, giovani e anziani.

### Ambiente di utilizzo

Per uso interno in ambienti umidi, come i bagni. Il prodotto è destinato all'uso a temperatura ambiente, in case private, case di cura e ospedali in condizioni di utilizzo normali.

### Controindicazioni

L'uso di questo sollevatore per lavabo è sconsigliato alle persone che non sono in grado di mantenere l'equilibrio in posizione eretta.



### ATTENZIONE

La superficie del prodotto può diventare calda e/o fredda se esposta a fonti esterne di calore o di freddo (ad es. luce solare o gelo).

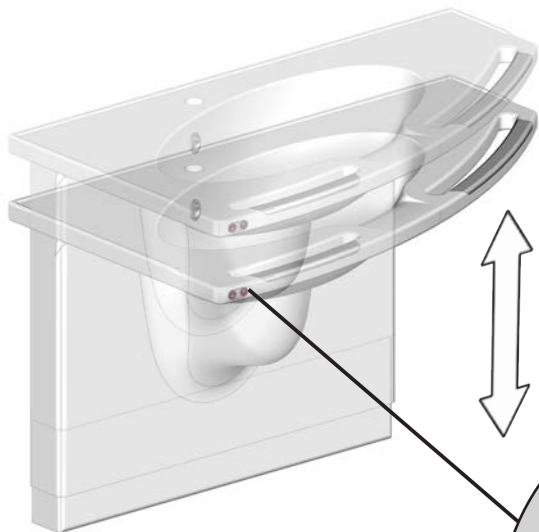
### AVVISO

Eventuali incidenti gravi verificatisi in relazione al prodotto devono essere segnalati al produttore e alle autorità sanitarie.

## Istruzioni per l'uso

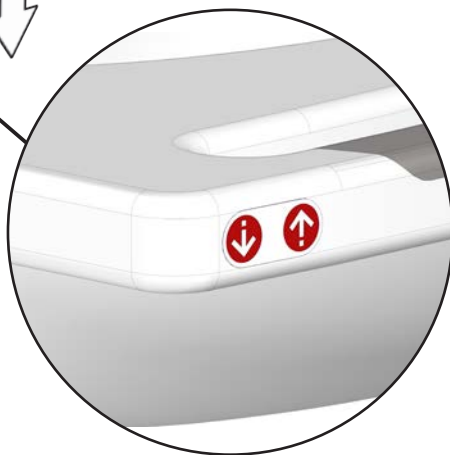
I modelli di sollevatore per lavabo R4822, R4827, R4828, R4850, R4855, R4852, R4857, R4870 e R4875 possono essere sollevati o abbassati di 200 mm.

**Il carico massimo è di 150 kg.**



Per regolare l'altezza utilizzare i pulsanti di comando sul bordo anteriore del lavabo.

Tenere premuto il pulsante con la freccia in alto per sollevare il lavabo e tenere premuto il pulsante con la freccia in basso per abbassarlo. Quando si rilascia il pulsante, il movimento si arresta.



**ATTENZIONE**

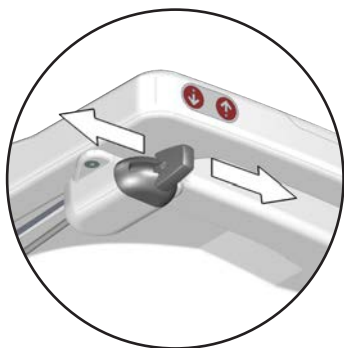
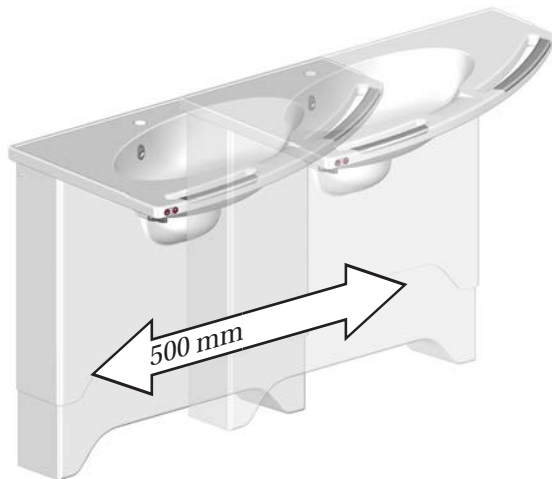
Non collocare mai alcun oggetto sotto al lavabo.



**Per evitare lesioni non avvicinare le mani alle parti meccaniche in movimento.**

## Regolazione laterale

I modelli di sollevatore per lavabo R482219, R482719, R485019, R485519, R485219 e R485719 possono essere sollevati o abbassati di 300 mm verso l'alto e verso il basso e di 500 mm verso sinistra o verso destra.



**Il carico massimo è di 150 kg.**  
Sbloccare il meccanismo di scorrimento tenendo premuto il pulsante di regolazione laterale a destra o a sinistra.

Afferrare le maniglie del lavabo e spingere il sollevatore per lavabo verso destra o verso sinistra. Lo scorrimento del sollevatore è fluido, pertanto non è necessario uno sforzo eccessivo.

Quando il sollevatore per lavabo raggiunge la posizione desiderata, rilasciare il pulsante di regolazione laterale; il sollevatore si bloccherà emettendo un clic.

### **ATTENZIONE**

Prima di utilizzare il dispositivo o regolarne l'altezza, accertarsi che il meccanismo di bloccaggio sia correttamente inserito. A tale scopo, spingere il sollevatore per lavabo verso destra o verso sinistra fino a sentire uno scatto.

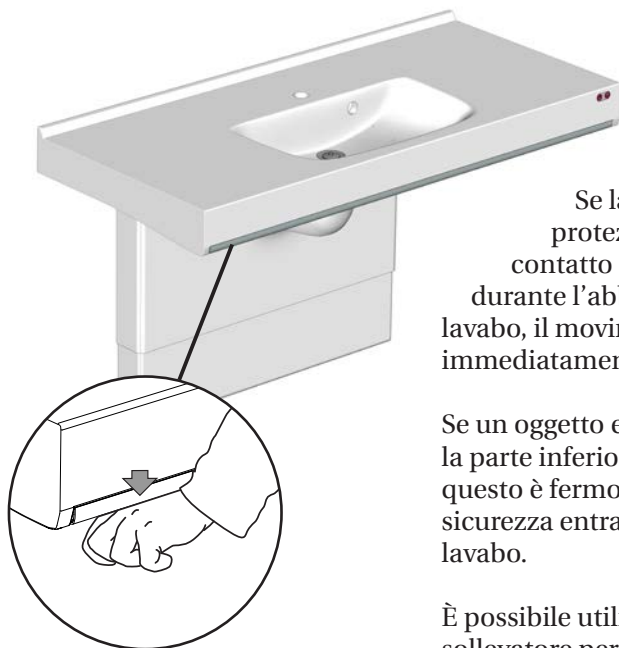


**Quando si sposta lateralmente il sollevatore per lavabo, fare attenzione a non procurarsi lesioni ai piedi.**

it

## Barriera di protezione

I sollevatori per lavabo **R4870** e **R4875** sono dotati di una barriera di protezione.



Se la barriera di protezione entra in contatto con un oggetto durante l'abbassamento del lavabo, il movimento si arresta immediatamente.

Se un oggetto entra in contatto con la parte inferiore del lavabo quando questo è fermo, la funzione di sicurezza entra in azione e solleva il lavabo.

È possibile utilizzare nuovamente il sollevatore per lavabo non appena l'ostacolo viene rimosso.

### Reset del sollevatore per lavabo

Se il sollevatore per lavabo si blocca, provare a resettarlo.

- ① Assicurarsi che la barriera di protezione non sia attivata. Abbassare il sollevatore per lavabo fino alla posizione di partenza.
- ② Rilasciare il pulsante di abbassamento e dopo 3-4 secondi premerlo nuovamente fino a sentire un leggero scatto dopo circa 10 secondi.
- ③ Rilasciare il pulsante di abbassamento e sollevare il sollevatore per lavabo fino alla posizione più alta. Si sentirà un altro scatto.
- ④ Abbassare il sollevatore per lavabo di circa due centimetri.
- ⑤ Sollevarlo nuovamente nella posizione più alta. Si sentirà un altro scatto. Il sollevatore per lavabo è ora resettato. Il sollevatore per lavabo deve essere resettato anche in caso di interruzione dell'alimentazione elettrica.

# Pulizia

Il prodotto deve essere pulito con acqua calda o con un detergente delicato e sapone.

Per conoscere quali prodotti per la pulizia sono stati testati e approvati da Pressalit per il prodotto specifico, visitare il sito [Pressalit.com](http://Pressalit.com) e fare riferimento al codice articolo del prodotto.

Pressalit raccomanda di pulire il prodotto dopo l'installazione.



## ATTENZIONE

Leggere sempre la scheda di sicurezza (MSDS) e le istruzioni fornite per detergente, disinfettante o disincrostante e attenersi alle istruzioni per l'uso, la diluizione, il risciacquo, l'asciugatura, la manipolazione e lo stoccaggio in sicurezza dell'agente in questione.

## IMPORTANTE

- Non utilizzare autoclave o altro tipo di pulitore a vapore.
- Evitare detergenti aggressivi contenenti acidi.
- Non rivolgere il getto diretto di un'idropulitrice sul prodotto.
- Per la disinfezione delle superfici, è possibile utilizzare disinfettanti a base di cloro in conformità alle specifiche del prodotto e alle precauzioni di sicurezza per questi prodotti.

# Manutenzione

La vita utile del sollevatore per lavabo è di 10 anni, a condizione che sul dispositivo venga eseguita la manutenzione descritta di seguito.

Si consiglia di attivare una volta a settimana i motori del prodotto per sollevarlo fino alla altezza massima e poi abbassarlo fino all'altezza minima, in modo da lubrificare le parti interne.

Si raccomanda di eseguire un'ispezione di manutenzione una volta all'anno.

## Ispezione di manutenzione

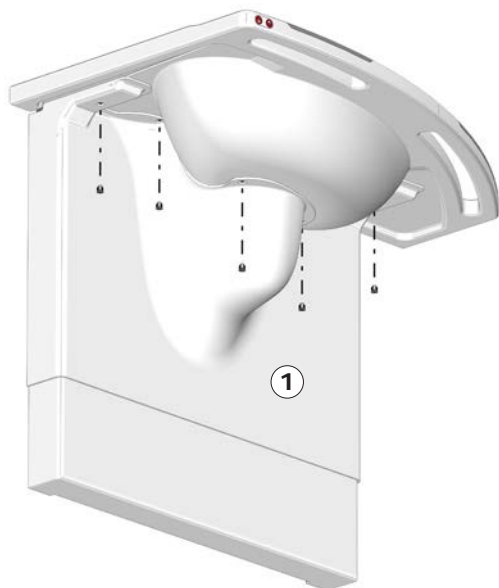
Portare il lavabo nella posizione più alta.

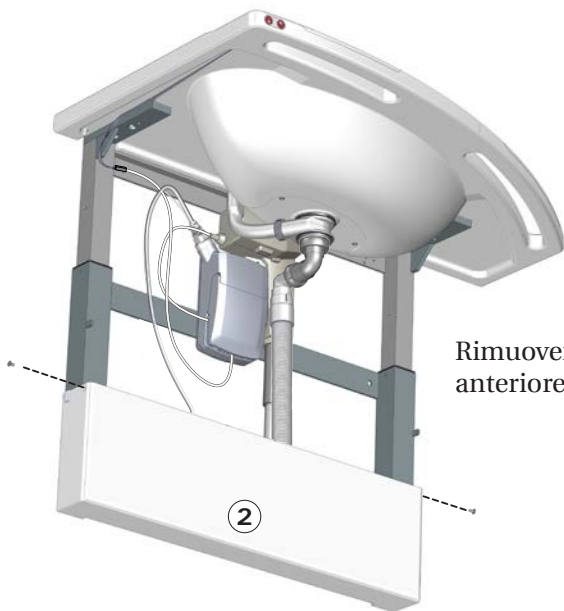


**Scollegare il dispositivo dalla rete elettrica prima di rimuovere i coperchi.**

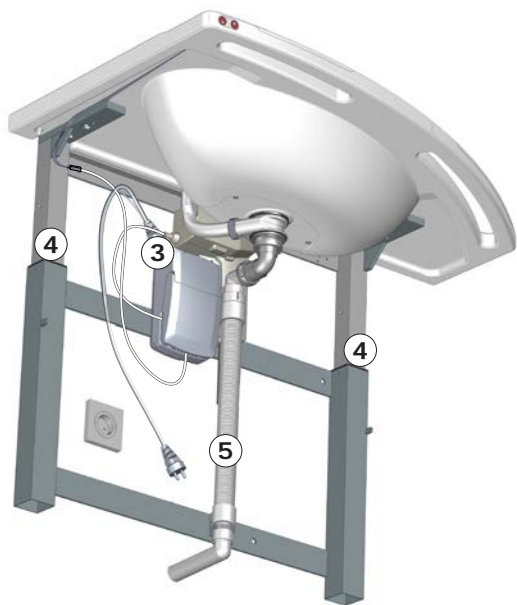
Rimuovere le viti e il coperchio anteriore superiore ①.

**Per i modelli R4822, R4827, R4828, R4850, R4855, R4852 e R4857**





Rimuovere le viti e il coperchio anteriore inferiore ②.



Controllare tutti i collegamenti elettrici ③.

Lubrificare i tubi con sezione quadra interni ④ e l'attuatore ad asta ⑤.

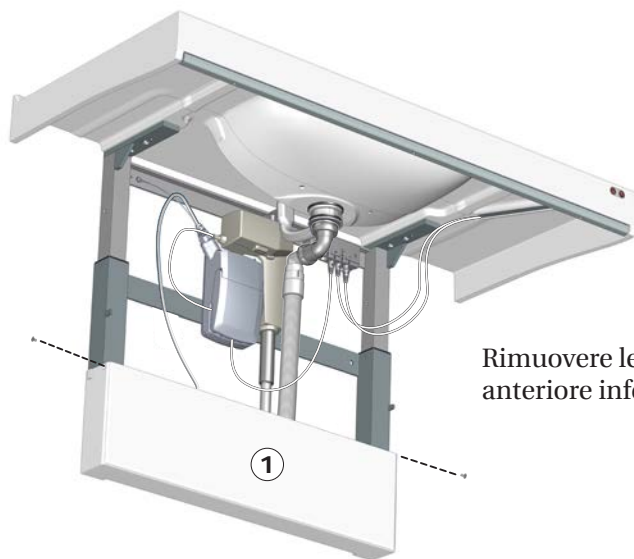
Rimontare i coperchi anteriore e superiore.

Ricollegare il dispositivo alla rete elettrica.

Portare il lavabo nella posizione più bassa, quindi farlo scorrere nuovamente verso la posizione più alta per distribuire il lubrificante.

it

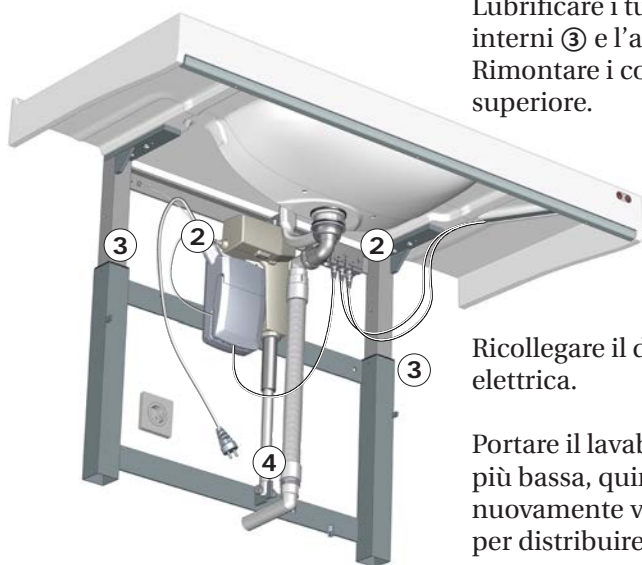
## Per i modelli R4870 e 4875



Rimuovere le viti e il coperchio anteriore inferiore ①.

Controllare tutti i collegamenti elettrici ②.

Lubrificare i tubi con sezione quadra interni ③ e l'attuatore ad asta ④.  
Rimontare i coperchi anteriore e superiore.



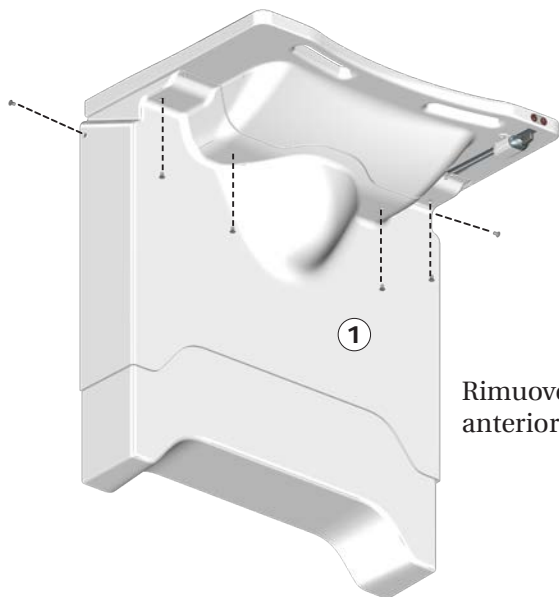
Ricollegare il dispositivo alla rete elettrica.

Portare il lavabo nella posizione più bassa, quindi farlo scorrere nuovamente verso la posizione più alta per distribuire il lubrificante.

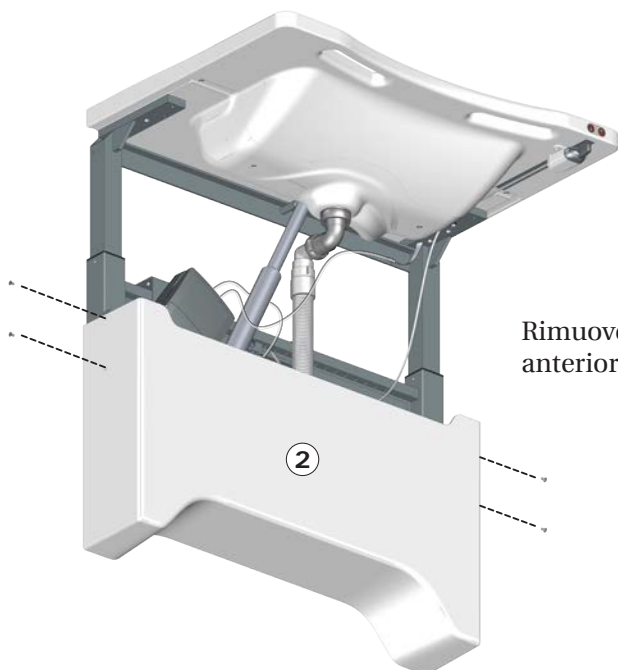


**Per i modelli R482219, R482719, R485019, R485219, R485519,  
R485719**

Portare il lavabo nella  
posizione più alta.

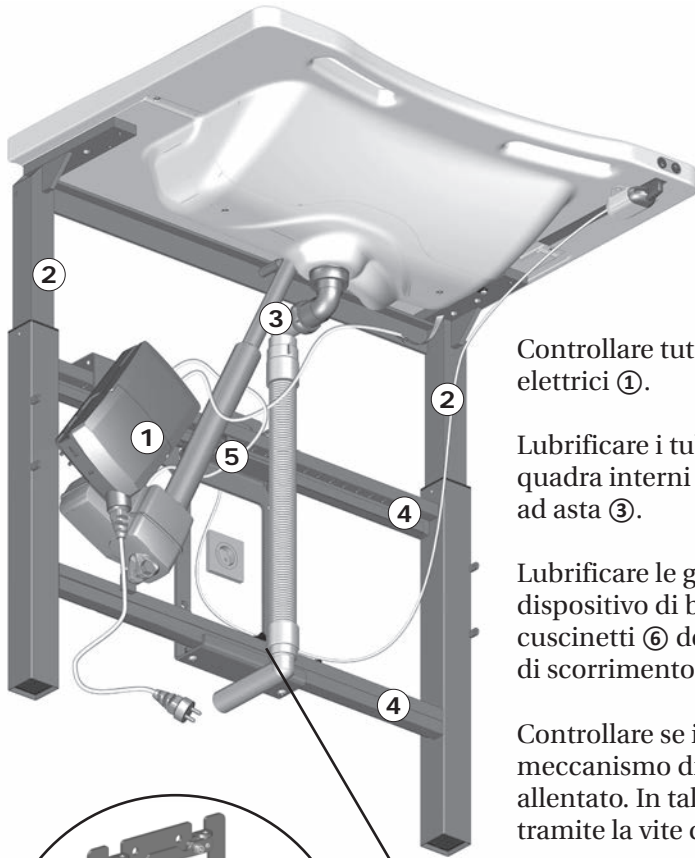


Rimuovere le viti e il coperchio  
anteriore superiore ①.



Rimuovere le viti e il coperchio  
anteriore inferiore ②.

it

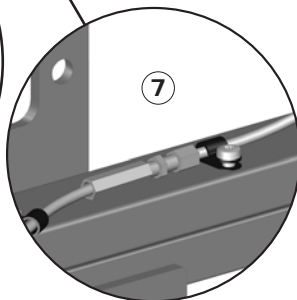
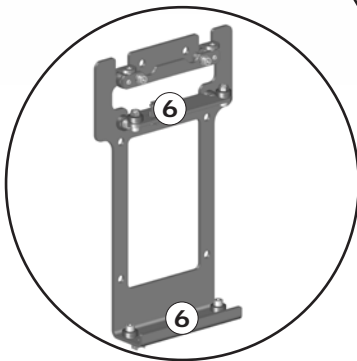


Controllare tutti i collegamenti elettrici ①.

Lubrificare i tubi con sezione quadra interni ② e l'attuatore ad asta ③.

Lubrificare le guide ④, il dispositivo di blocco ⑤ e i cuscinetti ⑥ del meccanismo di scorrimento.

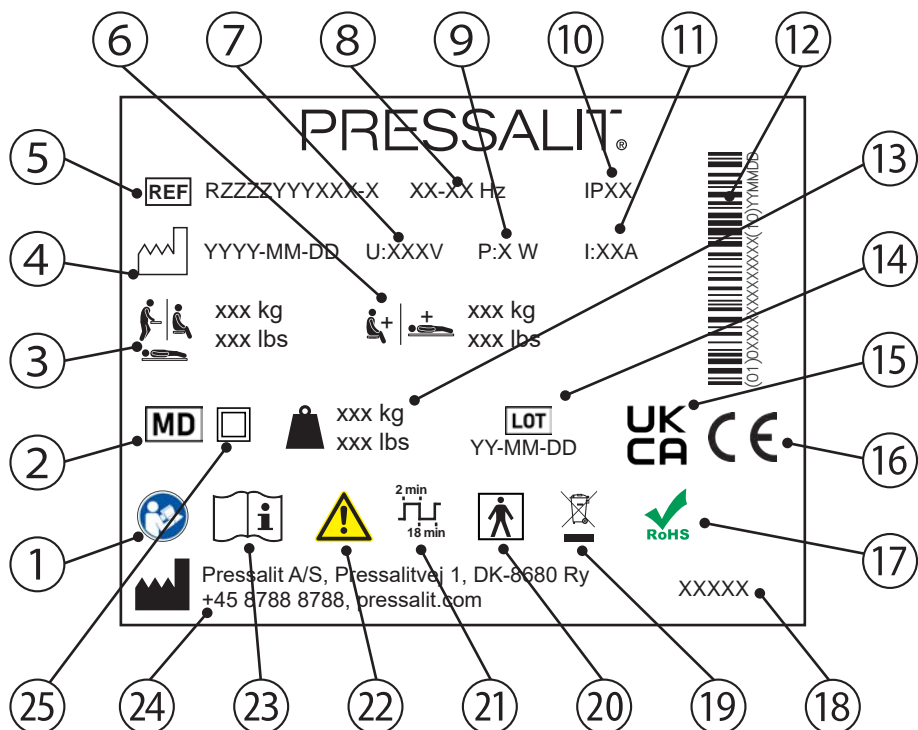
Controllare se il cavo del meccanismo di blocco è troppo allentato. In tal caso, serrarlo tramite la vite di regolazione ⑦.



it

Rimontare i coperchi anteriore e superiore e ricollegare il dispositivo alla rete elettrica. Portare il lavabo nella posizione più bassa, quindi farlo scorrere nuovamente verso la posizione più alta per distribuire il lubrificante. Quindi spostare il sollevatore per lavabo all'estrema destra e poi all'estrema sinistra.

# Etichetta del prodotto



- ① Consultare il manuale d'uso

---

- ② Dispositivo medico

---

- ③ Peso massimo dell'utilizzatore

---

- ④ Data di produzione

---

- ⑤ Codice articolo

---

- ⑥ Portata massima

---

- ⑦ Tensione di rete

---

- ⑧ Frequenza

---

- ⑨ Consumo energetico massimo

⑩ Classe IP

---

⑪ Corrente elettrica

---

⑫ Codice a barre GS1-128

---

⑬ Peso del prodotto

---

⑭ Codice lotto

---

⑮ Conformità britannica comprovata

---

Questi prodotti sono dotati di marchio CE in conformità ai requisiti applicabili relativi a:

- Regolamento (UE) 2017/745 (5 aprile 2017) relativo ai dispositivi medici.
- Direttiva 2006/42/CE del Consiglio (del 17 maggio 2006) relativa alle macchine.
- Direttiva (RoHS) 2011/65/CE del Consiglio (dell'8 giugno 2011).

La dichiarazione di conformità è disponibile sul sito [pressalit.com](http://pressalit.com)

---

⑰ Questo prodotto non contiene nessuna delle sostanze pericolose menzionate nella Direttiva (RoHS) 2011/65/CE del Consiglio.

---

⑱ Nome del prodotto (se presente)

---

⑲ Non smaltire come rifiuto urbano indifferenziato. Il prodotto deve essere raccolto separatamente e consegnato al servizio di riciclaggio designato.

---

⑳ Parte applicata di tipo BF: parte del prodotto che, in condizioni normali di utilizzo, entra necessariamente in contatto fisico con il paziente per svolgere la propria funzione. Il prodotto è conforme ai requisiti della norma IEC 60601-1 per la protezione dalle scosse elettriche.

---

㉑ Ciclo di lavoro

---

㉒ Consultare il manuale per informazioni di sicurezza importanti, quali avvertenze e precauzioni.

---

㉓ Consultare il manuale d'uso

---

㉔ Nome e indirizzo del fabbricante

---

㉕ Apparecchio elettrico a doppio isolamento

---

## Risoluzione dei problemi

Sintomo	Causa	Azione
I pulsanti di comando non funzionano.	Guasto nell'alimentazione.	Controllare che tutti i fili e le spine siano intatti e correttamente collegati. Contattare l'assistenza Pressalit o il rivenditore locale.
Il prodotto si solleva e si abbassa in modo irregolare.	I tubi con sezione quadra interni non sono lubrificati correttamente.	Lubrificare i tubi con sezione quadra interni come descritto nella sezione "Manutenzione".
Non è possibile spostare il prodotto lateralmente.	I tubi o i cavi potrebbero essere bloccati.	Rimuovere i coperchi e verificare che non vi siano elementi inceppati.
	Il meccanismo di blocco potrebbe essere bloccato.	Controllare il dispositivo di blocco e il cavo come descritto nella sezione "Manutenzione".
Il dispositivo di sicurezza non funziona.	Interruttori difettosi.	Verificare che uno o più contatti del dispositivo di sicurezza non siano intrecciati e, in tal caso, cercare di districarli. Se non è possibile risolvere il problema, sostituire i contatti. Il dispositivo di sicurezza funziona solo se il prodotto è alimentato. Ricordarsi di resettare il sistema come descritto in "Reset del sollevatore per lavabo".

Se non è possibile risolvere il problema, contattare Pressalit o il proprio rivenditore. Per non invalidare la garanzia non tentare di riparare il prodotto in autonomia.

it

# Compatibilità elettromagnetica

Il dispositivo è adatto per l'uso a casa, nelle strutture di accoglienza, nei centri diurni per persone con disabilità fisiche o mentali e negli ospedali, tranne che in prossimità di apparecchiature chirurgiche HF attive e di locali con schermatura RF in presenza di sistemi medici per la risonanza magnetica ad alta intensità di disturbi elettromagnetici.

Il dispositivo non ha alcuna funzione legata alla sicurezza di base o alle prestazioni essenziali. In caso di prestazioni assenti o inadeguate a causa di disturbi elettromagnetici, la sicurezza dell'utente rimane inalterata.


<b>Cavo</b>	<b>Lunghezza</b>
Cavo di alimentazione	3,2 m
Cavo a spirale per controllo manuale	Circa 5 m esteso



## AVVERTENZA

- L'uso di accessori, trasduttori e cavi diversi da quelli specificati o forniti dal produttore potrebbe causare un aumento delle emissioni elettromagnetiche o una riduzione dell'immunità elettromagnetica di questa apparecchiatura e provocare un funzionamento improprio.
- Le apparecchiature di comunicazione RF portatili (comprese le periferiche come i cavi di antenna e le antenne esterne) devono essere utilizzate a una distanza non inferiore a 30 cm da qualsiasi parte dell'unità, compresi i suoi cavi, per evitare un degrado delle prestazioni dell'unità.
- Il posizionamento di altre apparecchiature accanto o sopra questa apparecchiatura potrebbe causare un funzionamento improprio. Se tale posizionamento è necessario, osservare questa e le altre apparecchiature per verificare che funzionino normalmente.

## Immunità elettromagnetica

<b>Scariche elettrostatiche</b>	
	Il prodotto non deve essere interessato da scariche elettriche tra una persona e il prodotto tali da avviare azioni o rendere i componenti difettosi.
<b>Standard della prova</b>	<b>Livello di prova dell'immunità</b>
EN 61000-4-2	+/- 8 kV a contatto +/- 2, 4, 8, 15 kV in aria

<b>Campo elettromagnetico RF irradiato</b>	
	Il prodotto non deve essere interessato da segnali RF irradiati, ad esempio da un telefono cellulare o da una radio, che potrebbero causare l'azionamento del prodotto stesso o rendere i componenti difettosi.
<b>Standard della prova</b>	<b>Livello di prova dell'immunità</b>
EN 61000-4-3	15 V/m, da 80 MHz a 1000 MHz 15 V/m, da 1,01 GHz a 6 GHz 80% AM 1 kHz

**Immunità ai campi di prossimità provenienti da apparecchiature di comunicazione RF wireless**



Il prodotto non deve essere interessato da segnali RF irradiati, ad esempio da un telefono cellulare o da una radio, che potrebbero causare l'azionamento del prodotto stesso o rendere i componenti difettosi.

**Standard della prova**

**Livello di prova dell'immunità**

EN 61000-4-3\*

385 MHz, 27 V/m, 18 Hz PM (onda quadra con 50% ciclo di lavoro)  
450 MHz, 28 V/m, FM +/- 5 kHz di deviazione, 1 kHz sinusoidale  
710 MHz, 9 V/m, 217 Hz PM (onda quadra con 50% ciclo di lavoro)  
745 MHz, 9 V/m, 217 Hz PM (onda quadra con 50% ciclo di lavoro)  
780 MHz, 9 V/m, 217 Hz PM (onda quadra con 50% ciclo di lavoro)  
810 MHz, 28 V/m, 18 Hz PM (onda quadra con 50% ciclo di lavoro)  
870 MHz, 28 V/m, 18 Hz PM (onda quadra con 50% ciclo di lavoro)  
930 MHz, 28 V/m, 18 Hz PM (onda quadra con 50% ciclo di lavoro)  
1720 MHz, 28 V/m, 217 Hz PM (onda quadra con 50% ciclo di lavoro)  
1845 MHz, 28 V/m, 217 Hz PM (onda quadra con 50% ciclo di lavoro)  
1970 MHz, 28 V/m, 217 Hz PM (onda quadra con 50% ciclo di lavoro)  
2450 MHz, 28 V/m, 217 Hz PM (onda quadra con 50% ciclo di lavoro)  
5240 MHz, 9 V/m, 217 Hz PM (onda quadra con 50% ciclo di lavoro)  
5500 MHz, 9 V/m, 217 Hz PM (onda quadra con 50% ciclo di lavoro)  
5785 MHz, 9 V/m, 217 Hz PM (onda quadra con 50% ciclo di lavoro)



**Transitori elettrici veloci/burst**

Il prodotto non deve essere interessato da segnali di impulsi rapidi attraverso il cavo. Questo potrebbe causare il malfunzionamento dei componenti o l'avvio di azioni da parte del prodotto.

**Standard della prova****Livello di prova dell'immunità**

EN 61000-4-4

+/- 1 kV, +/- 2 kV  
Frequenza di ripetizione 100 kHz

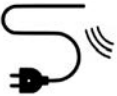
**Immunità agli impulsi**

Il prodotto non deve essere interessato in modi tali da avviare azioni o rendere difettosi i componenti a causa di un fulmine.

**Standard della prova****Livello di prova dell'immunità**

EN 61000-4-5

Da linea a linea: +/- 0,5 kV, +/- 1 kV  
Da linea a terra: +/- 0,5 kV, +/- 1 kV, +/- 2 kV (N/A)

**Immunità ai disturbi condotti indotti dai campi RF**

I cavi non devono essere interessati da altri campi RF in modi tali da avviare azioni o rendere difettosi i componenti.

**Standard della prova****Livello di prova dell'immunità**

EN 61000-4-6

3 V (6 V nelle bande ISM e nelle bande radioamatoriali)  
Da 0,15 a 80 MHz, 80% AM a 1 kHz

### Immunità ai campi magnetici in frequenza di potenza

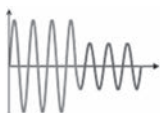


Il prodotto non deve essere interessato in modi tali da avviare azioni o rendere difettosi i componenti a causa di campi magnetici.

#### Standard della prova

EN 61000-4-8 30 A/m, 60 Hz

### Calo di tensione



Il prodotto non deve avviare o limitare azioni a seguito di un calo di tensione.

#### Standard della prova

#### Livello di prova dell'immunità

EN 61000-4-11 0%  $U_T$ ; 0,5 cicli a  $0^\circ$ ,  $45^\circ$ ,  $90^\circ$ ,  $135^\circ$ ,  $180^\circ$ ,  $225^\circ$ ,  $270^\circ$  e  $315^\circ$   
0%  $U_T$ ; 1 ciclo a  $0^\circ$   
70%  $U_T$ ; 25 cicli a  $0^\circ$   
Monofase a  $0^\circ$

### Interruzioni di tensione




Il prodotto non deve avviare o limitare azioni a seguito di un'interruzione dell'alimentazione di breve durata.


#### Standard della prova


#### Livello di prova dell'immunità


EN 61000-4-11 0%  $U_T$ ; 300 cicli

## Emissioni elettromagnetiche

<b>Emissione RF condotta</b>	
	Il prodotto non deve inviare troppo rumore nella rete. Ciò potrebbe causare l'interruzione di altri prodotti.
<b>Standard della prova</b>	<b>Classe e gruppo di prova delle emissioni</b>
EN 55011	Classe B, gruppo 1

<b>Emissione RF irradiata</b>	
	Il prodotto non deve emettere segnali RF nell'ambiente. Ciò potrebbe causare l'interruzione di altri prodotti.
<b>Standard della prova</b>	<b>Classe e gruppo di prova delle emissioni</b>
EN 55011	Classe B, gruppo 1

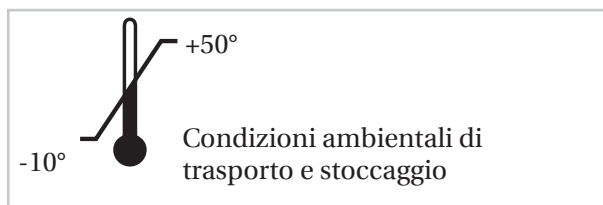
<b>Emissioni di correnti armoniche</b>	
	Il prodotto non deve prelevare involontariamente energia dalla rete.
<b>Standard della prova</b>	<b>Classe e gruppo di prova delle emissioni</b>
IEC 61000-3-2	Classe A

<b>Variazioni di tensione, fluttuazioni di tensione e sfarfallio</b>	
	Il prodotto non deve influenzare altri prodotti quando è collegato alla rete. Ad esempio, le luci non devono iniziare a lampeggiare e quindi disturbare le persone presenti nella stanza.
<b>Standard della prova</b>	<b>Classe e gruppo di prova delle emissioni</b>
EN 61000-3-3	Testato secondo lo standard.

## Dati tecnici

Materiali	Acciaio inossidabile verniciato a polvere. Plastica (PVC, polistirene, ABS).
Classe IP	Le parti elettriche hanno un grado di protezione IPX6. Il prodotto non può essere immerso in acqua, ma è progettato per resistere a potenti getti d'acqua (ugello da 12,5 mm) provenienti da qualsiasi direzione.
Livello di pressione sonora misurato	48 dB

## Stoccaggio e trasporto



- La temperatura di trasporto e stoccaggio dell'unità deve essere compresa tra -10 °C e 50 °C.
- L'unità deve essere sempre trasportata utilizzando l'imballaggio originale.
- Evitare di sottoporre l'imballaggio a urti e colpi.
- Non utilizzare il prodotto se l'imballaggio è rotto o danneggiato.

## Smaltimento e riciclaggio

L'unità contiene materiali riutilizzabili. Non sono noti pericoli o rischi associati allo smaltimento del prodotto. Tutti i componenti possono essere smaltiti dopo essere stati puliti e disinfettati.

Quando si smaltisce il prodotto, si consiglia di smontarlo e di suddividerlo a seconda della tipologia di rifiuto da destinare al riciclaggio o alla combustione.

La seguente tabella fornisce informazioni sul riciclaggio e la gestione del prodotto.

<b>Componenti riciclabili</b>	<b>Materiale</b>
Acciaio	L'acciaio può essere riciclato mediante fusione e incluso come materiale secondario nella produzione di nuovo acciaio.
Plastica	Se disponibili a livello locale, utilizzare sistemi di selezione e riciclaggio della plastica; in caso contrario l'incenerimento della plastica ha l'ulteriore vantaggio di generare energia da utilizzare, ad esempio, per la produzione combinata di calore ed energia.
Elettronica	I componenti elettronici devono essere raccolti separatamente e consegnati al servizio di riciclaggio designato.

# Spis treści

Instrukcja montażu .....	247
Symbole używane w niniejszej instrukcji .....	248
Ogólne wskazówki bezpieczeństwa .....	249
Bezpieczne odległości .....	250
Użytkowanie zgodne z przeznaczeniem .....	252
Profil zamierzonego operatora .....	252
Profil zamierzonego użytkownika .....	252
Środowisko użytkowania .....	252
Przeciwwskazania do stosowania .....	252
Instrukcja obsługi .....	253
Regulacja boczna .....	254
Barierka bezpieczeństwa .....	255
Resetowanie podnośnika umywalki .....	255
Czyszczenie .....	256
Konserwacja .....	257
Przegląd konserwacyjny .....	257
Etykieta wyrobu .....	262
Rozwiązywanie problemów .....	264
Kompatybilność elektromagnetyczna .....	265
Odporność elektromagnetyczna .....	266
Emisja elektromagnetyczna .....	270
Dane techniczne .....	271
Przechowywanie i transport .....	271
Utylizacja i recykling .....	272

## Instrukcja montażu



Instrukcję montażu dołączono do wyrobu. Można ją również pobrać ze strony [pressalitcare.com](http://pressalitcare.com).

# Symbole używane w niniejszej instrukcji

W niniejszej instrukcji oraz w dokumentacji dostarczonej z wyrobem użyto następujących symboli.

 <b>OSTRZEŻE- NIE</b>	<p><b>OSTRZEŻENIE</b> wskazuje na sytuację potencjalnie niebezpieczną, dopuszczenie do której może skutkować śmiercią lub poważnymi obrażeniami.</p>		
 <b>UWAGA</b>	<p><b>UWAGA</b> wskazuje na sytuację potencjalnie niebezpieczną, dopuszczenie do której może skutkować niewielkimi lub umiarkowanymi obrażeniami. Powyższe może również służyć jako ostrzeżenie przed niebezpiecznymi praktykami.</p>		
<b>WAŻNE</b>	<p><b>WAŻNE</b> wskazuje na istotną informację dotyczącą postępowania z wyrobem lub jego użytkowania.</p>		
<b>INFORMACJA</b>	<p><b>INFORMACJA</b> dotyczy praktyk niezwiązanych z bezpieczeństwem ludzi.</p>		
			
<p>Ostrzeżenie przed obrażeniami głowy</p>	<p>Ostrzeżenie przed obrażeniami dłoni</p>	<p>Ostrzeżenie przed obrażeniami genitaliów</p>	<p>Ostrzeżenie przed obrażeniami stóp</p>
			
<p>Ostrzeżenie przed elektrycznością/napięciem</p>	<p>Kompatybilne produkty</p>	<p>Nr artykułu / wersja</p>	<p>Parametry zasilania</p>
			
<p>Waga wyrobu</p>	<p>Maks. masa użytkownika</p>		

# Ogólne wskazówki bezpieczeństwa



## OSTRZEŻENIE

- Przed użyciem wyrobu przeczytaj i zapoznaj się z instrukcją. Instrukcję przechowuj w pobliżu wyrobu.
- Przestrzegaj niniejszej instrukcji, aby uniknąć wypadków prowadzących do poważnych obrażeń.
- Nigdy nie używaj wyrobu do celów lub w sposób niezgodny z niniejszą instrukcją, ponieważ zagraża to Twojemu bezpieczeństwu i grozi uszkodzeniem wyrobu.
- Upewnij się, że wszystkie osoby montujące lub używające tego wyrobu i jego systemów posiadają niezbędne informacje oraz dostęp do niniejszej instrukcji.



## UWAGA

- Przestrzegaj niniejszej instrukcji, aby uniknąć uszkodzenia lub zniszczenia wyrobu.
- Nie dokonuj samodzielnych napraw, demontażu lub montażu, rozbudowy, regulacji lub modyfikacji wyrobu. Czynności takie mogą być przeprowadzane wyłącznie przez firmę Pressalit lub upoważniony przez nią personel.
- Nigdy nie pozwalaj dzieciom obsługiwać tego wyrobu bez nadzoru. Ten wyrób nie jest zabawką.
- Nigdy nie używaj wadliwego lub uszkodzonego wyrobu. Nie używaj uszkodzonego wyrobu przed jego naprawą.

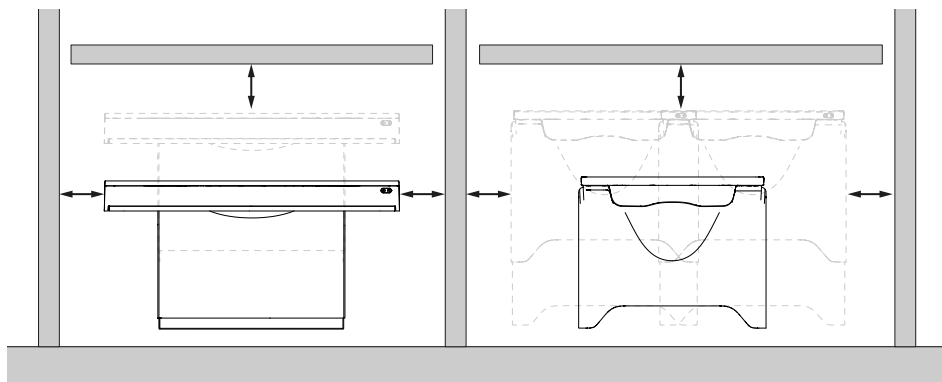
## INFORMACJA







- Informacje zawarte w niniejszej instrukcji zakładają właściwe mocowanie wyrobu zgodnie z instrukcją montażu.
- Pressalit nie ponosi odpowiedzialności w sytuacji, gdy wyrób jest użytkowany w jakikolwiek sposób odbiegający od przedstawionego w niniejszej instrukcji.
- Zastrzegamy sobie prawo do zmian niniejszej instrukcji bez wcześniejszego powiadomienia.

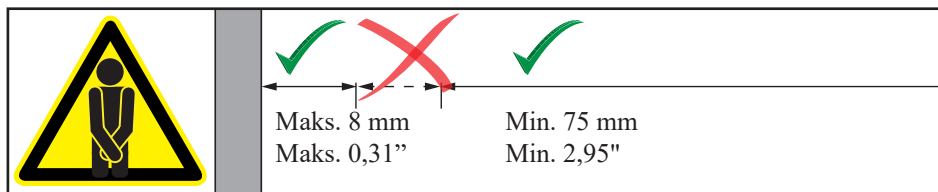
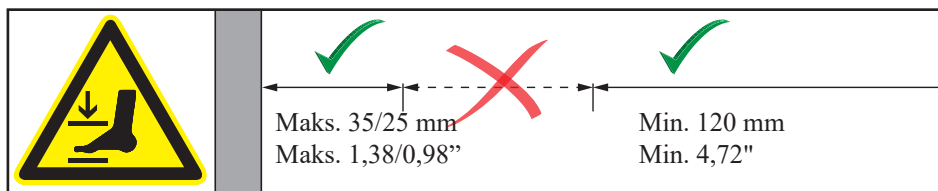
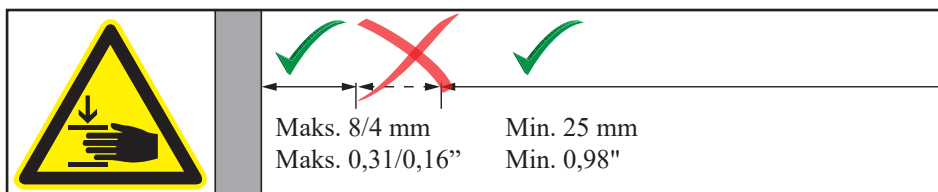
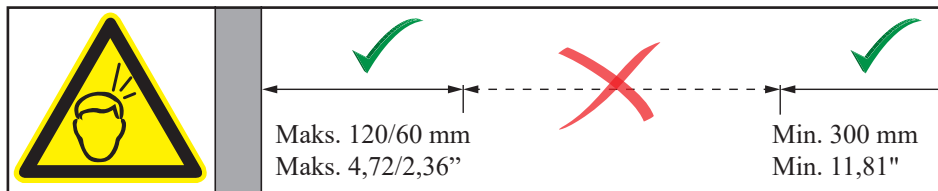


## Bezpieczne odległości

Upewnij się, że podnośnik umywalki znajduje się w bezpiecznej odległości od otaczających go przedmiotów. Sprawdź te odległości przed każdym użyciem.



ISO 17966:2016		
	Maks. 120 mm (4,72") Min. 300 mm (11,81")	Maks. 60 mm (2,36") Min. 300 mm (11,81")
	Maks. 8 mm (0,31") Min. 25 mm (0,98")	Maks. 4 mm (0,16") Min. 25 mm (0,98")
	Maks. 35 mm (1,38") Min. 120 mm (4,72")	Maks. 25 mm (0,98") Min. 120 mm (4,72")
	Maks. 8 mm (0,31") Min. 75 mm (2,95")	Maks. 8 mm (0,31") Min. 75 mm (2,95")



## OSTRZEŻENIE

Podczas ruchu urządzenia w zakresie bezpiecznych odległości obserwuj uważnie osoby i przedmioty znajdujące się wokół niego, aby uniknąć ryzyka zmiążdżenia.

# Użytkowanie zgodne z przeznaczeniem

Ten produkt ma na celu zoptymalizowanie ergonomii użytkownika umywalki przez użytkowników z niepełnosprawnościami zarówno w pozycji siedzącej, jak i stojącej.

## Profil zamierzonego operatora

Produkt może być używany przez wszystkich – dorosłych, dzieci, młodzież i osoby starsze.

## Profil zamierzonego użytkownika

Produkt może być używany przez wszystkich – dorosłych, dzieci, młodzież i osoby starsze.

## Środowisko użytkowania

Wyrób jest przeznaczony do użytkowania w wilgotnym otoczeniu, takim jak łazienka lub umywalnia. Wyrób jest przeznaczony do eksploatacji w temperaturze pokojowej w gospodarstwach domowych, domach opieki i szpitalach, w normalnych warunkach pracy.

## Przeciwwskazania do stosowania

Nie zaleca się użytkownika podnośnika umywalki przez osoby, które nie są w stanie utrzymać równowagi w pozycji stojącej.



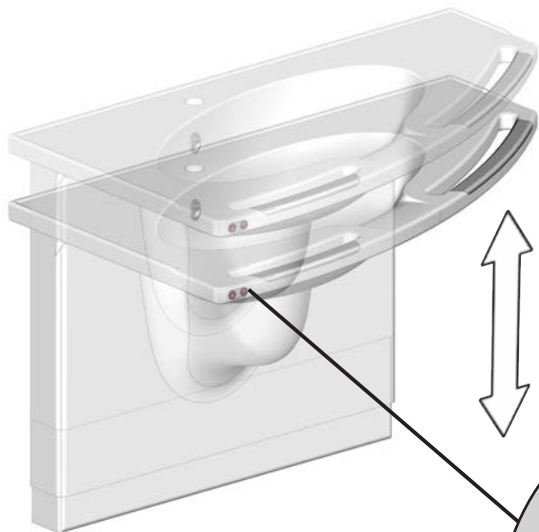
Powierzchnia produktu może się nagrzewać lub schładzać w przypadku wystawienia na działanie zewnętrznych źródeł ciepła lub zimna (np. światła słonecznego lub mrozu).

## INFORMACJA

Każde poważne zdarzenie, które nastąpiło w związku z wyrobem, należy zgłosić producentowi i organom służby zdrowia.

## Instrukcja obsługi

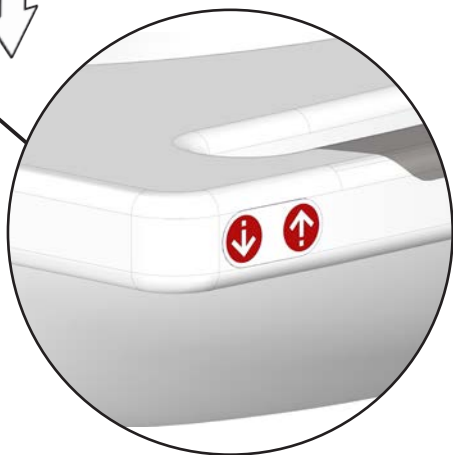
Modele podnośników umywalk R4822, R4827, R4828, R4850, R4855, R4852, R4857, R4870 i R4875 mogą być regulowane w górę i w dół w zakresie 200 mm (7,87”).



**Maksymalne obciążenie wynosi 150 kg.**

Regulacją wysokości steruje się za pomocą przycisków na przedniej krawędzi umywalki

Naciśnij i przytrzymaj przycisk podnoszenia, aby podnieść umywalkę oraz przycisk opuszczania, aby ją opuścić. Po zwolnieniu przycisku ruch zostanie zatrzymany.



**Aby uniknąć obrażeń rąk, zachowaj ostrożność w pobliżu ruchomych części.**

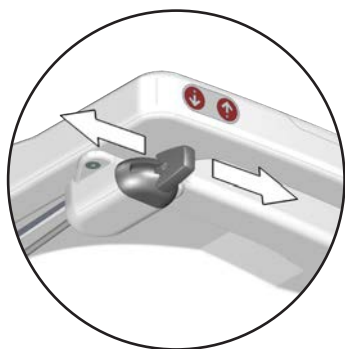
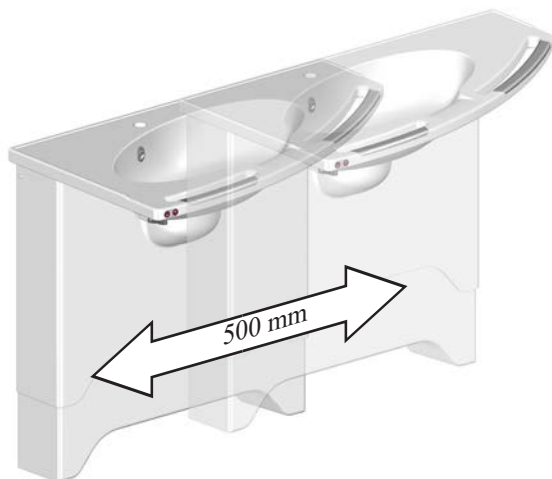
**! UWAGA**

Nigdy nie umieszczaj przedmiotów pod umywalką.

## Regulacja boczna

Modele podnośników umywalek R482219, R482719, R485019, R485519, R485219 i R485719 mogą być regulowane w górę i w dół w zakresie 300 mm (11,81“) oraz w lewo i w prawo w łącznym zakresie 500 mm (19,69“).

**Maksymalne obciążenie wynosi**



**150 kg.**

Odblokuj mechanizm przesuwny, przesuwając i przytrzymując dźwignię regulacji bocznej w lewo lub w prawo.

Trzymając uchwyty umywalki, przesun podnośnik umywalki w lewo lub w prawo. Przesuwanie podnośnika jest łatwe i nie wymaga użycia znacznej siły.

Po ustawieniu podnośnika umywalki w wybranej pozycji zwolnij dźwignię regulacji bocznej – podnośnik zablokuje się, czemu będzie towarzyszył dźwięk kliknięcia.



**UWAGA**

Przed przystąpieniem do użytkowania lub regulacji wysokości upewnij się, że mechanizm blokujący zadziałał prawidłowo. Można to sprawdzić, przesuwając podnośnik umywalki lekko w prawo lub w lewo do usłyszenia kliknięcia.



**Uważaj, aby nie zranić stóp podczas przesuwania podnośnika umywalki na boki.**

pl

## Barierka bezpieczeństwa

Podnośniki umywalki R4870 i R4875 są wyposażone w barierkę bezpieczeństwa.



Jeśli barierka zetknie się z jakimś obiektem podczas opuszczania umywalki, ruch zostanie natychmiast zatrzymany.

Jeśli jakiś obiekt dotknie od spodu nieruchomej umywalki, zareaguje funkcja bezpieczeństwa i umywalka zostanie uniesiona.

Podnośnika umywalki można użyć ponownie po usunięciu przeszkody.

## Resetowanie podnośnika umywalki

Jeśli podnośnik umywalki się zablokuje, spróbuj go zresetować.

- ① Upewnij się, że funkcja barierki bezpieczeństwa nie jest aktywowana. Opuść podnośnik umywalki do pozycji początkowej.
- ② Zwolnij przycisk opuszczania. Po ok. 3-4 s wciśnij go ponownie i przytrzymaj przez ok. 10 s, aż usłyszysz kliknięcie.
- ③ Zwolnij przycisk opuszczania, a następnie podnieś umywalkę maksymalnie do góry. Usłyszysz kolejne kliknięcie.
- ④ Opuść umywalkę kilka centymetrów.
- ⑤ Unieś ją ponownie na maksymalną wysokość. Usłyszysz kolejne kliknięcie. Podnośnik umywalki został zresetowany. Podnośnik umywalki należy również zresetować w przypadku przerwy w zasilaniu.

# Czyszczenie

Wyrób należy czyścić gorącą wodą lub łagodnym środkiem czyszczącym na bazie mydła.

Aby sprawdzić, które środki czyszczące zostały przetestowane i zatwierdzone przez firmę Pressalit dla tego konkretnego wyrobu, należy odwiedzić stronę internetową [Pressalit.com](http://Pressalit.com) i odwołać się do numeru katalogowego wyrobu.

Firma Pressalit zaleca wyczyszczenie produktu po zamontowaniu.



**UWAGA**

Zawsze należy najpierw zapoznać się z kartą charakterystyki materiału oraz instrukcjami dołączonymi do środka czyszczącego, dezynfekującego lub odkamieniającego oraz postępować zgodnie z instrukcjami bezpiecznego stosowania, rozcieńczania, spłukiwania, suszenia, obchodzenia się ze środkiem i jego przechowywania.

**WAŻNE**

- Nie wolno używać autoklawów lub innych rodzajów czyszczenia parowego.
- Należy unikać stosowania zbyt silnych środków czyszczących zawierających kwasy.
- Nie wolno bezpośrednio spryskiwać wyrobu środkiem czyszczącym pod ciśnieniem.
- Do dezynfekcji powierzchni można używać środków na bazie chloru, zgodnie ze specyfikacją i zaleceniami dotyczącymi bezpieczeństwa stosowania tych środków.

## Konserwacja

Przewidywany okres eksploatacji podnośnika umywalki wynosi 10 lat pod warunkiem przeprowadzania konserwacji w opisany poniżej sposób.

Zaleca się, aby co tydzień przesuwac produkt w maksymalne położenia, podnosząc go na pełną wysokość, a następnie opuszczając do najniższego położenia, aby nasmarować części wewnętrzne.

Zaleca się przeprowadzanie przeglądu konserwacyjnego raz w roku.

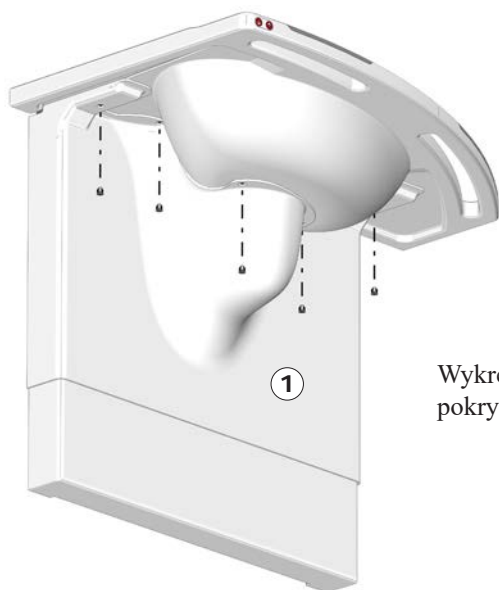
### Przegląd konserwacyjny

Ustaw umywalkę w najwyższym położeniu.



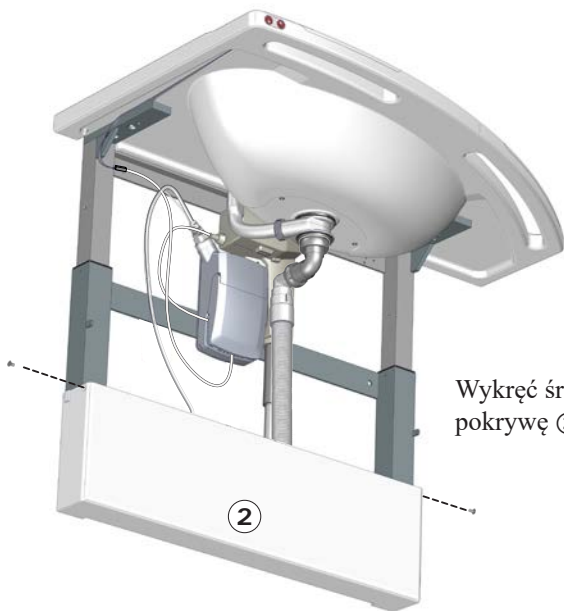
**Przed zdjęciem pokryw należy odłączyć zasilanie sieciowe.**

W przypadku R4822, R4827, R4828, R4850, R4855, R4852 i R4857

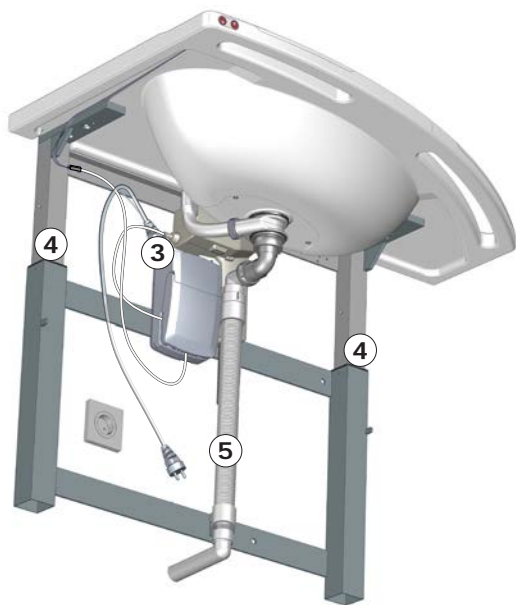


Wykręć śruby i zdejmij górną przednią pokrywę ①.





Wykręć śruby i zdejmij dolną przednią pokrywę ②.



Sprawdź wszystkie połączenia elektryczne ③.

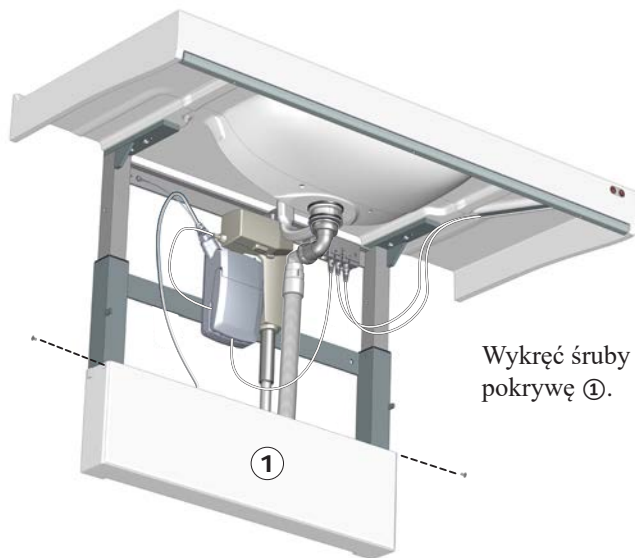
Nasmaruj wewnętrzne rury czworokątne ④ i pręt podnośnika ⑤.

Założ z powrotem przednią i górną pokrywę.

Podłącz zasilanie.

Opuść umywalkę do samego dołu, a następnie podnieś ją do samej góry, żeby rozprowadzić środek smary.

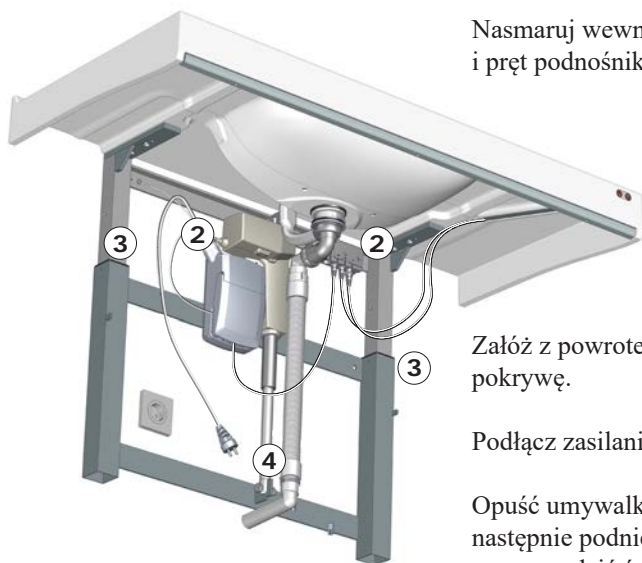
## W przypadku R4870 i 4875



Wykręć śruby i zdejmij dolną przednią pokrywę ①.

Sprawdź wszystkie połączenia elektryczne ②.

Nasmaruj wewnętrzne rury czworokątne ③ i pręt podnośnika ④.



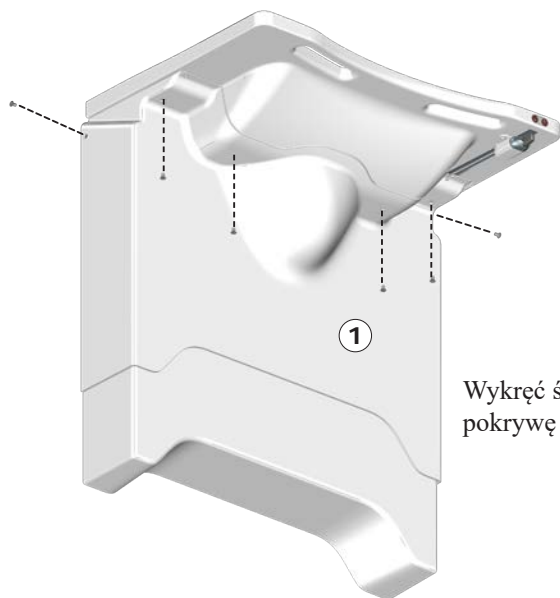
Założ z powrotem przednią i górną pokrywę.

Podłącz zasilanie.

Opuść umywalkę do samego dołu, a następnie podnieś ją do samej góry, żeby rozprowadzić środek smary.

**W przypadku R482219, R482719, R485019, R485219, R485519,  
R485719**

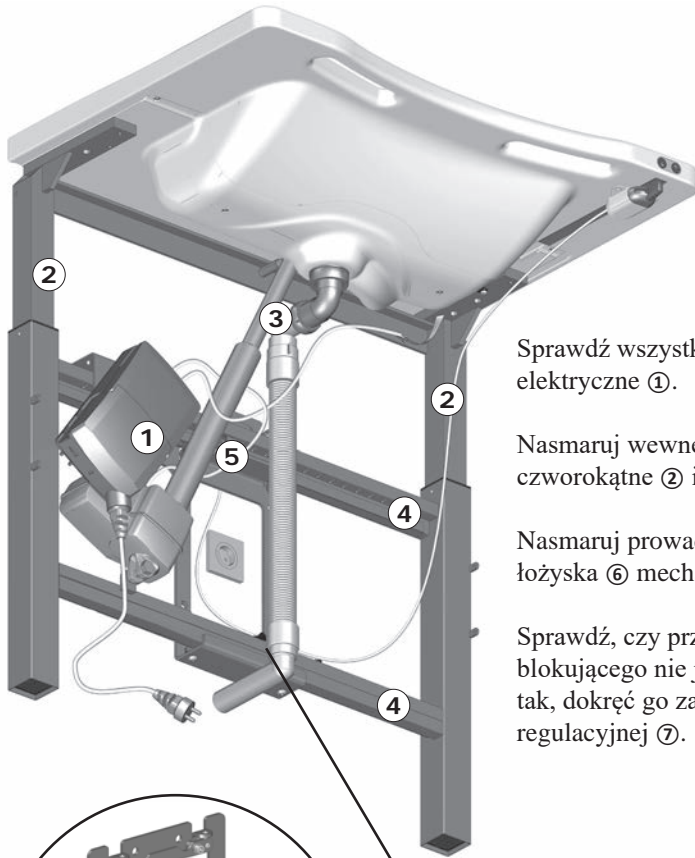
Ustaw umywalkę w  
najwyższym położeniu.



Wykręć śruby i zdejmij górną przednią  
pokrywę ①.



Wykręć śruby i zdejmij dolną przednią  
pokrywę ②.

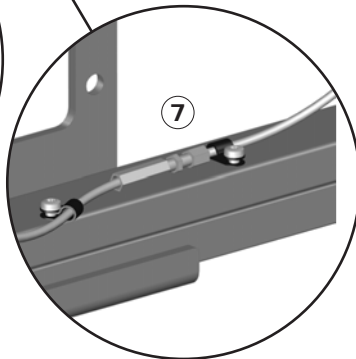
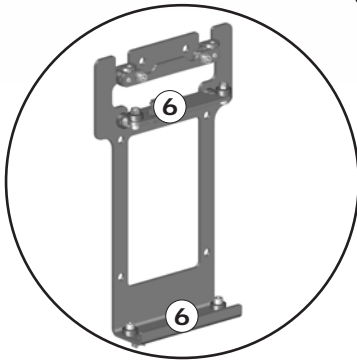


Sprawdź wszystkie połączenia elektryczne ①.

Nasmaruj wewnętrzne rury czworokątne ② i pręt podnośnika ③.

Nasmaruj prowadnice ④, blokadę ⑤ i łożyska ⑥ mechanizmu przesuwne.

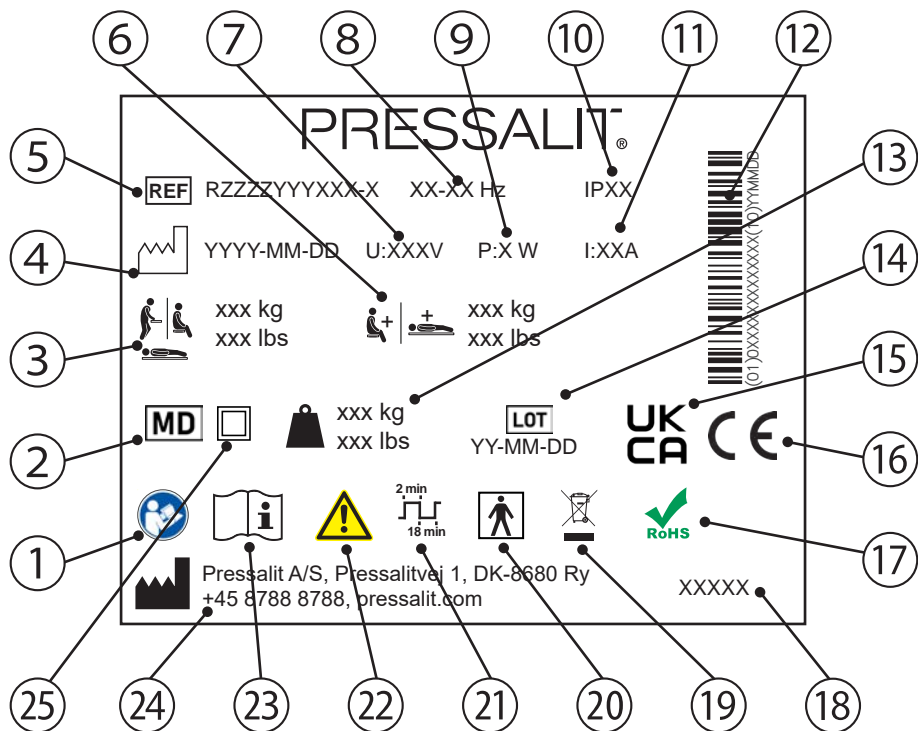
Sprawdź, czy przewód mechanizmu blokującego nie jest zbyt luźny. Jeśli tak, dokręć go za pomocą śruby regulacyjnej ⑦.



pl

Założ z powrotem przednią i górną pokrywę oraz podłącz zasilanie.  
Opuść umywalkę do samego dołu, a następnie podnieś ją do samej góry, żeby rozprowadzić środek smary.  
Przesuń również podnośnik umywalki w skrajne lewe i prawe położenie.

# Etykieta wyrobu



1 Zapoznaj się z instrukcją obsługi

2 Urządzenie medyczne

3 Maksymalna masa użytkownika

4 Data produkcji

5 Numer artykułu

6 Maksymalne obciążenie

7 Napięcie sieciowe

8 Częstotliwość

9 Maksymalny pobór mocy

10 Klasa IP

---

11 Prąd elektryczny

---

12 Kod kreskowy GS1-128

---

13 Waga wyrobu

---

14 Kod partii

---

15 Zgodność z przepisami obowiązującymi w Wielkiej Brytanii

---

Te produkty są opatrzone znakiem CE zgodnie z odnośnymi wymaganiami w następujących dokumentach:

- Rozporządzenie (UE) 2017/745 (5 kwietnia 2017) o wyrobach medycznych.

16

- Dyrektywa maszynowa 2006/42/WE (17 maja 2006).

- Dyrektywa maszynowa RoHS 2011/65/WE (8 czerwca 2011).

Deklarację zgodności można znaleźć na stronie [pressalit.com](http://pressalit.com).

---

17

Ten produkt nie zawiera żadnych substancji niebezpiecznych wymienionych w dyrektywie Rady 2011/65/WE w sprawie ograniczenia stosowania niektórych niebezpiecznych substancji w sprzęcie elektrycznym i elektronicznym.

---

18

Nazwa produktu (jeśli ją posiada)

---

19

Nie wyrzucać do zmieszanych odpadów komunalnych. Produkt należy zebrać osobno i oddać do odpowiedniego punktu recyklingu.

---

20

Część typu BF. Podczas normalnego użytkowania część produktu musi mieć fizyczny kontakt z pacjentem, aby spełnić swoją funkcję. Produkt spełnia wymagania normy IEC 60601-1 w zakresie ochrony przed porażeniem prądem elektrycznym.

---

21

Cykl pracy

---

22

Zapoznaj się z instrukcją obsługi, aby zapamiętać ważne informacje dotyczące bezpieczeństwa i środków ostrożności.

---

23

Zapoznaj się z instrukcją obsługi

---

24

Nazwa i adres producenta

---

25

Urządzenie elektryczne z podwójną izolacją

---

## Rozwiązywanie problemów

Objaw	Przyczyna	Działanie
Przycisk sterujący nie działa.	Wina zasilania.	Sprawdź, czy wszystkie przewody i wtyczki są nieuszkodzone i prawidłowo podłączone. Skontaktuj się z Pressalit A/S lub lokalnym dystrybutorem.
Urządzenie nierównomiernie przesuwają się w górę i w dół.	Wewnętrzne rury czworokątne nie są odpowiednio nasmarowane.	Nasmaruj wewnętrzne rury czworokątne zgodnie z opisem z sekcji „Konserwacja”.
Produktu nie można przesunąć w bok.	Przewody giętkie lub kable mogą być zakleszczone.	Zdejmij pokrywę (pokrywy) i sprawdź, czy żadne elementy nie uległy zablokowaniu.
	Mechanizm blokujący może być zakleszczony.	Sprawdź blokadę i przewód zgodnie z opisem znajdującym się w części „Konserwacja”.
System bezpieczeństwa nie działa.	Uszkodzone przełączniki.	Sprawdź, czy jakiś styk systemu bezpieczeństwa nie jest zakleszczony, a jeśli tak, spróbuj to naprawić. Jeśli problemu nie można rozwiązać, wymień styk(i). System bezpieczeństwa działa tylko wtedy, gdy można wykryć przepływ prądu. Pamiętaj o zresetowaniu urządzenia zgodnie z opisem znajdującym się w części „Resetowanie podnośnika umywalki”.

Jeśli problemu nie można rozwiązać, należy skontaktować się z firmą Pressalit lub swoim sprzedawcą. Nie próbuj naprawiać urządzenia samodzielnie, ponieważ spowoduje to unieważnienie gwarancji.

# Kompatybilność elektromagnetyczna

To urządzenie jest odpowiednie do użytku w domach, ośrodkach opieki dziennej, ośrodkach dziennego pobytu dla osób z niepełnosprawnością fizyczną bądź intelektualną oraz szpitalach. Urządzenia nie należy używać w pobliżu czynnych urządzeń elektrochirurgicznych wysokiej częstotliwości (HF) ani pomieszczeń wyposażonych w ekranowanie promieniowania o częstotliwości radiowej (RF), w których znajdują się medyczne systemy rezonansu magnetycznego o wysokim natężeniu zaburzeń elektromagnetycznych.

Urządzenie nie posiada funkcji powiązanej z bezpieczeństwem podstawowym ani funkcjonowaniem zasadniczym. W razie braku lub pogorszenia działania z powodu zaburzeń elektromagnetycznych, bezpieczeństwo użytkownika pozostaje nienaruszone.

Kabel	Długość
Przewód zasilania	3,2 m (126")
Kabel skręcany pilota	Okolo 5 m (197") po rozciągnięciu





## OSTRZEŻENIE

- Stosowanie akcesoriów, przetworników oraz kabli innych niż określone lub dostarczone przez producenta może prowadzić do zwiększenia emisji elektromagnetycznych lub zmniejszenia odporności elektromagnetycznej sprzętu i spowodować nieprawidłowe działanie.
- Przenośny sprzęt do komunikacji radiowej (w tym urządzenia peryferyjne takie jak kable antenowe i anteny zewnętrzne) powinien być używany w odległości co najmniej 30 cm od dowolnej części urządzenia, w tym jego kabli, aby zapobiec pogorszeniu jego działania.
- Należy unikać używania tego urządzenia w pobliżu innego sprzętu bądź ustawionego na innym sprzęcie, gdyż może to spowodować nieprawidłowe działanie. Jeśli jednak konieczne jest używanie urządzenia w takiej konfiguracji, należy obserwować urządzenie i pozostały sprzęt, aby upewnić się, że działają prawidłowo.



## Odporność elektromagnetyczna

Wyladowania elektrostatyczne	
	Wyladowania elektryczne między ciałem człowieka a tym wyrobem nie mogą wpływać na wyrób poprzez inicjowanie jego działania ani powodowanie uszkodzeń jego komponentów.
<b>Norma testowa</b>	<b>Poziom testowy odporności</b>
EN 61000-4-2	+/- 8 kV kontakt +/- 2, 4, 8, 15 kV powietrze

Wypromieniowane pole elektromagnetyczne o częstotliwości radiowej	
	Wypromieniowane sygnały o częstotliwości radiowej, generowane np. przez telefony komórkowe czy urządzenia radiowe, nie mogą wpływać na wyrób poprzez inicjowanie jego działania ani powodowanie uszkodzeń jego komponentów.
<b>Norma testowa</b>	<b>Poziom testowy odporności</b>
EN 61000-4-3	15 V/m 80 MHz do 1000 MHz 15 V/m 1,01 GHz do 6 GHz 80% AM 1 kHz

## Odporność na pobliskie pola emitowane przez bezprzewodowy sprzęt do komunikacji radiowej




Wypromieniowane sygnały o częstotliwości radiowej, generowane np. przez telefony komórkowe czy urządzenia radiowe, nie mogą wpływać na wyrób poprzez inicjowanie jego działania ani powodowanie uszkodzeń jego komponentów.


**Norma testowa**


**Poziom testowy odporności**


EN 61000-4-3\*

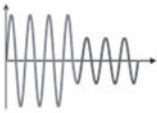
385 MHz, 27 V/m, PM 18 Hz (cykl pracy 50%, fala prostokątna)  
450 MHz, 28 V/m, odchylenie FM +/- 5 kHz, sinus 1 kHz  
710 MHz, 9 V/m, PM 217 Hz (cykl pracy 50%, fala prostokątna)  
745 MHz, 9 V/m, PM 217 Hz (cykl pracy 50%, fala prostokątna)  
780 MHz, 9 V/m, PM 217 Hz (cykl pracy 50%, fala prostokątna)  
810 MHz, 28 V/m, PM 18 Hz (cykl pracy 50%, fala prostokątna)  
870 MHz, 28 V/m, PM 18 Hz (cykl pracy 50%, fala prostokątna)  
930 MHz, 28 V/m, PM 18 Hz (cykl pracy 50%, fala prostokątna)  
1720 MHz, 28 V/m, PM 217 Hz (cykl pracy 50%, fala prostokątna)  
1845 MHz, 28 V/m, 217 Hz PM (cykl pracy 50%, fala prostokątna)  
1970 MHz, 28 V/m, 217 Hz PM (cykl pracy 50%, fala prostokątna)  
2450 MHz, 28 V/m, 217 Hz PM (cykl pracy 50%, fala prostokątna)  
5240 MHz, 9 V/m, 217 Hz PM (cykl pracy 50%, fala prostokątna)  
5500 MHz, 9 V/m, 217 Hz PM (cykl pracy 50%, fala prostokątna)  
5785 MHz, 9 V/m, 217 Hz PM (cykl pracy 50%, fala prostokątna)


<b>Szybkozmiennne elektryczne zakłócenia przejściowe</b>	
	Szybkie sygnały impulsowe wprowadzane do przewodu zasilającego nie mogą wpływać na wyrób. Mogłoby to powodować uszkodzenia komponentów lub inicjować działanie wyrobu.
<b>Norma testowa</b>	<b>Poziom testowy odporności</b>
EN 61000-4-4	+/- 1 kV, +/- 2 kV Częstotliwość powtarzania 100 kHz

<b>Odporność na udary (surge)</b>	
	Wyładowania atmosferyczne nie mogą wpływać na wyrób poprzez inicjowanie jego działania ani powodowanie uszkodzeń jego komponentów.
<b>Norma testowa</b>	<b>Poziom testowy odporności</b>
EN 61000-4-5	Międzyfazowy: +/- 0,5 kV, +/- 1 kV Doziemny: +/- 0,5 kV, +/- 1 kV, +/- 2 kV


<b>Odporność na zaburzenia przewodzone indukowane przez pola o częstotliwości radiowej</b>	
	Inne pola o częstotliwości radiowej nie mogą wpływać na przewody poprzez inicjowanie działania ani powodowanie uszkodzeń komponentów.
<b>Norma testowa</b>	<b>Poziom testowy odporności</b>
EN 61000-4-6	3 V (6 V w pasmach ISM i amatorskich pasmach radiowych) 0,15 do 80 MHz, 80% AM przy 1 kHz


<b>Odporność na pole magnetyczne częstotliwości sieciowej</b>	
	Pola magnetyczne nie mogą wpływać na wyrób poprzez inicjowanie jego działania ani powodowanie uszkodzeń jego komponentów.
<b>Norma testowa</b>	
EN 61000-4-8	30 A/m, 60 Hz


<b>Zapad napięcia</b>	
	Zapad napięcia zasilającego nie może inicjować ani ograniczać działania wyrobu.
<b>Norma testowa</b>	<b>Poziom testowy odporności</b>
EN 61000-4-11	0% $U_T$ ; 0,5 cyklu przy 0°, 45°, 90°, 135°, 180°, 225°, 270° i 315° 0% $U_T$ ; 1 cykl przy 0° 70% $U_T$ ; 25 cykli przy 0° Jednofazowy przy 0°


<b>Przerwy w zasilaniu</b>	
	Krótką przerwa w dostawie napięcia zasilającego nie może inicjować ani ograniczać działania wyrobu.
<b>Norma testowa</b>	<b>Poziom testowy odporności</b>
EN 61000-4-11	0% $U_T$ ; 300 cykli

## Emisja elektromagnetyczna

Emisja zaburzeń radioelektrycznych wprowadzanych do przewodów	
	Wyrób nie może wprowadzać do sieci nadmiaru szumu. Mogłoby to zaburzać pracę innych urządzeń.
<b>Norma testowa</b>	<b>Klasa i grupa testowa emisji</b>
EN 55011	Klasa B, grupa 1

Emisja pola elektromagnetycznego o częstotliwości radiowej	
	Produkt nie może emitować sygnałów o częstotliwościach radiowych w pomieszczeniu. Mogłoby to zaburzać pracę innych urządzeń.
<b>Norma testowa</b>	<b>Klasa i grupa testowa emisji</b>
EN 55011	Klasa B, grupa 1

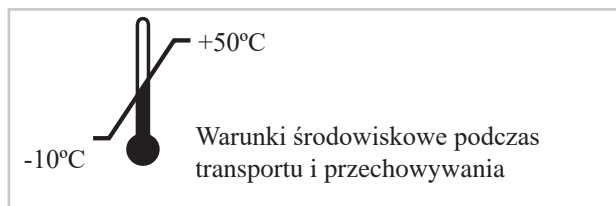
Emisje harmoniczne prądu	
	Wyrób nie może w sposób niezamierzony pobierać zasilania z sieci.
<b>Norma testowa</b>	<b>Klasa i grupa testowa emisji</b>
IEC 61000-3-2	Klasa A

Zmiany napięcia, wahania napięcia i migotanie	
	Wyrób nie może wpływać na inne urządzenia, gdy jest podłączony do sieci. Mogłoby to np. spowodować migotanie oświetlenia, niepokojąc osoby obecne w pomieszczeniu.
<b>Norma testowa</b>	<b>Klasa i grupa testowa emisji</b>
EN 61000-3-3	Zbadano zgodnie z normą.

## Dane techniczne

Materiały	Stal nierdzewna lakierowana proszkowo. Tworzywa sztuczne (PCW, polistyren, ABS).
Klasa IP	Elementy elektryczne posiadają klasę ochrony IPX6. Wyrobu nie wolno zanurzać w wodzie, ale jest zaprojektowany tak, aby wytrzymać silne strumienie wody (dysza 12,5 mm) z dowolnego kierunku.
Zmierzony poziom ciśnienia akustycznego	48 dB

## Przechowywanie i transport



- Zakres dopuszczalnych temperatur transportu i przechowywania urządzenia wynosi od -10 do 50°C.
- Urządzenie należy zawsze transportować w oryginalnym opakowaniu.
- Unikaj narażania opakowania na wstrząsy i uderzenia.
- Nie używaj wyrobu, jeżeli opakowanie jest uszkodzone.

## Utylizacja i recykling

Wyrób zawiera materiały, które można poddawać recyklingowi. Nie istnieją znane zagrożenia lub ryzyka związane z usuwaniem wyrobu. Wszystkie komponenty można utylizować po ich uprzednim wyczyszczeniu i zdezynfekowaniu.

W przypadku usuwania wyrobu zalecamy rozmontowanie go i podzielenie odpadów na grupy do recyklingu lub spalenia.

Poniższa tabela zawiera informacje dotyczące recyklingu i postępowania z wyrobem.

Komponenty, które można poddać recyklingowi	Material
Stal	Stal może zostać poddana recyklingowi poprzez ponowne przetopienie i włączenie jej jako materiału wtórnego do produkcji nowej stali.
Tworzywa sztuczne	Należy stosować systemy sortowania i recyklingu tworzyw sztucznych tam, gdzie jest to lokalnie możliwe, w innym przypadku spalanie tworzyw sztucznych niesie dodatkową korzyść w postaci energii, którą można wykorzystać na przykład do skojarzonego wytwarzania energii elektrycznej i ciepła.
Elektronika	Części elektroniczne powinny być gromadzone oddzielnie i oddawane do wyznaczonych zakładów recyklingu.

# 目录

安装说明.....	273
本手册使用的标志.....	274
一般安全要求.....	275
安全距离.....	276
用途.....	278
操作员说明.....	278
使用者说明.....	278
工作环境.....	278
禁忌症.....	278
操作说明.....	279
水平调节.....	280
安全护栏.....	281
重置洗手盆升降器.....	281
清洁.....	282
维护.....	283
维护检查.....	283
产品标签.....	288
故障排解.....	290
电磁兼容性.....	291
电磁抗扰性.....	292
电磁辐射.....	296
技术参数.....	297
储存和运输.....	297
处理与回收.....	298

## 安装说明



本产品随附安装说明。也可从 [pressalit.com](http://pressalit.com) 下载。



# 本手册使用的标志

本手册和本产品随附的相关文件使用以下标志。

 <b>警告</b>		<b>警告</b> 提醒使用者注意潜在危险状况，如果未能避开这种状况，可能导致人员死亡或严重伤害。	
 <b>小心</b>		<b>小心</b> 提醒使用者注意潜在危险状况，如果未能避开这种状况，可能导致轻度或中度伤害。该标志也可用于提醒不安全行为。	
<b>重要信息</b>		<b>重要信息</b> 提醒使用者注意操作和使用本产品的重要信息。	
<b>注意</b>		<b>注意</b> 用于提醒与人身安全无关的行为。	
			
头部受伤警告	手部受伤警告	生殖器受伤警告	脚部受伤警告
			
电流/电压警告	兼容产品	货号/版本	电源规格
			
产品重量	最大使用者体重		

# 一般安全要求

## 警告

- 使用前，请通读并理解本手册。将手册存放在设备附近。
- 按照本手册操作，避免发生造成严重人身伤害的意外。
- 使用或操作本产品时，切勿采用本手册并未介绍的其他方式，因为这会危及您的安全并损坏产品。
- 确保安装或使用本产品及其系统的人员均掌握必要信息并可查阅本手册。

## 小心

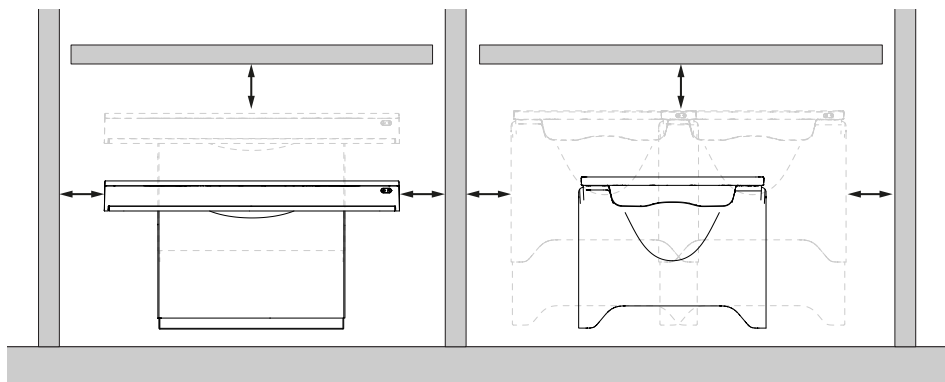
- 请遵守相关说明，避免产品受损或损毁。
- 切勿维修、拆卸或组装、扩展、重新调整或改装本产品。这些操作必须由 Pressalit 或 Pressalit 授权的人士执行。
- 若无人看管，请不要让儿童操作本产品。本产品不适用于娱乐游戏。
- 产品如有缺陷或损坏，切勿使用。缺陷产品待修理后方可使用。







## 注意

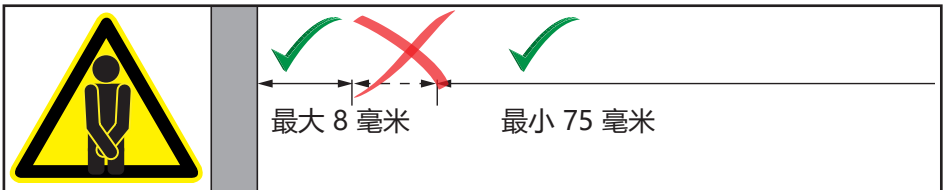
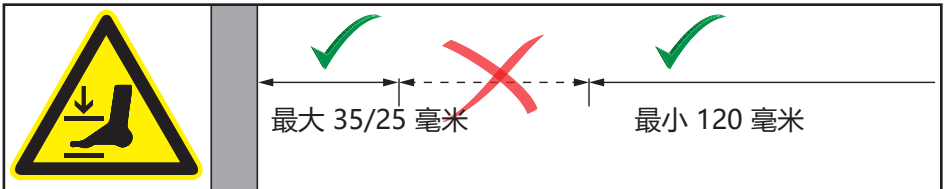
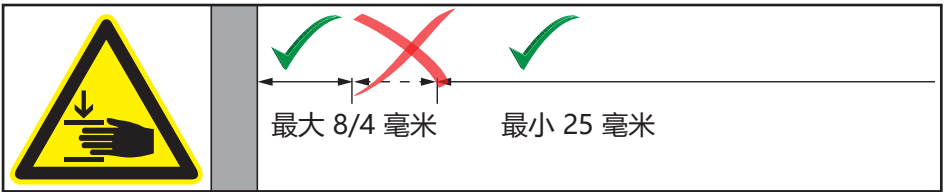
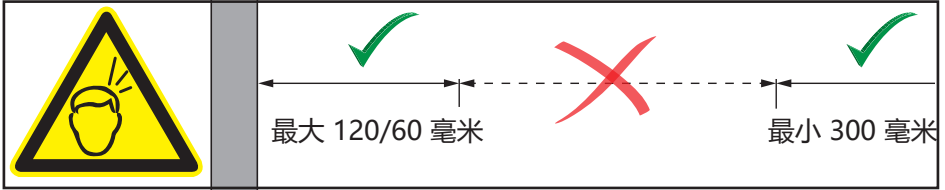
- 本手册资料以按照组装说明正确安装本产品为基础。
- 如果以指南所述以外的方法使用本产品，Pressalit 概不负责。
- 我们保留修订本手册的权利，恕不另行通知。

# 安全距离

请确保洗手盆升降器与周围物体保持安全距离。使用前请检查距离是否安全。



ISO 17966:2016		
	最大 120 毫米 最小 300 毫米	最大 60 毫米 最小 300 毫米
	最大 8 毫米 最小 25 毫米	最大 4 毫米 最小 25 毫米
	最大 35 毫米 最小 120 毫米	最大 25 毫米 最小 120 毫米
	最大 8 毫米 最小 75 毫米	最大 8 毫米 最小 75 毫米



 **警告**

如果装置在安全距离内移动，请密切关注周围的人和物体，以避免挤压危险。

# 用途

本产品用于为坐立和站立的行动不便的用户提供最符合人体工程学的洗手盆使用方式。

## 操作员说明

本产品可供所有人（成人、儿童、年青人和老人）使用。

## 使用者说明

本产品可供所有人（成人、儿童、年青人和老人）使用。

## 工作环境

在室内潮湿环境中使用，如浴室或盥洗室。本产品在室温下使用，可在私人住所、疗养院和医院中在正常工作条件下运行。

## 禁忌症

如果用户无法稳定地保持坐姿，则不建议使用此洗手盆升降器。



如果产品暴露的外部环境过热或者过冷（例如阳光或者霜冻下），产品表面可能会变得灼热/或冰冷。

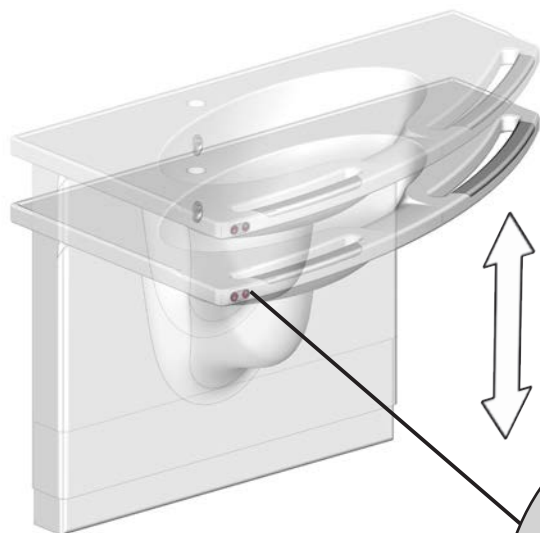
## 注意

任何与本产品有关的严重事故都应报告给制造商和卫生主管部门。

# 操作说明

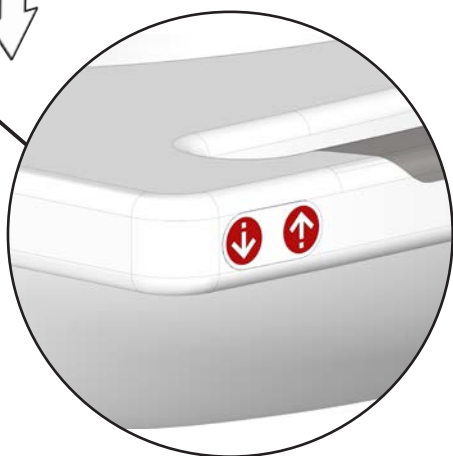
洗手盆升降器型号 R4822, R4827, R4828, R4850, R4855, R4852, R4857, R4870 和 R4875 可上下调节 200 毫米。

**最大载重为 150 公斤。**



通过洗手盆前方边沿上的操作按钮可以进行高度调节。

按住“向上”按钮升高洗手盆，按住“向下”按钮降低洗手盆。在松开按钮时停止移动。



**小心不要将手放在活动机械部件附近以免受伤。**

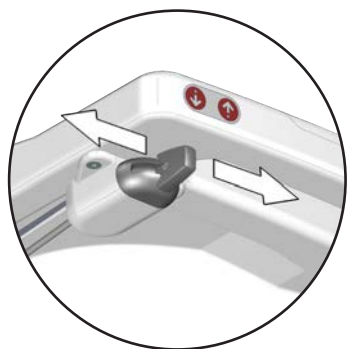


切勿在洗手盆下放置任何物品。

## 水平调节

洗手盆升降器型号 R482219, R482719, R485019, R485519, R485219 和 R485719 可上下调节 300 毫米, 并且可左右调节共 500 毫米。

**最大载重为 150 公斤。**



按住侧面向左或向右调整按钮, 解锁滑动机构。抓住水槽的把手, 向左或向右推动洗手盆升降器。升降装置可轻松滑动, 所以无需费力。

当洗手盆升降器处于所需位置时, 松开侧面调节按钮, 升降器锁定到位并伴有咔哒声。



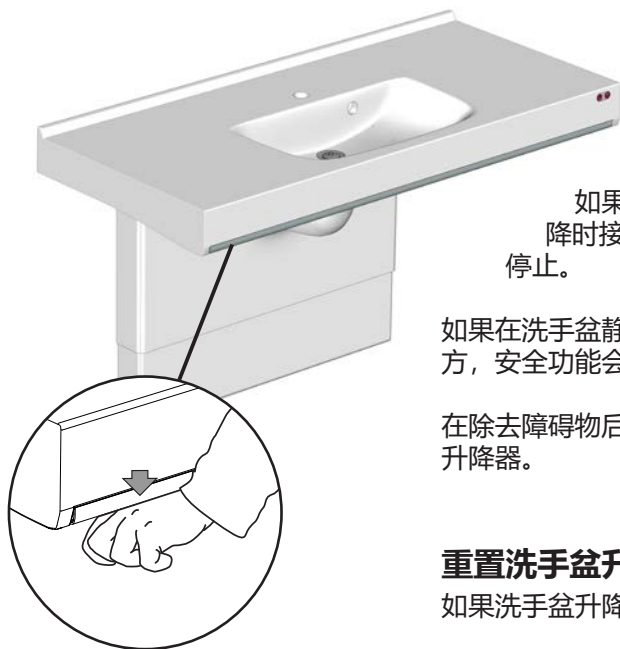
在进行任何使用或高度调整之前, 请确保锁定机构已正确接合。将洗手盆升降器稍微向右或向左推动直到听到咔哒声。



**水平移动洗手盆升降器时注意不要伤到脚**

# 安全护栏

洗手盆升降器 R4870 和 R4875 配备安全护栏。



如果安全护栏在洗手盆下降时接触到物品，电机会立刻停止。

如果在洗手盆静止时有物品接触其下方，安全功能会启动且洗手盆会升起。

在除去障碍物后，可再次使用洗手盆升降器。

## 重置洗手盆升降器

如果洗手盆升降器卡住，请尝试重置。

- ① 确保安全护栏未启动。将洗手盆升降器降至起始位置。
- ② 松开下降按钮，在 3-4 秒后，重新按住此按钮大约 10 秒，直至听到轻轻的“咔嗒”声。
- ③ 松开下降按钮，然后将洗手盆升降器升至最高点。您还会听到“咔嗒”声。
- ④ 将洗手盆升降器降低几厘米。
- ⑤ 再次将其升至最高点。您还会听到“咔嗒”声。  
洗手盆升降器现已重置。在发生电源中断后，也应重置洗手盆升降器。



# 清洁

应使用热水或温和的肥皂清洁剂来清洁本产品。

如需要了解适用于此特殊产品并经过 Pressalit 测试且认可的清洁用品，请浏览网站 [Pressalit.com](http://Pressalit.com)，并参照货号。

Pressalit 建议产品安装后进行清洁。



务必阅读材料安全数据表 (MSDS) 和随附的清洁、消毒或除垢剂说明，并按照说明安全使用、稀释、冲洗、干燥、处理和储存溶剂。

## 重要信息

- 切勿使用高压灭菌器或其他类型的蒸汽清洁器。
- 避免使用含酸的强力清洁剂。
- 切勿使用高压清洁器直接喷洗本产品。
- 根据产品规格和这些产品的安全预防措施，可使用含氯消毒剂进行表面消毒。

# 维护

若按下述说明进行维护，洗手盆升降器的预计使用年限为 10 年。

建议每周执行一次：将产品升至最高点再降至最低点，使产品电机运行至最大行程，以此润滑内部部件。

建议一年进行一次维护检查。

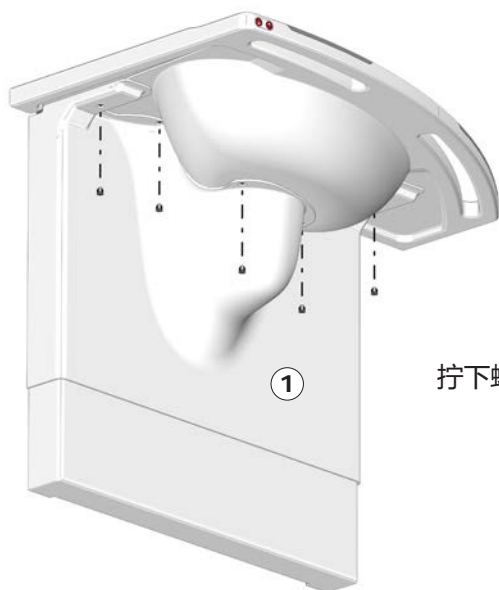
## 维护检查

将洗手盆升至最高点。

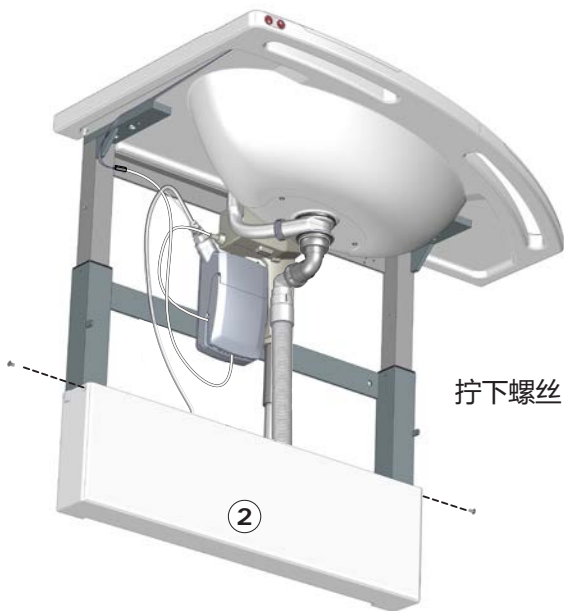


在取下盖子之前，断开总电源。

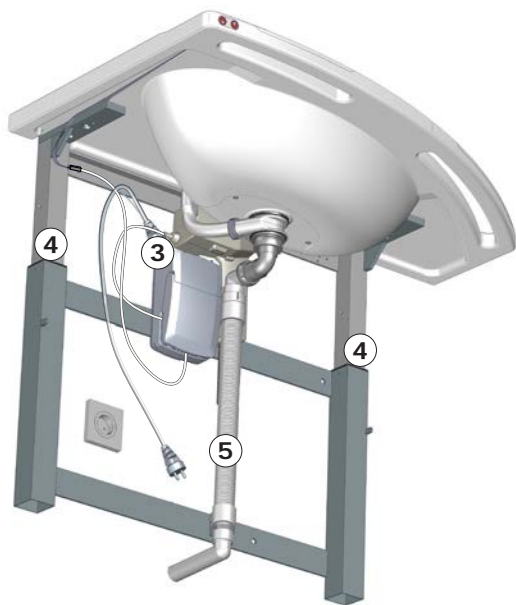
适用于 R4822, R4827, R4828, R4850, R4855, R4852 和 R4857



拧下螺丝，取下上前盖①。



拧下螺丝，取下前盖②。



检查所有电气连接③。

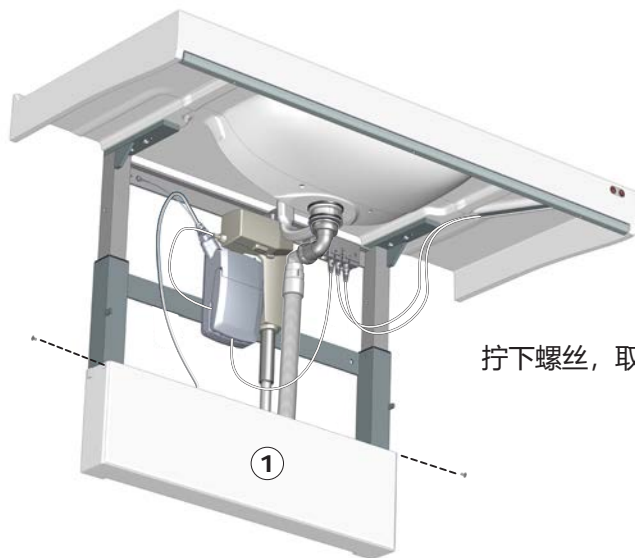
润滑内部方管④和制动杆⑤。

重新盖上前盖和顶盖。

接通总电源。

将洗手盆降至最低点，然后再将其升至最高点，使润滑剂涂抹均匀。

## 适用于 R4870 和 4875

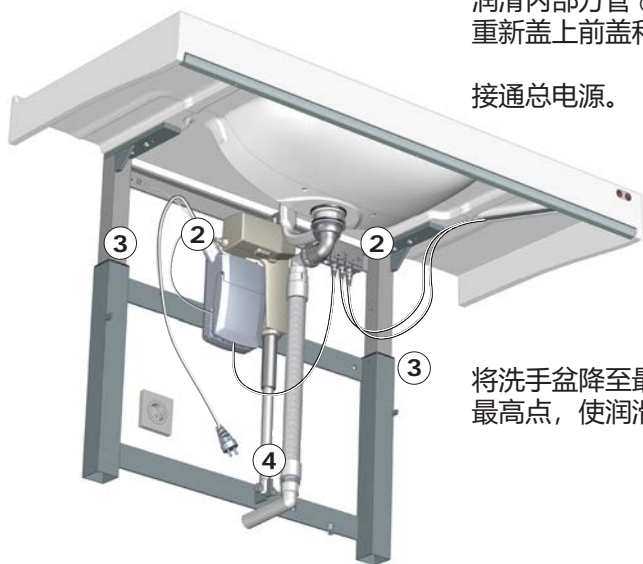


拧下螺丝，取下前盖①。

检查所有电气连接②。

润滑内部方管③和制动杆④。  
重新盖上前盖和顶盖。

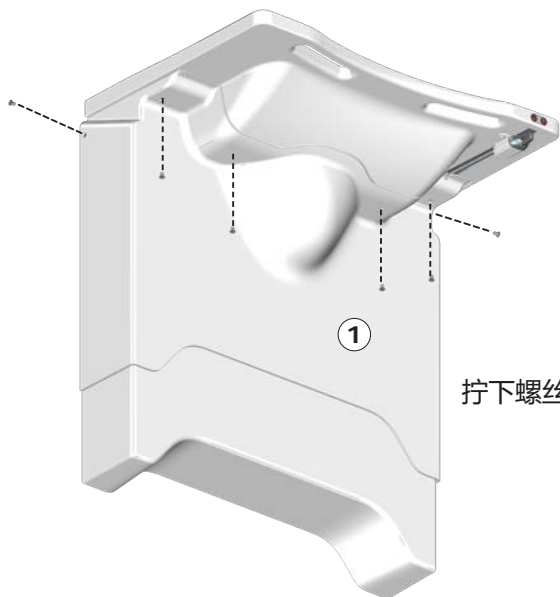
接通总电源。



将洗手盆降至最低点，然后再将其升至  
最高点，使润滑剂涂抹均匀。

适用于 R482219, R482719, R485019, R485219, R485519, R485719

将洗手盆升至最高点。



拧下螺丝，取下上前盖①。



拧下螺丝，取下下前盖②。

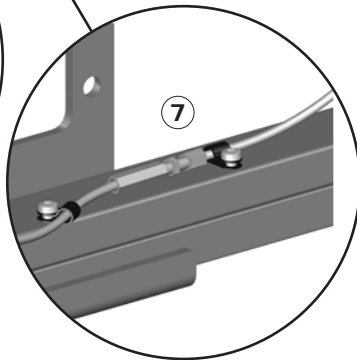
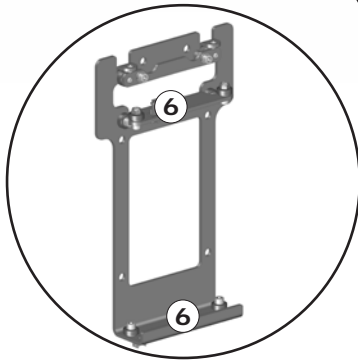


检查所有电气连接 ①。

润滑内部方管 ② 和制动杆 ③。

润滑横栏 ④，锁扣 ⑤ 和滑动机构的轴承 ⑥。

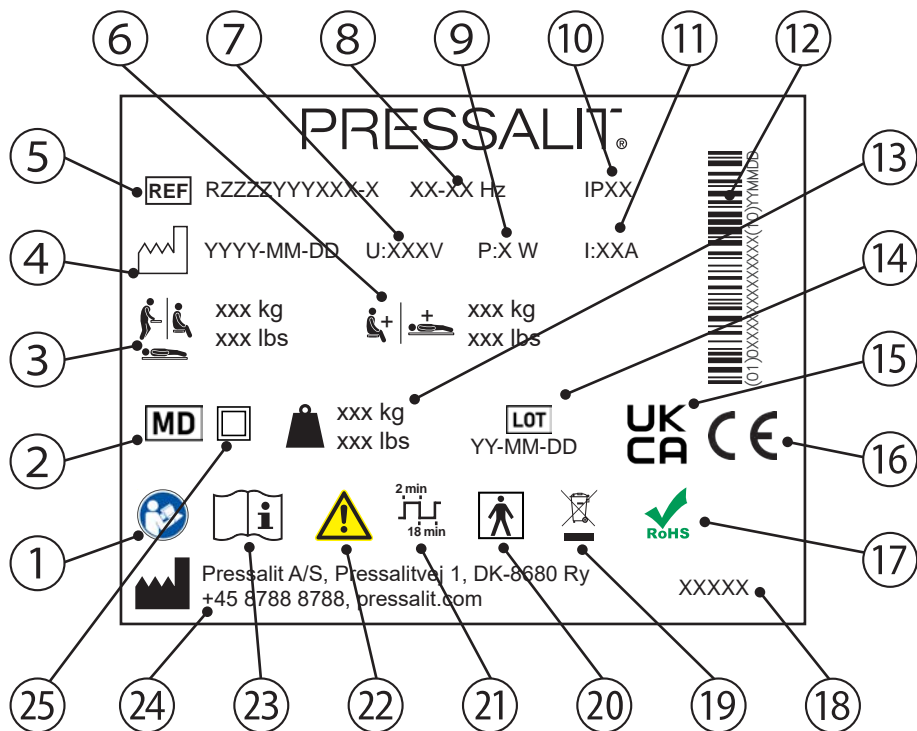
检查锁定机构的电缆是否太松。如果太松，请使用调节螺丝 ⑦ 拧紧。



中文

重新盖上前盖和顶盖，并重新连接电源。  
将洗手盆降至最低点，然后再将其升至最高点，使润滑剂涂抹均匀。  
同时将洗手盆升降器滑到最左侧和最右侧的位置。

# 产品标签



① 请参考使用手册

② 医疗器械

③ 最大使用者体重

④ 生产日期

⑤ 货号

⑥ 最大荷载

⑦ 电源电压

⑧ 频率

⑨ 最大功耗

⑩ IP 等级

---

⑪ 电流

---

⑫ GS1-128 条形码

---

⑬ 产品重量

---

⑭ 批次代码

---

⑮ 英国合格认定 (UK Conformity Assessed)

---

本产品根据以下相关要求加贴 CE 标志:

- 欧洲医疗器械法规 2017/745 (2017 年 4 月 5 日)

⑯ • 欧盟机械指令 2006/42/EC (2006 年 5 月 17 日)

- 欧盟 RoHS 指令 2011/65/EC (2011 年 6 月 8 日)

如需符合性声明, 请访问 [pressalit.com](http://pressalit.com)

---

⑰ 本产品不含欧盟 RoHS 指令 2011/65/EC 规定的任何有害物质。

---

⑱ 产品名称 (如果有)

---

⑲ 请勿按未分类生活垃圾处理。本产品应被单独收集, 然后送至指定的回收服务点。

---

⑳ BF 类应用部件。产品部件在正常使用时需要与患者有身体接触, 方可执行其功能。本产品符合 IEC 60601-1 要求, 有防电击保护功能。

---

㉑ 占空比

---

㉒ 请查阅手册, 了解警告和注意事项等重要警示信息。

---

㉓ 请参考使用手册

---

㉔ 生产商名称和地址

---

㉕ 双绝缘电器

---



# 故障排解

现象	原因	操作
操作按钮不起作用。	电源出现故障。	检查所有电线和插座是否完好无损且正确连接。 联系 Pressalit A/S 或当地经销商。
产品升降时不稳。	内部方管润滑不足。	按“维护”中的描述润滑内部方管。
产品无法侧移。	软管或电缆会被卡住。	如果有物体卡住请打开盖子并检查。
	锁定机构可能被卡住。	按照“维护”中的说明检查锁扣和电缆。
安全系统不起作用。	开关故障。	检查一个或多个安全系统是否卡住，如是，尝试清理障碍。如果问题无法修复，更换触点。安全系统仅在可检测到电流时才能工作。记得按照“重置洗手盆升降器”部分的描述进行重置。

如果仍无法解决问题，联系 Pressalit 或您的经销商。切勿尝试自行维修产品，因为这会导致保修失效。

# 电磁兼容性

本产品适用于家庭、日托中心、护理身体或精神残疾的机构或医院，但不可靠近高频外科手术设备及配有高强度电磁干扰的磁共振成像的医疗系统的射频屏蔽室。


该设备不具有任何与基本安全或基本性能相关的功能。如果由于电磁干扰而导致性能损失或下降，用户的安全不会受到影响。


缆线	长度
电源线	3.2米
手控螺旋电缆	可延长约至5米

## 警告


- 使用非制造商指定或提供的附件、换能器和电缆可能会导致此设备的电磁辐射增加或电磁抗扰度降低，并导致功能不正常。
- 使用便携式射频通信设备（包括天线电缆和外置天线等外部设备）时，距该设备的任何部分（包括其电缆）不得超过30厘米，以避免本设备的性能下降。
- 不应将本设备与其他设备相邻使用或与其他设备叠放使用，因为这可能导致操作不当。如果必须进行此类使用，则应观察该设备和其他设备以查看它们是否正常运行。

## 电磁抗扰性

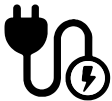
静电放电	
	产品不得因人与产品之间的放电而受到影响，例如启动操作或认为组件出现故障。
<b>测试标准</b>	<b>抗扰试验电平</b>
EN 61000-4-2	+/- 8 kV 触点 +/- 2, 4, 8, 15 kV 空气


辐射射频电磁场	
	产品不得受到辐射射频信号的影响，例如来自手机或收音机的辐射信号，这可能导致产品采取行动或使组件出现故障。
<b>测试标准</b>	<b>抗扰试验电平</b>
EN 61000-4-3	15 V/m 80 MHz 至 1000 MHz 15 V/m 1.01 GHz 至 6 GHz 80 % AM 1 kHz

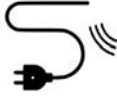
## 对来自射频无线通信设备的邻近场的抗扰度


	产品不得受到辐射射频信号的影响，例如来自手机或收音机的辐射信号，这可能导致产品采取行动或使组件出现故障。
<b>测试标准</b>	<b>抗扰试验电平</b>
EN 61000-4-3*	385 MHz, 27 V/m, 18 Hz PM (50 % 占空比方波) 450 MHz, 28 V/m, FM +/- 5 kHz 偏差, 1 kHz 正弦 710 MHz, 9 V/m, 217 Hz PM (50 % 占空比方波) 745 MHz, 9 V/m, 217 Hz PM (50 % 占空比方波) 780 MHz, 9 V/m, 217 Hz PM (50 % 占空比方波) 810 MHz, 28 V/m, 18 Hz PM (50 % 占空比方波) 870 MHz, 28 V/m, 18 Hz PM (50 % 占空比方波) 930 MHz, 28 V/m, 18 Hz PM (50 % 占空比方波) 1720 MHz, 28 V/m, 217 Hz PM (50 % 占空比方波) 1845 MHz, 28 V/m, 217 Hz PM (50 % 占空比方波) 1970 MHz, 28 V/m, 217 Hz PM (50 % 占空比方波) 2450 MHz, 28 V/m, 217 Hz PM (50 % 占空比方波) 5240 MHz, 9 V/m, 217 Hz PM (50 % 占空比方波) 5500 MHz, 9 V/m, 217 Hz PM (50 % 占空比方波) 5785 MHz, 9 V/m, 217 Hz PM (50 % 占空比方波)

## 电快速瞬变/脉冲群

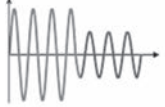
	产品不得受到通过电源线通过快速脉冲信号的影响。这可能会导致组件出现缺陷，或者产品可能会启动操作。
<b>测试标准</b>	<b>抗扰试验电平</b>
EN 61000-4-4	+/- 1 kV-, +/- 2 kV 100 kHz 重复频率

<b>抗扰度</b>	
	产品不得因闪电受到影响，例如启动操作或认为组件出现故障。
<b>测试标准</b>	<b>抗扰试验电平</b>
EN 61000-4-5	两线间: +/- 0.5 kV-, +/- -1 kV 接地: +/- 0.5 kV, +/- 1 kV, +/- 2 kV


<b>对射频场引起的传导干扰的抗扰度</b>	
	连接线不得受其他射频场干扰，否则会影响运行或导致部件损坏。
<b>测试标准</b>	<b>抗扰试验电平</b>
EN 61000-4-6	3 V (6 V 用于 ISM 波段及业余无线电频段) 0.15 至 80 MHz, 1 kHz 时 80% 调幅

<b>工频磁场抗扰度</b>	
	产品不得因磁场而受到影响以启动操作或使组件出现缺陷。
<b>测试标准</b>	
EN 61000-4-8	30 A/m, 60 Hz


## 电压骤降


	产品不得因电源电压下降而启动或限制动作。
<b>测试标准</b>	<b>抗扰试验电平</b>
EN 61000-4-11	0% $U_T$ ; 0°、45°、90°、135°、180°、225°、270°和315° 时0.5个循环 0% $U_T$ ; 0°时1个循环 70% $U_T$ ; 0°时25个循环 0°单相


## 电压中断


	产品不得因短时断电而启动或限制操作。
<b>测试标准</b>	<b>抗扰试验电平</b>
EN 61000-4-11	0% $U_T$ ; 300个循环

## 电磁辐射

传导射频发射	
	产品不得向电网发送太多噪音。这会扰乱其他产品的运行。
<b>测试标准</b>	<b>排放测试级别和组</b>
EN 55011	B级, 1组

辐射射频发射	
	产品不得在房间内发射射频信号。这会扰乱其他产品的运行。
<b>测试标准</b>	<b>排放测试级别和组</b>
EN 55011	B级, 1组

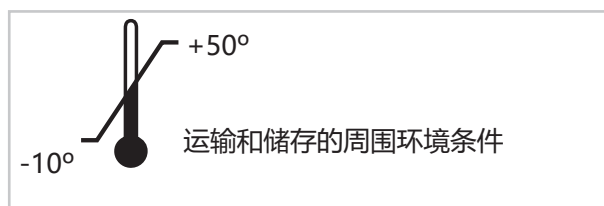
谐波电流发射	
	产品不得无意地从电网获取电力。
<b>测试标准</b>	<b>排放测试级别和组</b>
IEC 61000-3-2	级别A

电压变化、电压波动和闪烁	
	产品接入电网时不得影响其他产品。例如, 灯可能会开始闪烁, 从而打扰房间里的人。
<b>测试标准</b>	<b>排放测试级别和组</b>
EN 61000-3-3	根据标准进行测试。

## 技术参数

材料	粉漆不锈钢 塑料 (PVC、聚苯乙烯、ABS 塑料)
IP 等级	电气部件的防护等级为 IPX6。本产品不能浸入水中，但是，可以承受各方向喷来的大水柱（12.5 毫米喷嘴）。
测得的声压级	48 分贝

## 储存和运输



- 装置的储存和运输温度必须介于 -10 到 50 摄氏度之间。
- 始终利用原始包装运输装置。
- 避免包装遭受撞击。
- 如果包装损坏，请勿使用产品。



# 处理与回收

装置中含有可重复使用的材料。处理产品并不存在已知危险或风险。所有组件在清洁和消毒后方可丢弃。

处理产品时，建议按照不同的垃圾种类将产品进行拆卸和分解，再回收或烧毁。

下表提供关于回收和处理产品的资料。

可回收组件	材料
钢	钢可在熔化后循环再用，并用作新钢生产的二次材料。
塑料	如果当地有塑料分类回收系统，应妥善使用。如果没有，焚烧塑料也具有产生能源的额外优点，例如可用于热电联产等用途。
电子组件	电子组件应单独收集，然后送至指定的回收服务点。

## المحتوى

299	إرشادات التركيب
300	السلامة العامة
301	الرموز المستخدمة في هذا الدليل
302	السلامة العامة
303	مسافات السلامة
305	الغرض من الاستخدام
305	مواصفات المشغل المعني
305	مواصفات المستخدم المعني
305	بيئة التشغيل
305	موانع الاستخدام
306	إرشادات التشغيل
307	التعديل على الجانبين
308	قضايا السلامة
308	إعادة ضبط رافعة حوض الغسيل
309	التنظيف
310	الصيانة
310	فحص الصيانة
315	ملصق تعريف المنتج
317	استكشاف المشكلات وإصلاحها
318	التوافق الكهرومغناطيسي
319	الحصانة الكهرومغناطيسية
323	الانبعاثات الكهرومغناطيسية
324	البيانات الفنية
324	التخزين والنقل
325	التخلص من المنتج وإعادة تدويره

## إرشادات التركيب



إرشادات التركيب مرفقة مع المنتج. ويمكن أيضًا تنزيلها من [pressalit.com](http://pressalit.com).

### تحذير !

- احرص على قراءة الدليل بالكامل واستيعابه تمامًا قبل الاستخدام. احتفظ بالدليل في مكان قريب من الوحدة.
- التزم بالإرشادات الواردة في هذا الدليل لتلافي وقوع حوادث قد تؤدي إلى التعرض لإصابة شخصية خطيرة.
- يحظر تمامًا استخدام هذا المنتج أو التعامل معه بطرق أخرى غير تلك المحددة في هذا الدليل، حيث قد يؤدي ذلك إلى تعريض سلامتك الشخصية للخطر وتلف المنتج.
- تأكد من إمام جميع الأشخاص القائمين على تركيب المنتج وأنظمتها أو استخدامها بالمعلومات الضرورية ومن إمكانية حصولهم على هذا الدليل.

### تنبيه !

- يرجى الالتزام بهذه الإرشادات لتلافي تعرض المنتج للتلف أو التدمير.
- لا تقم بإجراء أي أعمال إصلاح، أو عمليات فك أو تجميع للمكونات، أو توسعات، أو عمليات إعادة ضبط، أو تعديلات بهذا المنتج. يجب عدم إجراء هذه العمليات سوى بمعرفة شركة Pressalit أو الأشخاص المعتمدين من شركة Pressalit.
- يحظر تمامًا السماح للأطفال بتشغيل هذا المنتج دون إشراف. هذا المنتج غير مخصص لأغراض اللعب.
- يحظر تمامًا استخدام المنتج إذا كان معيبًا أو تالفًا. يحظر استخدام المنتج المعيب قبل إجراء أعمال الإصلاح له.

### ملاحظة

- تعتمد المعلومات الموضحة في هذا الدليل على التركيب السليم للمنتج وفقًا لإرشادات التجمي ع الخاصة بنا.
- لن تتحمل شركة Pressalit أي مسؤولية في حالة استخدام المنتج بأي طريقة تختلف عن تلك الموضحة في الدليل.
- نحتفظ بالحق في تعديل هذا الدليل دون إشعار مسبق.

## الرموز المستخدمة في هذا الدليل

تُستخدم الرموز التالية في هذا الدليل وكذلك في الوثائق ذات الصلة المرفقة مع المنتج.

 <p><b>تحذير</b></p>	<p>يشير الرمز تحذير إلى موقف ينطوي على خطورة محتملة وقد يؤدي إلى الوفاة أو التعرض لإصابة خطيرة في حالة عدم تلافيه.</p>		
 <p><b>تنبيه</b></p>	<p>يشير الرمز تنبيه إلى موقف ينطوي على خطورة محتملة وقد يؤدي إلى التعرض لإصابة طفيفة أو متوسطة في حالة عدم تلافيه. قد يُستخدم هذا الرمز أيضاً للتحذير من الممارسات غير الآمنة.</p>		
<p><b>معلومات مهمة</b></p>	<p>يشير الرمز معلومات مهمة إلى معلومات مهمة بخصوص التعامل مع المنتج واستخدامه.</p>		
<p><b>ملاحظة</b></p>	<p>يُستخدم الرمز ملاحظة للإشارة إلى ممارسات غير مرتبطة بالسلامة الشخصية.</p>		
			
<p>تحذير من التعرض لإصابة بالرأس</p>	<p>تحذير من التعرض لإصابة باليدين</p>	<p>تحذير من التعرض لإصابة بالأعضاء التناسلية</p>	<p>تحذير من التعرض لإصابة بالقدمين</p>
			
<p>تحذير من الكهرباء / الجهد الكهربائي</p>	<p>منتجات متوافقة</p>	<p>رقم/إصدارات البند</p>	<p>مواصفات الطاقة</p>
			
<p>وزن المنتج</p>	<p>أقصى وزن للمستخدم</p>		

### تحذير !

- احرص على قراءة الدليل بالكامل واستيعابه تمامًا قبل الاستخدام. احتفظ بالدليل في مكان قريب من الوحدة.
- التزم بالإرشادات الواردة في هذا الدليل لتلافي وقوع حوادث قد تؤدي إلى التعرض لإصابة شخصية خطيرة.
- يحظر تمامًا استخدام هذا المنتج أو التعامل معه بطرق أخرى غير تلك المحددة في هذا الدليل، حيث قد يؤدي ذلك إلى تعريض سلامتك الشخصية للخطر وتلف المنتج.
- تأكد من إمام جميع الأشخاص القائمين على تركيب المنتج وأنظمتها أو استخدامها بالمعلومات الضرورية ومن إمكانية حصولهم على هذا الدليل.

### تنبيه !

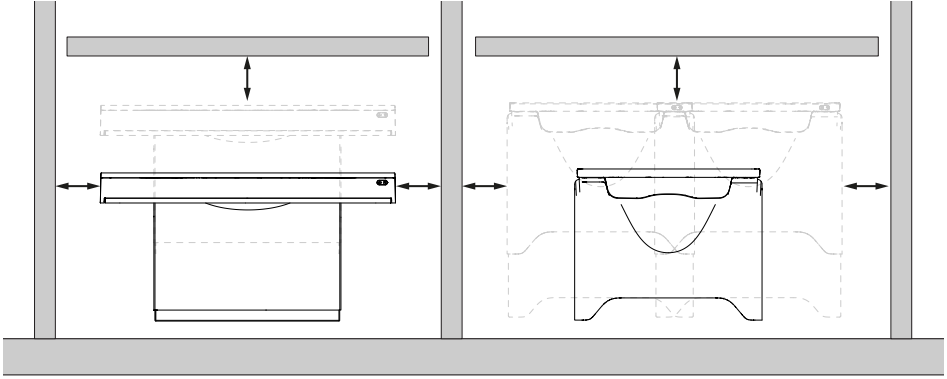
- يرجى الالتزام بهذه الإرشادات لتلافي تعرض المنتج للتلف أو التدمير.
- لا تقم بإجراء أي أعمال إصلاح، أو عمليات فك أو تجميع للمكونات، أو توسعات، أو عمليات إعادة ضبط، أو تعديلات بهذا المنتج. يجب عدم إجراء هذه العمليات سوى بمعرفة شركة Pressalit أو الأشخاص المعتمدين من شركة Pressalit.
- يحظر تمامًا السماح للأطفال بتشغيل هذا المنتج دون إشراف. هذا المنتج غير مخصص لأغراض اللعب.
- يحظر تمامًا استخدام المنتج إذا كان معيبًا أو تالفًا. يحظر استخدام المنتج المعيب قبل إجراء أعمال الإصلاح له.







### ملاحظة

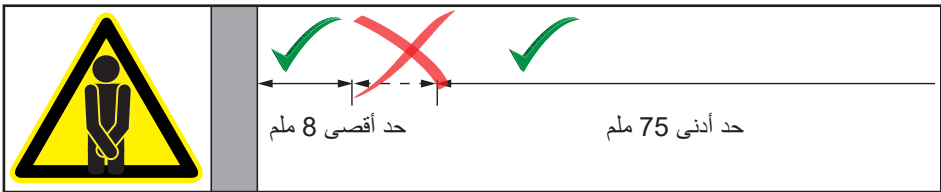
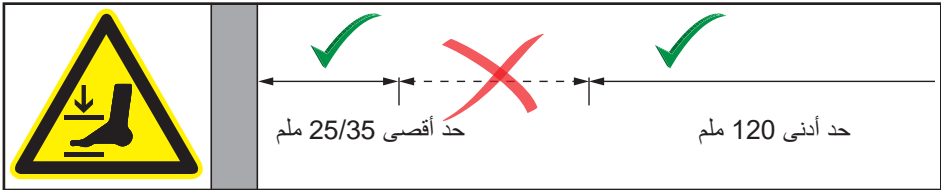
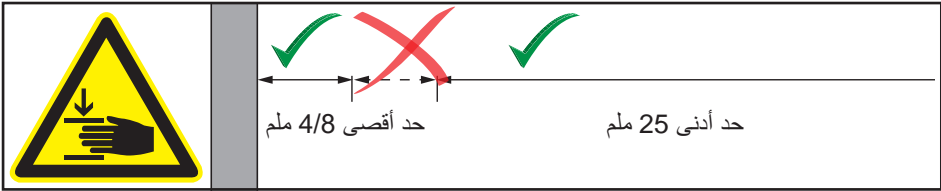
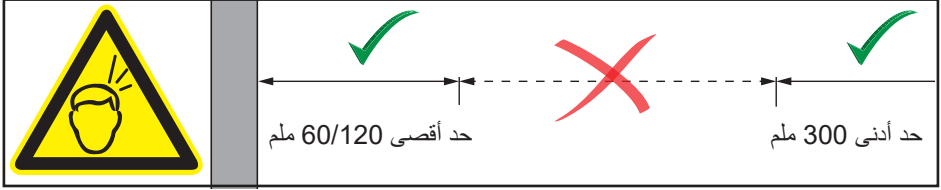
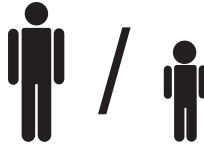
- تعتمد المعلومات الموضحة في هذا الدليل على التركيب السليم للمنتج وفقًا لإرشادات التجمي ع الخاصة بنا.
- لن تتحمل شركة Pressalit أي مسؤولية في حالة استخدام المنتج بأي طريقة تختلف عن تلك الموضحة في الدليل.
- نحتفظ بالحق في تعديل هذا الدليل دون إشعار مسبق.

## مسافات السلامة

تأكد من أن رافعة حوض الغسيل على مسافة آمنة من الأشياء المحيطة. افحص المسافات قبل أي استخدام.



ISO 17966:2016		
	حد أقصى 120 ملم حد أدنى 300 ملم	حد أقصى 60 ملم حد أدنى 300 ملم
	حد أقصى 8 ملم حد أدنى 25 ملم	حد أقصى 4 ملم حد أدنى 25 ملم
	حد أقصى 35 ملم حد أدنى 120 ملم	حد أقصى 25 ملم حد أدنى 120 ملم
	حد أقصى 8 ملم حد أدنى 75 ملم	حد أقصى 8 ملم حد أدنى 75 ملم



**تحذير** ⚠️

إذا تحركت الوحدة ضمن مسافات الأمان، فعليك مراقبة الأشخاص والأشياء المحيطة عن كثب لتجنب مخاطر الانسحاق.

## الغرض من الاستخدام

هذا المنتج مُصمم خصيصًا بغرض تقديم الهندسة البشرية الأفضل في حوض الغسيل للمستخدمين من ذوي الإعاقة سواء كانوا في وضعية الوقوف أم الجلوس.

### مواصفات المشغل المعني

يمكن للجميع من البالغين والأطفال والشباب والمسنين استخدام المنتج.

### مواصفات المستخدم المعني

يمكن للجميع من البالغين والأطفال والشباب والمسنين استخدام المنتج.

### بيئة التشغيل

المنتج مصمم للاستخدام في البيئات الداخلية الرطبة، مثل الحمامات أو غرف الاغتسال. المنتج مخصص للاستخدام في درجة حرارة الغرفة، في الدور الخاصة، ودور الرعاية والتمريض، والمستشفيات في ظروف العمل العادية.

### موانع الاستخدام

لا ننصح الأشخاص الذين لا يمكنهم الحفاظ على توازنهم أثناء الجلوس في الوضع القائم باستخدام رافعة كرسي حوض الغسيل.

**تنبيه!**

قد يصبح سطح المنتج ساخنًا أو باردًا إذا تعرض لمصادر خارجية للحرارة أو البرودة (مثلًا، ضوء الشمس أو الصقيع).

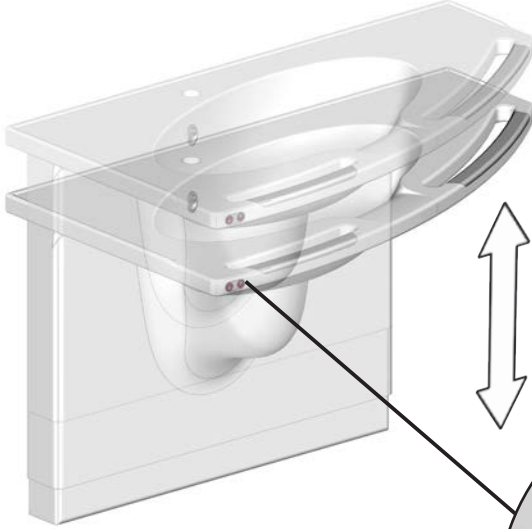
**ملاحظة**

يجب إبلاغ الشركة المصنعة والسلطات الصحية بأي حادث خطير يقع عند استخدام المنتج.



## إرشادات التشغيل

يمكن تعديل طُرز رافعة حوض الغسيل R4822 و R4827 و R4828 و R4850 و R4855 و R4852 و R4857 و R4870 و R4875 بمقدار 200 ملم لأعلى ولأسفل.  
حمولة قصوى 150 كجم/ 330 رطلاً.



يتم التحكم في ضبط الارتفاع من أزرار التشغيل بالحافة الأمامية من حوض الغسيل

اضغط مع الاستمرار على الزر الذي يشير لأعلى لرفع حوض الغسيل واضغط مع

الاستمرار على الزر الذي يشير لأسفل لخفضه. وعند تحرير الزر، تتوقف الحركة.



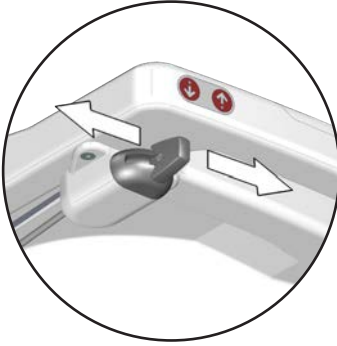
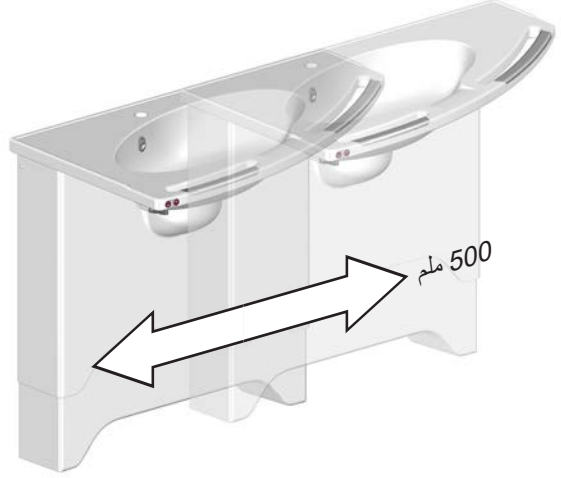
توخ الحذر لتلافي تعرض يديك للإصابة عند الوقوف على مقربة من القطع الميكانيكية المتحركة.

تنبيه!

تجنب تمامًا وضع أشياء أسفل حوض الغسيل.

## التعديل على الجانبين

يمكن تعديل موديلات رافعة حوض الغسيل  
R482719 و R482219, R482719  
و R485219 و R485519 و R485019  
و R485719 بمقدار 300 ملم لأعلى  
ولأسفل، وأيضاً 500 ملم إجمالاً إلى اليسار  
أو اليمين.  
حمولة قصوى 150 كجم/ 330 رطلاً.



افتح آلية الانزلاق بالضغط مع الاستمرار على زر الضبط الجانبي  
إما لليسر أو لليمين.  
أمسك مقابض الحوض وادفع رافعة حوض الغسيل إلى اليسار أو  
اليمن. تنزلق الرافعة بسهولة تامة، لذلك لن تضطر إلى بذل جهد  
كبير.

وعندما تكون رافعة حوض الغسيل في الموضع المطلوب، اترك زر الضبط الجانبي وسيتم تثبيت الرافعة في  
مكانها بنقرة واحدة.

### تنبيه

تأكد من تعشيق آلية القفل بشكل صحيح قبل أي استخدام أو ضبط للارتفاع. ويُضَمَّن ذلك بدفع رافعة حوض  
الغسيل قليلاً إلى اليمين أو اليسار حتى تسمع صوت طقطقة.



احرص على عدم إصابة قدميك عند تحريك رافعة  
حوض الغسيل على أحد الجانبين

## قضييب السلامة

تم تزويد رافعتي حوض الغسيل R4870 و R4875 بقضييب السلامة.



إذا قام قضييب السلامة بلامسة أي جسم أثناء خفض حوض الغسيل لأسفل، فتنوقف الحركة على الفور.

إذا قام أي جسم بلامسة الجانب السفلي من حوض الغسيل حينما يكون ثابتاً، فيتم تنشيط وظيفة السلامة ورفع حوض الغسيل.

يمكن استخدام رافعة حوض الغسيل مجدداً بمجرد التخلص من الجسم الذي يعوقها.

### إعادة ضبط رافعة حوض الغسيل

إذا كانت رافعة حوض الغسيل عالقة، فحاول إعادة

ضبطها.

- ① تأكد من عدم تنشيط قضييب السلامة. واسحب رافعة حوض الغسيل لأسفل نزولاً إلى نقطة بدايتها.
- ② قم بتحريك زر الخفض، ثم اضغط عليه ثانيةً بعد مرور 3-4 ثوان إلى أن تسمع صوت طقطقة خفيفة بعد حوالي 10 ثوان.
- ③ قم بتحريك زر الخفض، ثم ارفع رافعة حوض الغسيل إلى أعلى مستوى لها. وستسمع صوت الطقطقة ثانيةً.
- ④ اخفض رافعة حوض الغسيل لمسافة سنتيمترين.
- ⑤ ارفعها ثانيةً إلى أعلى مستوى لها. وستسمع صوت الطقطقة ثانيةً. تمت الآن إعادة ضبط رافعة حوض الغسيل. ويجب أيضاً إعادة ضبط رافعة حوض الغسيل إذا حدث انقطاع في التيار الكهربائي.

## التنظيف

يجب تنظيف المنتج بماء ساخن ومستحضر تنظيف صابوني معتدل. لمعرفة منتجات التنظيف التي تم اختبارها والموافقة عليها من قبل Pressalit للمنتج المحدد، يُرجى زيارة [Pressalit.com](http://Pressalit.com) والرجوع إلى رقم العنصر الخاص بالمنتج. توصي Pressalit بتنظيف المنتج بعد التركيب.

### تنبيه

احرص دائماً على قراءة ورقة بيانات سلامة المادة (MSDS) والإرشادات المرفقة مع مستحضر التنظيف أو التعقيم أو إزالة القشور والالتزام بإرشادات الاستخدام، والتخفيف، والغسيل، والتجفيف، والتعامل، والتخزين الآمن للمستحضر.

### معلومات مهمة

- تجنب استخدام جهاز تعقيم البخار المضغوط أو أي نوع آخر من أجهزة التنظيف بالبخار.
- تجنب استخدام مستحضرات التنظيف القوية التي تحتوي على أحماض.
- يحظر تماماً توجيه الرذاذ الصادر من منظف بالضغط العالي إلى المنتج مباشرةً.
- لتطهير السطح، يمكن استخدام المُطهرات التي تحتوي على الكلور وفقاً لمواصفات المنتج واحتياطات السلامة الخاصة بهذه المنتجات.

## الصيانة

يبلغ عمر الخدمة المتوقع لرافعة حوض الغسيل 10 أعوام، شريطة إجراء أعمال الصيانة على النحو الموضح أدناه.

يوصى بتشغيل المحركات الموجودة بالمنتج أسبوعيًا بأقصى أوضاع لها عن طريق رفع المنتج حتى الارتفاع الكامل له ثم خفضه إلى أدنى موضع، لكي يتم تشحيم القطع الداخلية.

يوصى بإجراء فحص الصيانة مرة كل عام.

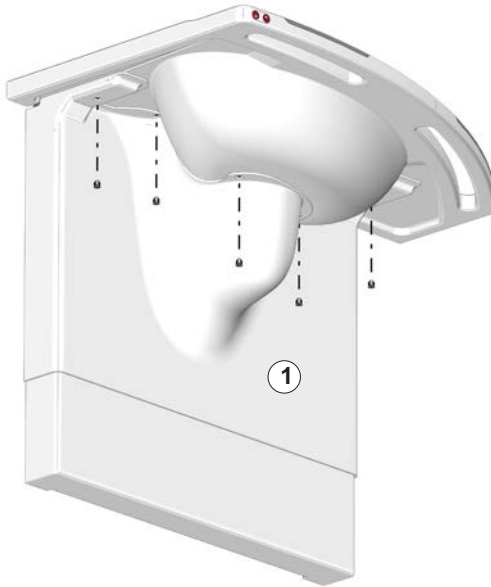
### فحص الصيانة

ارفع حوض الغسيل إلى أعلى مستوى ممكن.

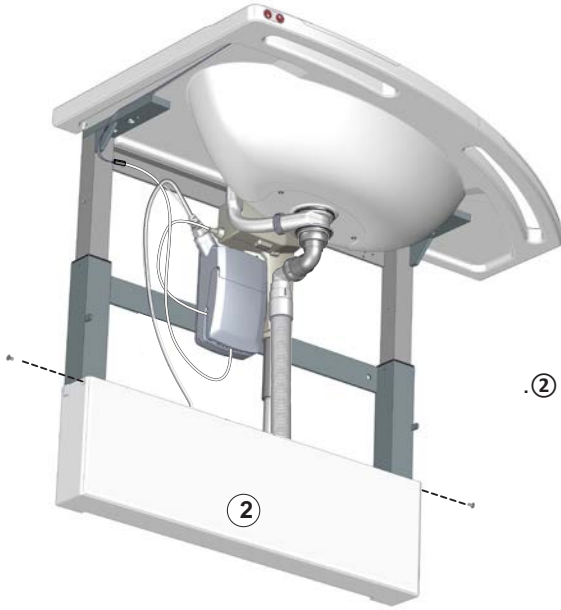


افصل مصدر الطاقة الرئيسي قبل رفع الأغطية.

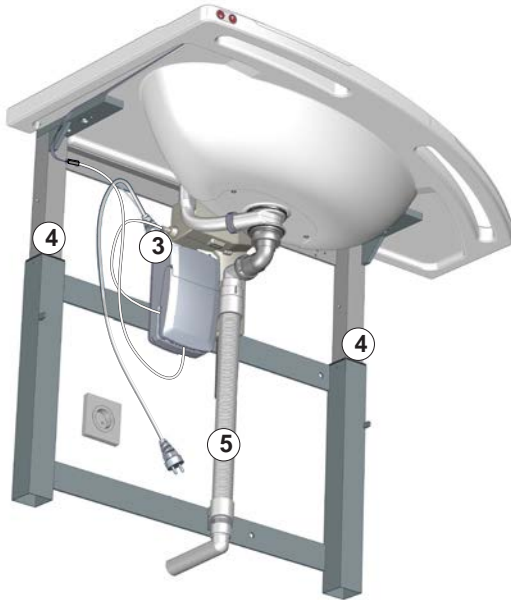
بالنسبة للطرز R4828، وR4822، وR4827، وR4850، وR4855، وR4852، وR4857



قم بإزالة البراغي والغطاء الأمامي العلوي ①.



قم بإزالة البراغي والغطاء الأمامي السفلي ②.



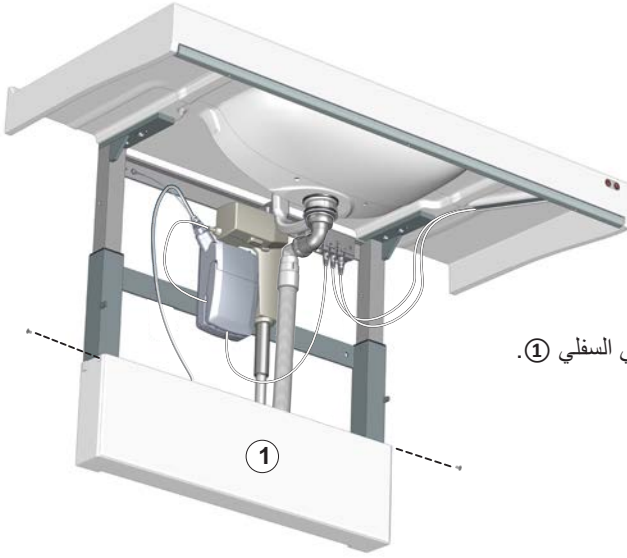
تحقق من جميع الوصلات الكهربائية ③.

قم بتشحيم الأنابيب المربعة الداخلية ④  
وذراع التشغيل ⑤.

أعد تثبيت الغطاء الأمامي والعلوي.

أعد توصيل مصادر الطاقة الرئيسية.

اسحب حوض الغسيل إلى أسفل مستوى  
ممكن، ثم ارفعه مجددًا إلى المستوى العلوي  
لتوزيع زيت التشحيم.

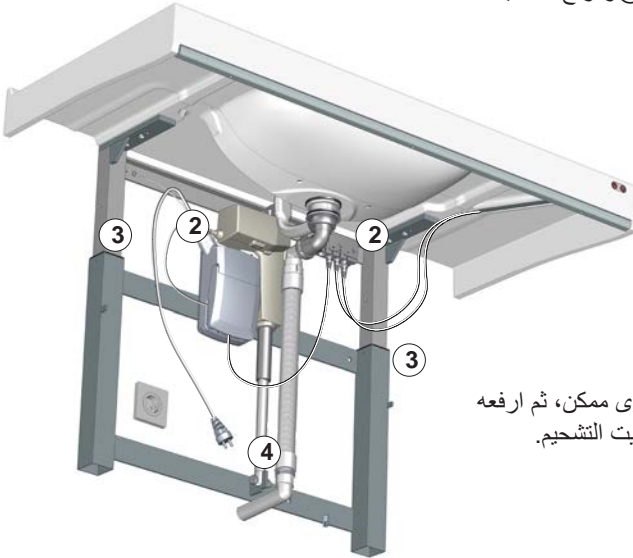


قم بإزالة البراغي والغطاء الأمامي السفلي ①.

تحقق من جميع الوصلات الكهربائية ②.

قم بتشحيم الأنابيب المربعة الداخلية ③ وذراع التشغيل ④.

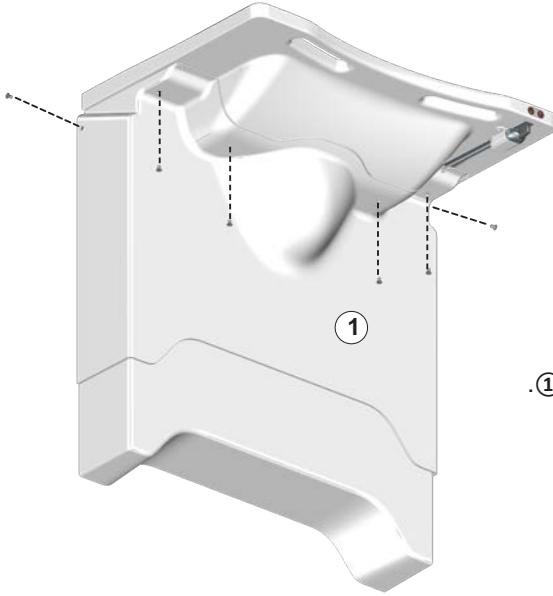
أعد تثبيت الغطاء الأمامي والعلوي.



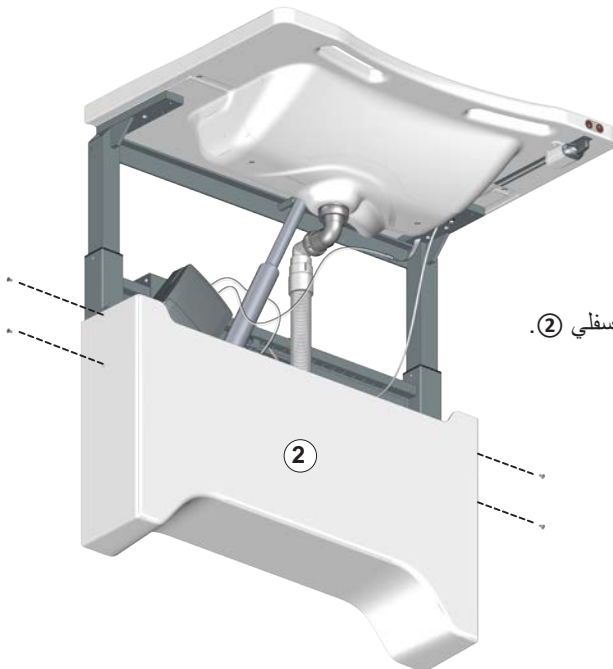
أعد توصيل مصادر الطاقة الرئيسية.

اسحب حوض الغسيل إلى أسفل مستوى ممكن، ثم ارفعه مجدداً إلى المستوى العلوي لتوزيع زيت التشحيم.

ارفع حوض الغسيل إلى أعلى  
مستوى ممكن.



قم بإزالة البراغي والغطاء الأمامي العلوي ①.



قم بإزالة البراغي والغطاء الأمامي السفلي ②.



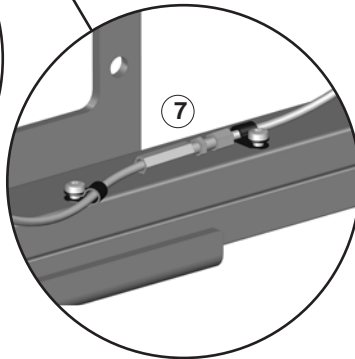
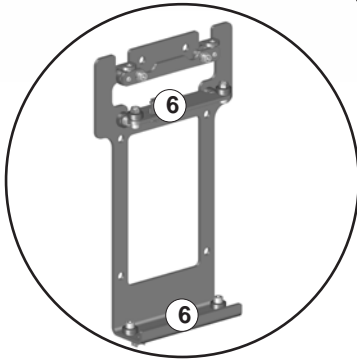


افحص جميع الوصلات الكهربائية ①.

قم بتشحيم الأنابيب المربعة الداخلية ② وذراع التشغيل ③.

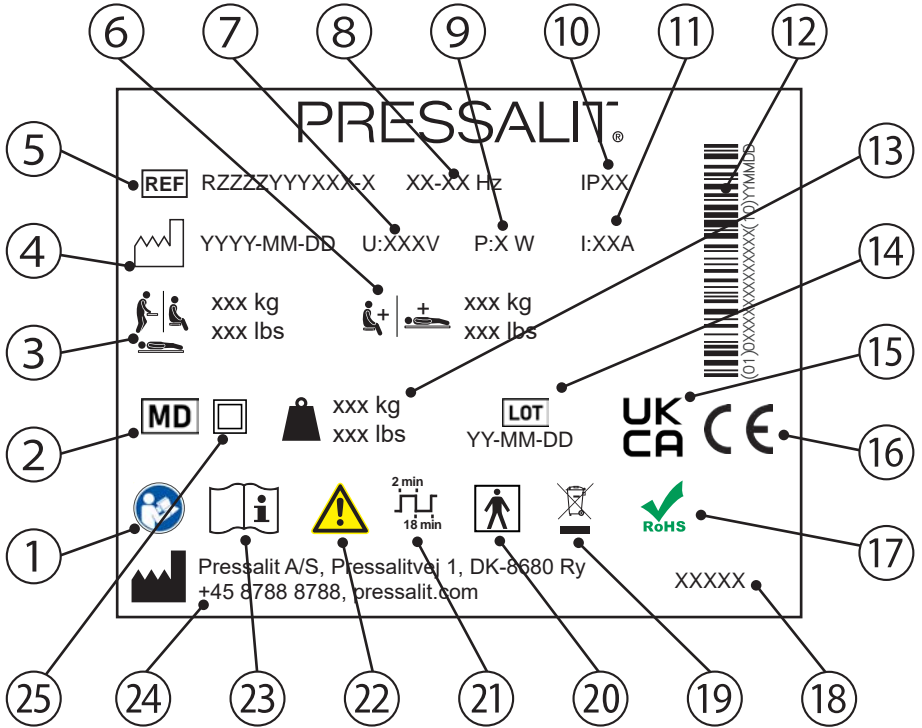
قم بتشحيم القضبان ④ والقفل ⑤ والمحامل ⑥ لآلية الانزلاق.

افحص كابل آلية القفل للتحقق مما إذا كان مرتخيًا جدًا. وإذا كان كذلك، فأحكام ربطه باستخدام برغي الضبط ⑦.



أعد تثبيت الغطاء الأمامي والعلوي، وأعد توصيل مصادر الطاقة الرئيسية. اسحب حوض الغسيل إلى أسفل مستوى ممكن، ثم ارفعه مجددًا إلى المستوى العلوي لتوزيع زيت التشحيم. وأيضًا حرّك رافعة حوض الغسيل إلى أقصى موضع لها على اليمين واليسار.

## ملصق تعريف المنتج



1 راجع دليل الاستخدام

2 جهاز طبي

3 أقصى وزن للمستخدم

4 تاريخ الإنتاج

5 رقم السلعة

6 الحمولة القصوى

7 الجهد الكهربائي لمصدر الطاقة الرئيسي

8 التردد

9 أقصى استهلاك للطاقة

10 فئة IP

11 التيار الكهربائي

12 الرمز الشريطي GS1-128

13 وزن المنتج

14 كود المجموعة

15 أُجري تقييم المطابقة للمملكة المتحدة

هذه المنتجات حاملة لعلامة CE بموجب الاشتراطات السارية في:  
• لائحة (الاتحاد الأوروبي) 745/2017 (5 أبريل 2017) بشأن الأجهزة الطبية.  
• توجيه المجلس الأوروبي EC/42/2006 (بتاريخ 17 مايو 2006) بشأن الآلات.  
• توجيه المجلس الأوروبي EC/65/2011 (بتاريخ 8 يونيو 2011) بشأن RoHS.

يمكن الاطلاع على إعلان المطابقة على [pressalit.com](http://pressalit.com)

17 لا يحتوي هذه المنتج على أي مواد خطرة مذكورة في توجيه مجلس الاتحاد الأوروبي رقم EC/65/2011 حول الحد من المواد الخطرة.

18 اسم المنتج (إن وُجد)

19 لا تتخلص من المنتج باعتباره نفايات محلية غير مصنفة. يجب تجميع المنتج على حدة وإعادةه إلى خدمة إعادة التدوير المخصصة.

20 جزء يلامس المريض من النوع BF جزء من المنتج يلامس المريض بالضرورة بصورة مادية خلال الاستخدام العادي لأداء وظيفته. يتوافق المنتج مع متطلبات معايير IEC 60601-1 لتوفير الحماية من الصدمات الكهربائية.

21 دورة العمل

22 راجع الدليل للتعرف على معلومات تحذيرية مهمة مثل التحذيرات والتنبيهات

23 راجع دليل الاستخدام

24 اسم الشركة المصنعة وعنوانها

25 جهاز كهربائي مزدوج العزل

## استكشاف المشكلات وإصلاحها

العرض	السبب	الإجراء
أضرار التشغيل لا تعمل.	عطل في مصدر الطاقة.	تأكد من سلامة جميع الأسلاك والقوابس وتوصيلها بصورة صحيحة. اتصل بشركة Pressalit A/S أو الوكيل المحلي في منطقتك.
المنتج يتحرك لأعلى ولأسفل بشكل غير متساوٍ.	لم يتم تشحيم الأنابيب المربعة الداخلية بشكل صحيح.	قم بتشحيم الأنابيب المربعة الداخلية على النحو الموضح في القسم "الصيانة".
لا يمكن تحريك المنتج على أحد جانبيه.	يمكن أن تعلق الخراطيم أو الكابلات.	قم بإزالة الغطاء (الأغطية) وتحقق من وجود أي شيء محشور.
	يمكن أن تعلق آلية القفل.	افحص القفل والكابل كما هو موضح تحت عنوان "الصيانة".
نظام السلامة لا يعمل.	خلل في المفاتيح الكهربائية.	تحقق لمعرفة ما إذا كانت وصلة واحدة أو أكثر من وصلات نظام السلامة عالقة أم لا، وإذا كانت عالقة، فحاول فك تشابكها. وإذا تعذر حل المشكلة، فاستبدل الوصلة (الوصلات). ولن يعمل نظام السلامة إلا عند توصيل التيار الكهربائي. ولا تنس إعادة الضبط كما هو موضح في القسم "إعادة ضبط رافعة حوض الغسيل".

اتصل بشركة Pressalit أو الوكيل الذي تتعامل معه في حالة تعذر إصلاح المشكلة. لا تحاول إصلاح المنتج بنفسك، حيث سيؤدي ذلك إلى إبطال الضمان.

## التوافق الكهرومغناطيسي

الجهاز مناسب للاستخدام في المنزل أو في مراكز الرعاية النهارية أو المراكز النهارية للأشخاص من ذوي الإعاقة الجسدية أو العقلية أو في المستشفيات باستثناء تلك الأجهزة التي بالقرب من المعدات الجراحية ذات التردد العالي النشطة والغرف المحمية بالترددات الراديوية المزودة بأنظمة طبية للتصوير بالرنين المغناطيسي مع ارتفاع كثافة الاضطرابات الكهرومغناطيسية.

لا يشمل الجهاز أي وظيفة مرتبطة بالسلامة الأساسية أو الأداء الأساسي. في حال ضعف أداء المنتج أو تدهوره بسبب الاضطرابات الكهرومغناطيسية، لا يزال تظل سلامة المستخدم بلا مسأومة.

الكابل	الطول
كابل الطاقة	3.2 م
كابل حلزوني يتم التحكم فيه باليد	5 م تقريباً ممتد

### تحذير!

- قد يؤدي استخدام ملحقات ومحولات وكابلات غير تلك التي سبق تحديدها أو المقدمة من الشركة المصنعة إلى زيادة الانبعاثات الكهرومغناطيسية أو انخفاض الحصانة الكهرومغناطيسية لهذه المعدات وينتج عن ذلك أداء غير صحيح.
- يجب استخدام معدات الاتصال اللاسلكية ذات الترددات الراديوية المحمولة (بما في ذلك الوحدات الملحقة مثل كابلات الهوائيات والهوائيات الخارجية) على مسافة لا تزيد عن 30 سم لأي جزء من الوحدة، بما في ذلك الكابلات الخاصة بها، لتجنب أي تدهور في أداء هذه الوحدة.
- يجب تفادي استخدام هذه المعدات بالقرب من معدات أخرى أو ملاصقة لها، لأنها يمكن أن تؤدي إلى إعاقة التشغيل بطريقة صحيحة. إذا كان هذا الاستخدام ضرورياً، فينبغي مراعاة هذه المعدات والمعدات الأخرى للتحقق من أنها تعمل بصورة طبيعية.

## الحصانة الكهرومغناطيسية

التفريغ الإلكترونيستاتيكي	
يجب ألا يتأثر المنتج بالتفريغ الإلكترونيستاتيكي بين الشخص والمنتج بطريقة تؤدي إلى بدء الإجراءات أو تجعل المكونات معيبة.	
مستوى اختبار الحصانة	معيار الاختبار
وصلة +/- 8 كيلو فولت هواء +/- 2، 4، 8، 15 كيلو فولت	2-4-EN 61000
مجالات الكهرومغناطيسية الناجمة عن الترددات الراديوية	
يجب ألا يتأثر المنتج بالإشارات الناجمة عن الترددات الراديوية، على سبيل المثال، من هواتف محمول أو جهاز لاسلكي، هذا قد يتسبب في اتخاذ المنتج لإجراء أو تلف المكونات.	
مستوى اختبار الحصانة	معيار الاختبار
15 فولت/متر 80 ميغا هرتز إلى 1000 ميغا هرتز 15 فولت/متر 1,01 جيجا هرتز إلى 6 جيجا هرتز 80 % 1 AM كيلو هرتز	3-4-EN 61000

حصانة ضد مجالات التقارب من معدات الاتصال اللاسلكية ذات الترددات الراديوية

يجب ألا يتأثر المنتج بالإشارات الناجمة عن الترددات الراديوية، على سبيل المثال، من هاتف محمول أو جهاز لاسلكي، هذا قد يتسبب في اتخاذ المنتج لإجراء أو تلف المكونات.



مستوى اختبار الحصانة

معياري الاختبار

385 ميغا هرتز، 27 فولت / متر، 18 هرتز (50 PM % من موجة مربعة بدورة عمل)

450 ميغا هرتز، 28 فولت / متر، انحراف 5 +/- FM كيلو هيرتز، جيب الزاوية 1 كيلو هرتز

710 ميغا هرتز، 9 فولت / متر، 217 هرتز (50 PM % من موجة مربعة بدورة عمل)

745 ميغا هرتز، 9 فولت / متر، 217 هرتز (50 PM % من موجة مربعة بدورة عمل)

780 ميغا هرتز، 9 فولت / متر، 217 هرتز (50 PM % من موجة مربعة بدورة عمل)

810 ميغا هرتز، 28 فولت / متر، 18 هرتز (50 PM % من موجة مربعة بدورة عمل)

870 ميغا هرتز، 28 فولت / متر، 18 هرتز (50 PM % من موجة مربعة بدورة عمل)

930 ميغا هرتز، 28 فولت / متر، 18 هرتز (50 PM % من موجة مربعة بدورة عمل)

1720 ميغا هرتز، 28 فولت / متر، 217 هرتز (50 PM % من موجة مربعة بدورة عمل)

1845 ميغا هرتز، 28 فولت/متر، 217 هرتز (50 PM % من موجة مربعة بدورة عمل)

1970 ميغا هرتز، 28 فولت/متر، 217 هرتز (50 PM % من موجة مربعة بدورة عمل)


2450 ميغا هرتز، 28 فولت/متر، 217 هرتز (50 PM % من موجة مربعة بدورة عمل)


5240 ميغا هرتز، 9 فولت/متر، 217 هرتز (50 PM % من موجة مربعة بدورة عمل)

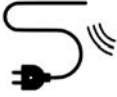
5500 ميغا هرتز، 9 فولت/متر، 217 هرتز (50 PM % من موجة مربعة بدورة عمل)

5785 ميغا هرتز، 9 فولت/متر، 217 هرتز (50 PM % من موجة مربعة بدورة عمل)


\*3-4-EN 61000

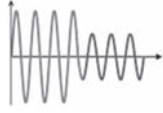
التحويل السريع من الكهرباء/الدقائق	
يجب ألا يتأثر المنتج بإشارات النبض السريع التي تدخل عبر السلك. يمكن أن يسبب هذا في أن تصبح المكونات معيبة أو قد يؤدي إلى أن يبدأ المنتج الإجراءات.	
مستوى اختبار الحصانة	معيار الاختبار
+/- 1 كيلو فولت، +/- 2 كيلو فولت 100 كيلو هرتز تردد التكرار	4-4-EN 61000


ارتفاع الحصانة	
يجب ألا يتأثر المنتج بطريقة تؤدي إلى بدء إجراءات أو جعل المكونات معيبة نتيجة الصواعق.	
مستوى اختبار الحصانة	معيار الاختبار
خط إلى خط: +/- 0.5 كيلو فولت، +/- 1 كيلو فولت خط إلى الأرض: +/- 0.5 كيلو فولت، +/- 1 كيلو فولت، +/- 2 كيلو فولت (لا ينطبق)	5-4-EN 61000

حصانة ضد الاضطرابات الناجمة عن التوصيل بمجالات ترددات الراديو	
يجب ألا تتأثر الأسلاك بمجالات ترددات الراديو الأخرى بطريقة تؤدي إلى بدء الإجراءات أو تجعل المكونات معيبة.	
مستوى اختبار الحصانة	معيار الاختبار
3 فولت (6 فولت في حزمة ISM وتردد راديو الهواة) 0,15 إلى 80 ميغا هرتز، 80 % AM عند 1 كيلو هرتز	6-4-EN 61000





حصانة المجال المغناطيسي لتردد الطاقة	
يجب ألا يتأثر المنتج بطريقة تؤدي إلى بدء إجراءات أو جعل المكونات معيبة نتيجة المجالات المغناطيسية.	
	معيار الاختبار
30 أمبير/متر، 60 هرتز	8-4-EN 61000


انحسارات الجهد	
يجب ألا يبدأ المنتج الإجراءات أو يحدها نتيجة انحسار في إمداد الطاقة.	
	معيار الاختبار
مستوى اختبار الحصانة	11-4-EN 61000
0 % $U_T$ ؛ 0.5 دورة عند $0^\circ$ و $45^\circ$ و $90^\circ$ و $135^\circ$ و $180^\circ$ و $225^\circ$ و $270^\circ$ و $315^\circ$ و 0 % $U_T$ ؛ دورة واحدة عند $0^\circ$ و 70 % $U_T$ ؛ 25 دورة عند $0^\circ$ أحادي الطور عند 0 درجة	


انقطاعات الجهد الكهربائي	
يجب ألا يبدأ المنتج الإجراءات أو يحد منها نتيجة توقف قصير لإمداد الطاقة.	
	معيار الاختبار
مستوى اختبار الحصانة	11-4-EN 61000
0 % $U_T$ ؛ 300 دورة	

## الانبعاثات الكهرومغناطيسية

الانبعاثات الناجمة عن الترددات الراديوية	
يجب ألا يُصدر المنتج الكثير من الضوضاء داخل الشبكة. يمكن أن يؤدي هذا إلى تعطل منتجات أخرى.	
فئة ومجموعة اختبار الانبعاثات	معيار الاختبار
فئة ب، مجموعة 1	EN 55011

الانبعاثات الناجمة عن الترددات الراديوية	
يجب ألا يبث هذا المنتج إشارات الترددات الراديوية في الغرفة. يمكن أن يؤدي هذا إلى تعطل منتجات أخرى.	
فئة ومجموعة اختبار الانبعاثات	معيار الاختبار
فئة ب، مجموعة 1	EN 55011

انبعاثات التيار الكهربائي المتوافقة	
يجب ألا يسحب هذا المنتج الطاقة بدون قصد من الشبكة.	
فئة ومجموعة اختبار الانبعاثات	معيار الاختبار
فئة أ	2-3-IEC 61000

تغيرات الجهد الكهربائي وتقلبات الجهد الكهربائي والوميض	
يجب ألا يؤثر المنتج على منتجات أخرى عند توصيله بالشبكة. على سبيل المثال، يمكن أن تكون هذه أضواء يمكن أن تبدأ في الوميض ومن ثم تزج الأشخاص الموجودين في الغرفة.	
فئة ومجموعة اختبار الانبعاثات	معيار الاختبار
تم اختياره وفقاً للمعيار.	3-3-EN 61000

## البيانات الفنية

مواد التصنيع	صلب مقاوم للصدأ مطلي بطبقة من المسحوق. مواد بلاستيكية (PVC، بوليستيرين، ABS).
فئة IP	تتسم القطع الكهربائية بتصنيف فئة الحماية من المواد الدخيلة IPX6. يحظر غمر المنتج في المياه، لكنه مصمم لتحمل رشاشات المياه القوية (الصادرة عن فوهة بقطر 12.5 ملم) من أي اتجاه.
مستوى ضغط الصوت المقيس	48 ديسيبل

## التخزين والنقل



- ينبغي أن تتراوح درجة حرارة نقل وتخزين الوحدة بين -10 درجات و50 درجة مئوية.
- ينبغي نقل الوحدة في عبوتها الأصلية دائماً.
- تجنّب تعريض العبوة إلى الصدمات والتأثيرات.
- لا تستخدم المنتج إذا كانت العبوة معيبة أو تالفة.

## التخلص من المنتج وإعادة تدويره

تحتوي الوحدة على مواد قابلة لإعادة الاستخدام. لا توجد أخطار أو مخاطر معروفة مرتبطة بالتخلص من المنتج. يمكن التخلص من جميع المكونات بعد تنظيفها وتعقيمها.

عند التخلص من المنتج، نوصي بتفكيك مكوناته وتقسيمها إلى مجموعات مختلفة من النفايات من أجل إعادة تدويرها أو حرقها.

يوفر الجدول التالي معلومات حول إعادة تدوير المنتج والتعامل معه.

المكونات القابلة لإعادة التدوير	المادة
الصلب	يمكن إعادة تدوير الصلب من خلال صهره وإدخاله كمادة ثانوية في إنتاج صلب جديد.
مواد بلاستيكية	استخدم أنظمة فرز المواد البلاستيكية وإعادة تدويرها في أماكن توفرها محليًا، بخلاف ذلك يتسم حرق البلاستيك بميزة إضافية تتمثل في توليد الطاقة والتي يمكن استخدامها، على سبيل المثال، لإنتاج الحرارة والطاقة بشكل مشترك.
المكونات الإلكترونية	يجب تجميع المكونات الإلكترونية على حدة وإعادتها إلى خدمة إعادة التدوير المخصصة.

www.pressalit.com

<b>en</b>	Visit our website to find your local dealer and get further information about Pressalit and our solutions for bathrooms and kitchens.
<b>dk</b>	Besøg vores hjemmeside for at finde din lokale forhandler og få yderligere oplysninger om Pressalit og vores løsninger inden for bad og køkken.
<b>de</b>	Besuchen Sie unsere Website, und finden Sie einen Händler in Ihrer Nähe, um mehr über Pressalit und unsere Lösungen für Badezimmer und Küchen zu erfahren.
<b>fr</b>	Rendez-vous sur notre site Internet pour trouver les coordonnées du revendeur le plus proche et obtenir des informations sur Pressalit et nos solutions pour la salle de bains et la cuisine.
<b>nl</b>	Breng een bezoek aan onze website om te zien waar u onze producten kunt kopen en voor meer informatie over Pressalit en onze oplossingen voor badkamers en keukens.
<b>sv</b>	Besök vår webbplats för att hitta en lokal återförsäljare och för mer information om Pressalit och våra lösningar för kök och badrum.
<b>no</b>	Besøk nettstedet vårt for å finne din lokale forhandler og få ytterligere informasjon om Pressalit og løsningene våre for bad og kjøkken.
<b>es</b>	Visite nuestro sitio Web para localizar su distribuidor local y obtener información adicional sobre Pressalit y nuestras soluciones para cuartos de baño y cocinas.
<b>it</b>	Visita il nostro sito web per trovare il rivenditore di zona e richiedere ulteriori informazioni su Pressalit e sulle nostre soluzioni per il bagno e la cucina.
<b>fi</b>	Verkkosivuiltamme löydät paikallisen jälleenmyyjäsi ja saat lisätietoja Pressalitista sekä kylpyhuone- ja keittiöratkaisuihastamme.
<b>pl</b>	Odwiedź naszą stronę www, gdzie znajdziesz lokalnego dystrybutora oraz informacje o Pressalit i naszych rozwiązaniach dla łazienek oraz kuchni.
<b>cs</b>	Navštivte naši webovou stránku, kde najdete svého místního prodejce a získáte další informace o společnosti Pressalit a našich řešeních pro koupelny a kuchyně.
<b>中文</b>	请访问我们的网站查询您所在地的经销商，以便获得关于Pressalit 以及我们其他浴室和厨房用品更详细的信息资料。
<b>العربية</b>	قم بزيارة موقع الويب الخاص بنا لمعرفة الوكيل المحلي في منطقتك والحصول على المزيد من المعلومات حول شركة Pressalit وحلول الحمامات والمطابخ التي نقدمها.

